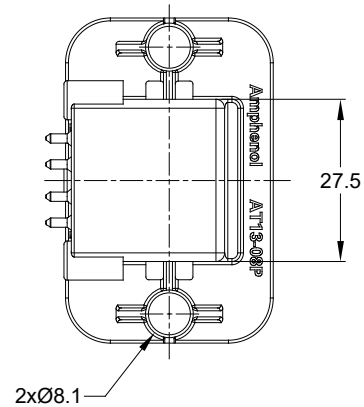
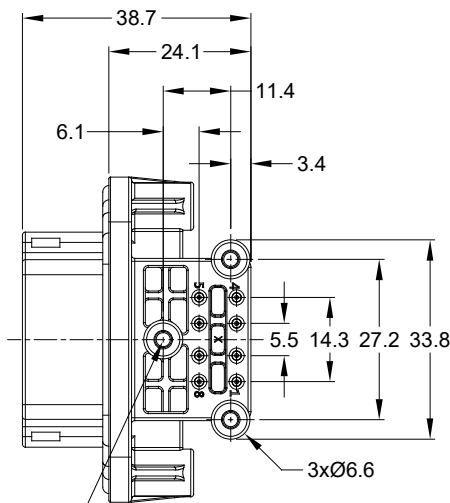
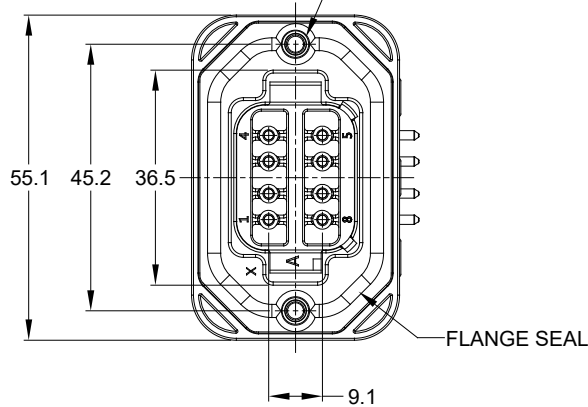
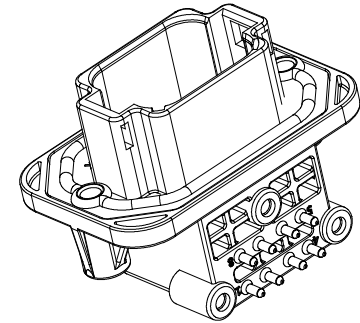
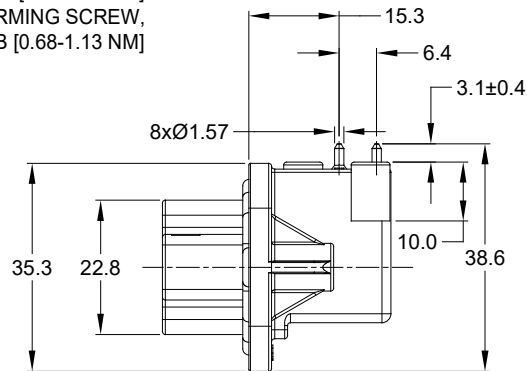


2xØ3.10±0.12x11.18 DP
 RECOMMENDED SCREW: 6-19 [M3.63 x 1.34]
 THREAD-FORMING SCREW,
 TORQUE: 11-15 IN-LB [1.24-1.70 NM]



3xØ2.79±0.12
 RECOMMENDED SCREW: 4-20 [M3.12 x 1.27]
 THREAD-FORMING SCREW,
 TORQUE: 6-10 IN-LB [0.68-1.13 NM]



NOTES: UNLESS OTHERWISE SPECIFIED

- MATERIAL:
 HOUSING: THERMOPLASTIC
 SEAL: SILICONE RUBBER
 CONTACT: COPPER ALLOY
- MODIFICATIONS: FLANGE, PCB MOUNT, RIGHT ANGLE
- SPECIFICATIONS:
 3.1 CURRENT RATING: 13 AMPS
 3.2 OPERATING TEMPERATURE: -55°C TO +125°C
 3.3 DIELECTRIC WITHSTANDING VOLTAGE: LESS THAN 2 MILLIAMPS CURRENT LEAKAGE @ 1500 VOLTS AC.
 3.4 INSULATION RESISTANCE: 1000 MEGOHMS MIN @ 25°C.
 3.5 MOISTURE RESISTANCE: IP67 (MATED CONDITION)
 3.6 MATING CYCLE DURABILITY: 100 CYCLES
 3.7 RoHS COMPLIANT
- MATING PART: AT06-08S* PLUG
 (* = MODIFICATIONS)
- ALL DIMENSIONS ARE FOR REFERENCE USE ONLY.

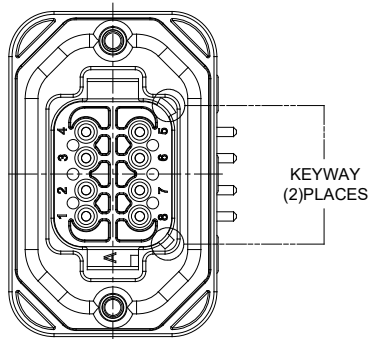
REVISIONS					
REV	ECO	DESCRIPTION	DATE	BY	APPR
A1	--	RELEASE	10MAY19	BROOK	TOMMY

AT13-08PX-BMXXCP		PART NUMBER		DESCRIPTION		ITEM
QUANTITY		MATERIALS LIST				
UNLESS OTHERWISE SPECIFIED 1) All dimensions are in metric(mm). 2) Tolerances are as follows: 1 PL DEC ±0.30 Fractions ±1/64 2 PL DEC ±0.15 Angles ±1° 3 PL DEC ±0.08 3) Note reference =		SIGNATURES		DATE		 Sine Systems - www.amphenol-sine.com 44724 Morley Drive Clinton Township, MI 48036
MATERIAL SPECIFICATIONS:		DRAWN: BROCK DING		10MAY19		
PROCESS SPECIFICATIONS:		CHECKED: ORION LI		10MAY19		
NEXT ASSY:		ENGINEER:		APPROVAL: TOMMY XIE		
THIS DRAWING IS SUPPLIED FOR INFORMATION ONLY. DESIGN FEATURES, SPECIFICATIONS AND PERFORMANCE DATA SHOWN HEREON ARE THE PROPERTY OF THE AMPHENOL CORPORATION. NO RIGHTS OF REPRODUCTION ARE IMPLIED. ALL DIMENSIONS ARE SUBJECT TO NORMAL MANUFACTURING VARIATIONS.		CUSTOMER:		10MAY19		BOARDLOCK PCB MOUNT RECEPT, 8PIN RA FLANGE, AT SERIES, COVERED REAR PIN SIZE: B TYPE: C- DWG NO: AT13-08PX-BMXXCP REVISION: A1 SCALE: NONE SHEET 1 OF 3

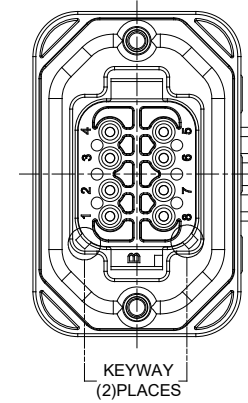
TITLE: BOARDLOCK PCB MOUNT RECEPT, 8PIN RA FLANGE, AT COVERED REAR PIN
 DWG NO: AT13-08PX-BMXXCP
 REV: A1
 SH: 1
 OF: 3

REVISIONS					
REV	ECO	DESCRIPTION	DATE	BY	APPR
A1	--	RELEASE	10MAY19	BROOK	TOMMY

P/N AT13-08PA-BMXXCP
KEY-A CONFIGURATION
STANDARD COLOR: GREY



P/N AT13-08PB-BMXXCP
KEY-B CONFIGURATION
STANDARD COLOR: BLACK



AT13-08PA-BMXXCP VARIANTS	
CONTACT PLATING	PART NUMBER
GOLD	AT13-08PA-BM01CP
TIN	AT13-08PA-BM05CP

AT13-08PB-BMXXCP VARIANTS	
CONTACT PLATING	PART NUMBER
GOLD	AT13-08PB-BM01CP
TIN	AT13-08PB-BM05CP

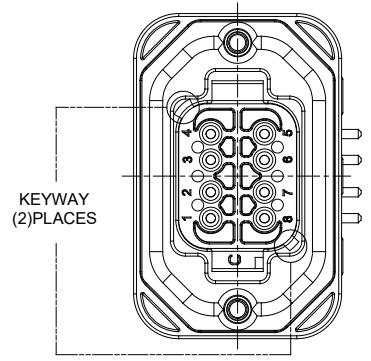
QUANTITY	AT13-08PX-BMXXCP PART NUMBER	DESCRIPTION	ITEM
MATERIALS LIST			

<small>UNLESS OTHERWISE SPECIFIED</small> 1) All dimensions are in metric (mm). 2) Tolerances are as follows: 1 PL DEC ±0.30 Fractions ±1/64 2 PL DEC ±0.15 Angles ±1° 3 PL DEC ±0.08 3) Note reference =	<small>SIGNATURES</small> DRAWN: BROOK.DWG CHECKED: ORION.LJ ENGINEER: APPROVAL: TOMMY.XIE	<small>DATE</small> 10MAY19 10MAY19	<h1>Amphenol</h1> Sine Systems - www.amphenol-sine.com 44724 Morley Drive Clinton Township, MI 48036		
	<small>MATERIAL SPECIFICATIONS:</small>	<small>CUSTOMER:</small>		BOARDLOCK PCB MOUNT RECEPT, 8PIN RA FLANGE, AT SERIES, COVERED REAR PINS	
	<small>PROCESS SPECIFICATIONS:</small>	<small>THIS DRAWING IS SUPPLIED FOR INFORMATION ONLY. DESIGN FEATURES, SPECIFICATIONS AND PERFORMANCE DATA SHOWN HEREON ARE THE PROPERTY OF THE AMPHENOL CORPORATION. NO RIGHTS OF REPRODUCTION ARE IMPLIED. ALL DIMENSIONS ARE SUBJECT TO NORMAL MANUFACTURING VARIATIONS.</small>			<small>SIZE</small> B C- <small>TYPE</small> AT13-08PX-BMXXCP <small>REVISION</small> A1
	<small>NEXT ASSY:</small>	<small>SCALE:</small> NONE			<small>SHEET</small> 2 <small>OF</small> 3

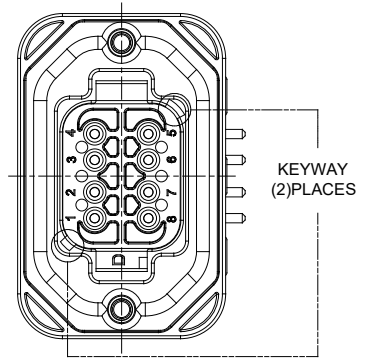
TITLE: BOARDLOCK PCB MOUNT RECEPT, 8PIN, RA FLANGE, AT SERIES, COVERED REAR PINS DWG NO: AT13-08PX-BMXXCP REV: A1 SH: 2 OF: 3

REVISIONS					
REV	ECO	DESCRIPTION	DATE	BY	APPR
A1	-	RELEASE	10MAY19	BRROK	TOMMY

P/N AT13-08PC-BMXXCP
KEY-C CONFIGURATION
STANDARD COLOR: GREEN

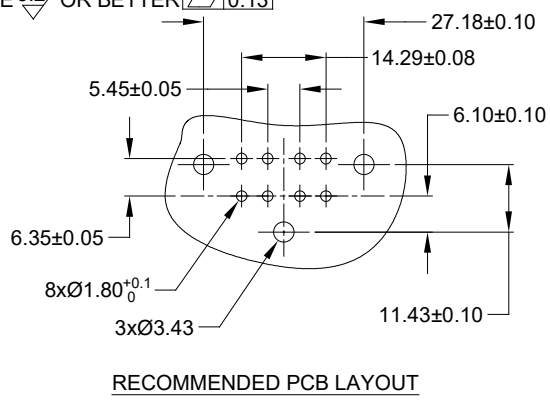
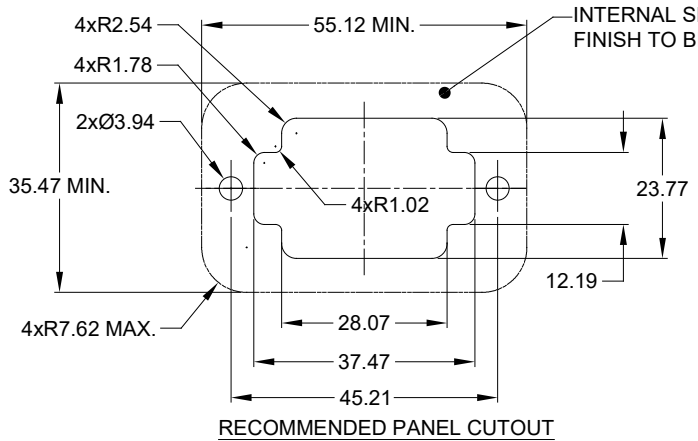


P/N AT13-08PD-BMXXCP
KEY-D CONFIGURATION
STANDARD COLOR: BROWN



AT13-08PC-BMXXCP VARIANTS	
CONTACT PLATING	PART NUMBER
GOLD	AT13-08PC-BM01CP
TIN	AT13-08PC-BM05CP

AT13-08PD-BMXXCP VARIANTS	
CONTACT PLATING	PART NUMBER
GOLD	AT13-08PD-BM01CP
TIN	AT13-08PD-BM05CP



AT13-08PX-BMXXCP		DESCRIPTION		ITEM
QUANTITY	PART NUMBER	MATERIALS LIST		
UNLESS OTHERWISE SPECIFIED 1) All dimensions are in metric(mm). 2) Tolerances are as follows: 1 PL DEC ±0.30 Fractions ±1/64 2 PL DEC ±0.15 Angles ±1° 3 PL DEC ±0.08 3) Note reference = Δ				
SIGNATURES		DATE		
DRAWN: BROOKDING		10MAY19		
CHECKED: ORIONLI		10MAY19		
ENGINEER:				
APPROVAL: TOMMY.XIE		10MAY19		
MATERIAL SPECIFICATIONS:		CUSTOMER:		
PROCESS SPECIFICATIONS:		THIS DRAWING IS SUPPLIED FOR INFORMATION ONLY. DESIGN FEATURES, SPECIFICATIONS AND PERFORMANCE DATA SHOWN HEREON ARE THE PROPERTY OF THE AMPHENOL CORPORATION. NO RIGHTS OF REPRODUCTION ARE IMPLIED. ALL DIMENSIONS ARE SUBJECT TO NORMAL MANUFACTURING VARIATIONS.		
NEXT ASSY:				
<p style="text-align: center;">Amphenol</p> <p style="text-align: center;">Sine Systems - www.amphenol-sine.com 44724 Morley Drive Clinton Township, MI 48036</p>				
BOARDLOCK PCB MOUNT RECEIPT, 8PIN RA FLANGE, AT SERIES, COVERED REAR PINS				
SIZE	TYPE	DWG NO.	REVISION	
B	C-	AT13-08PX-BMXXCP	A1	
SCALE:	NONE		SHEET	3 OF 3

TITLE: BOARDLOCK PCB MOUNT RECEIPT, 8PIN RA FLANGE, AT SERIES, COVERED REAR PINS
DWG NO.: AT13-08PX-BMXXCP
REV: A1
SH: 3
OF: 3