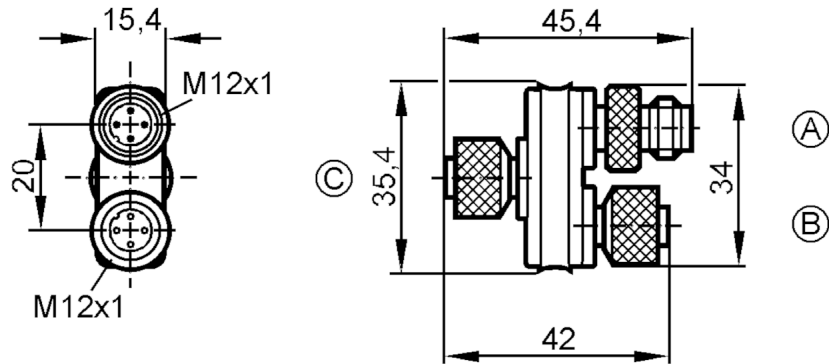


E11569



Y-splitter

Safety splitter box



Application

Design T-piece for the pseudo-serial connection of fail-safe sensors

Electrical data

| | | |
|-----------------------------------|-----|-------------------|
| Operating voltage | [V] | < 30 AC / < 36 DC |
| Max. current load per module/slot | [A] | 4 |
| Max. current load total | [A] | 4 |

Operating conditions

| | | |
|---------------------|------|----------|
| Ambient temperature | [°C] | -25...90 |
| Protection | | IP 68 |

Mechanical data

| | | |
|-----------------------|-----|----------------------|
| Weight | [g] | 31.4 |
| Materials | | PUR |
| Moulded-body material | | PUR |
| Material nut | | brass, nickel-plated |

Remarks

| | | |
|---------------|--|--------|
| Pack quantity | | 1 pcs. |
|---------------|--|--------|

E11569

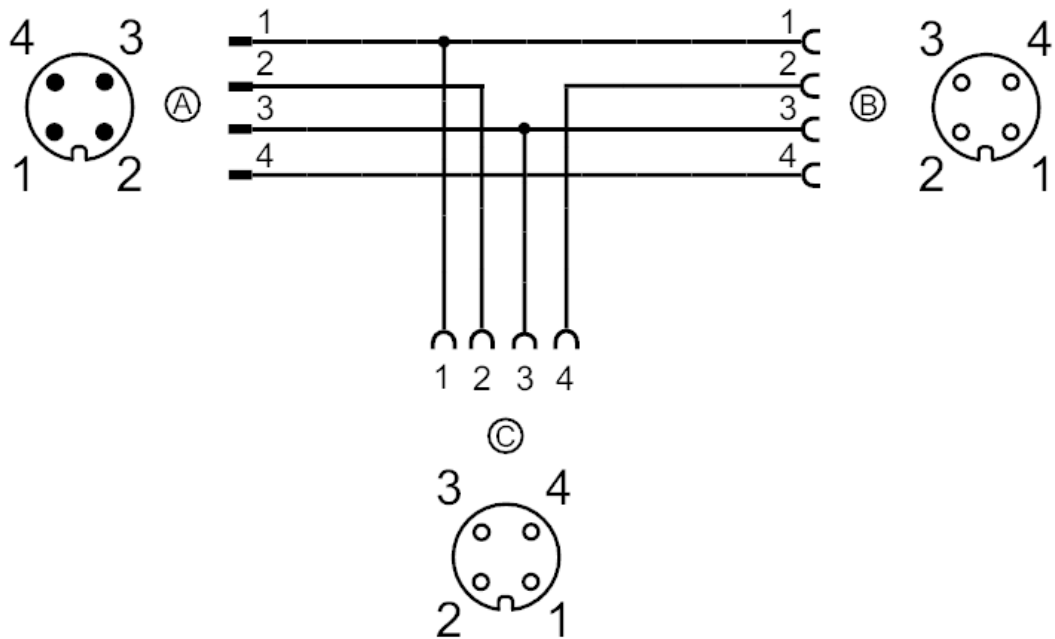


Y-splitter

Safety splitter box

Electrical connection

Connection



Electrical connection - plug

Connector: 1 x M12; Moulded body: PUR; Locking: brass, nickel-plated

Electrical connection - socket

Connector: 1 x M12; Moulded body: PUR; Locking: brass, nickel-plated

Connector: 1 x M12; Moulded body: PUR; Locking: brass, nickel-plated