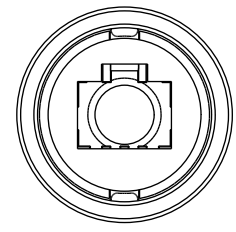
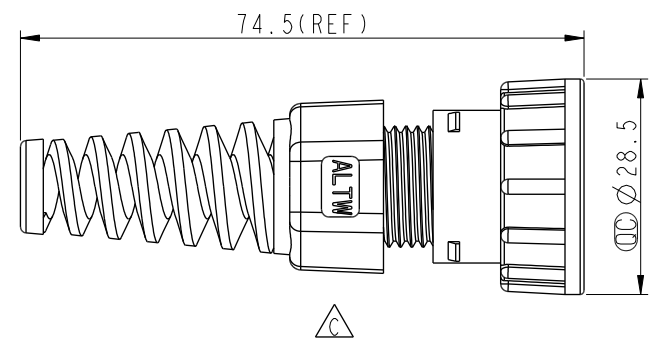
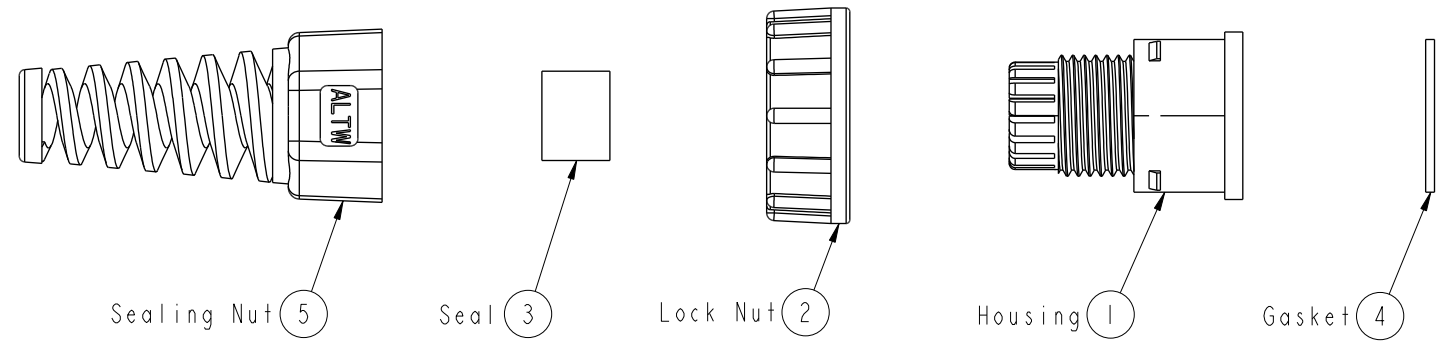


THIS DOCUMENT IS SUBJECT TO CHANGE WITHOUT NOTICE. IT IS CONFIDENTIAL AND A PROPERTY OF Amphenol LTW. DISCLOSURE TO THIRD PARTY HAS TO BE AUTHORIZED BY Amphenol LTW.

REV.	ECN NO.	DATE	SIGN	DESCRIPTION
C	LEN15A0378	2015/03/30	Ruru	Change Logo
D	C201856	2020/11/25	Vicky	$\triangle D$ X2
E	C231296	2023/10/11	Vicky	$\triangle E$ X1



- $\triangle D$ Note:
- * \varnothing Important Dimension To Check
 - * Waterproof Rate: IP67, Mated
 - $\triangle B$ * Housing: Thermoplastic, Black
 - $\triangle B$ * Lock Nut: Thermoplastic, Black
 - $\triangle B$ * Gasket: Rubber, Gray
 - $\triangle B$ * Sealing Nut: Thermoplastic, Black
 - * Seal: Rubber, Gray
 - * Seal For Cable OD $\varnothing 4.5\text{mm}-\varnothing 7.5\text{mm}$
 - $\triangle E$ * One set unassembled in one pe bag

UNIT: mm			TITLE RJ45 ASSEMBLY LOCK 00 M CONN M PIN $\triangle D$
TOLERANCE .X ± 0.25 .XX ± 0.1 .XXX ± 0.05 ANGLES $\pm 1^\circ$	SCALE 1:2	SIZE A4	SHEET 1 OF 1
REV. E	WC-REV. A.1	\varnothing : Inspection item	

Amphenol LTW
安費諾亮泰企業股份有限公司

ITEM NO. RJ-00AMMA-LL7001	DRAWN BY Ruru	DATE 2015-03-30
DWG NO. RJ-00AMMA-LL7001	CHECKED BY Rita	DATE 2015-03-30
CUSTOMER ALTW	APPROVED BY Lion	DATE 2015-03-30