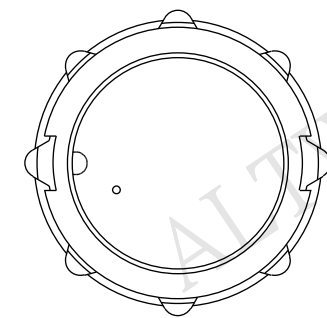
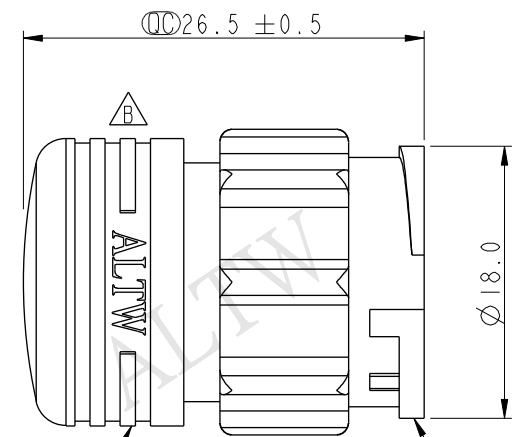
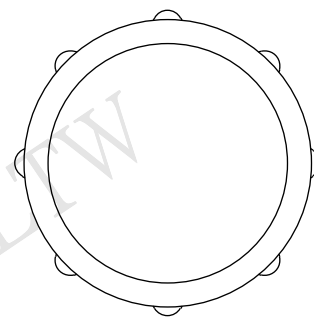


THIS DOCUMENT IS SUBJECT TO CHANGE WITHOUT NOTICE. IT IS CONFIDENTIAL AND A PROPERTY OF AMPHENOL LTW. DISCLOSURE TO THIRD PARTY HAS TO BE AUTHORIZED BY AMPHENOL LTW.

REV.	ECN NO.	DATE	SIGN	DESCRIPTION
A	Initial Release	2013/09/10	Vicky	Old Item No. CAP-WACCFLAI
B	LEN1510164	2014/12/26	Ruru	Change Logo

ALTW
 CONFIDENTIAL
 2014-12-26
 R&D DEPT.

ALTW
 DCC. DEPT.
 CONFIDENTIAL
 2015.01.20
 ISSUED



Inner Mold (2)
 Outer Mold (3)
 (1) Housing

Note:

- * (1) Important Dimension.
- * Waterproof Rate: IP67
- * Housing: Nylon+GF, Black

UNIT: mm		
TOLERANCE		
.X	±0.25	
.XX	±0.1	
.XXX	±0.05	
ANGLES	±1°	

TITLE Middle Size Waterproof Cap for F Conn F Pin		
SCALE 2:1	SIZE A4	SHEET 1 OF 1
REV. B	WC-REV. A.2	(1) Inspection item

Amphenol LTW
 安費諾亮泰企業股份有限公司

ITEM NO. CAP-WACFLMAI	DRAWN BY Ruru	DATE 2014-12-26
DWG NO. CAP-WACFLMAI	CHECKED BY Rita	DATE 2014-12-26
CUSTOMER ALTW	APPROVED BY Win	DATE 2014-12-26