

MINI MCR-SL-1CP-I-I - Loop-powered isolators



2864419

<https://www.phoenixcontact.com/us/products/2864419>

Please be informed that the data shown in this PDF document is generated from our online catalog. Please find the complete data in the user documentation. Our general terms of use for downloads are valid.



MCR loop-powered isolator, 1-channel, for the electrical isolation of current signals without auxiliary power, with screw connection

Product description

The 6.2 mm narrow passive loop-powered isolator MINI MCR-SL-...CP-I-I... is used for the electrical isolation and filtering of 0...20 mA and 4...20 mA standard current signals without additional supply voltage.

Your advantages

- Voltage drop at isolating amplifier of just 1.7 V
- Does not require additional auxiliary voltage
- Supplied by an input loop
- Two channels on a design width of just 6.2 mm
- Highly compact 2-conductor passive isolators for the electrical isolation and filtering of standard analog signals

Commercial data

Item number	2864419
Packing unit	1 pc
Minimum order quantity	1 pc
Sales key	C403
Product key	CK1213
Catalog page	Page 101 (C-7-2015)
GTIN	4017918974848
Weight per piece (including packing)	84.5 g
Weight per piece (excluding packing)	59 g
Customs tariff number	85437090
Country of origin	DE

MINI MCR-SL-1CP-I-I - Loop-powered isolators



2864419

<https://www.phoenixcontact.com/us/products/2864419>

Technical data

Product properties

Product type	Passive isolators
Product family	MINI Analog
No. of channels	1

Insulation characteristics

Overvoltage category	II
Pollution degree	2

Electrical properties

Electrical isolation	2-way isolation
Electrical isolation between input and output	yes
Limit frequency (3 dB)	75 Hz
Cold junction errors	≤
Typical cold point errors	≤
Maximum power dissipation for nominal condition	34 mW
Signal transmission behavior	In = Out
Step response (10-90%)	5 ms (at 600 Ω load)
Maximum temperature coefficient	≤ 0.002 %/K (of measured value / 100 Ω load)
Temperature coefficient, typical	< 0.002 %/K (of measured value / 100 Ω load)
Maximum transmission error	≤ 0.1 % (of final value)
Additional error, load-dependent	< 0.03 % (of measured value / 100 Ω load)

Electrical isolation Input/output

Rated insulation voltage	50 V AC/DC
Test voltage	1.5 kV AC (50 Hz, 60 s)
Insulation	Basic insulation in accordance with IEC/EN 61010

Supply

Supply voltage range	loop-powered, no external supply necessary
Power consumption	34 mW

Input data

Signal: Current

Number of inputs	1
Configurable/programmable	no
Max. voltage input signal	18 V
Current input signal	0 mA ... 20 mA 4 mA ... 20 mA
Max. current input signal	40 mA
Response current	approx. 190 μA
Input voltage limitation	< 2 V (20 mA)

MINI MCR-SL-1CP-I-I - Loop-powered isolators

2864419

<https://www.phoenixcontact.com/us/products/2864419>

Voltage dissipation	1.9 V (I = 20 mA)
---------------------	-------------------

Output data

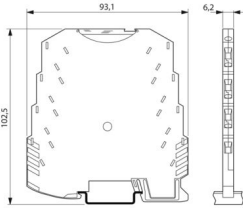
Signal: Current

Number of outputs	1
Configurable/programmable	no
Current output signal	0 mA ... 20 mA 4 mA ... 20 mA
Load/output load current output	< 600 Ω (at I = 20 mA output signal)
Ripple	< 10 mV _{rms} (at 600 Ω)

Connection data

Connection method	Screw connection
Stripping length	12 mm
Screw thread	M3
Conductor cross section rigid	0.2 mm ² ... 2.5 mm ²
Conductor cross section flexible	0.2 mm ² ... 2.5 mm ²
Conductor cross section AWG	26 ... 12

Dimensions

Dimensional drawing	
Width	6.2 mm
Height	93.1 mm
Depth	101.2 mm

Material specifications

Color	green (RAL 6021)
Housing material	PBT
Fire protection for rail vehicles (DIN EN 45545-2) R22	HL 1 - HL 2
Fire protection for rail vehicles (DIN EN 45545-2) R23	HL 1 - HL 2
Fire protection for rail vehicles (DIN EN 45545-2) R24	HL 1 - HL 2

Environmental and real-life conditions

Ambient conditions

Degree of protection	IP20
Ambient temperature (operation)	-20 °C ... 65 °C
Ambient temperature (storage/transport)	-40 °C ... 85 °C
Altitude	≤ 2000 m

MINI MCR-SL-1CP-I-I - Loop-powered isolators



2864419

<https://www.phoenixcontact.com/us/products/2864419>

Permissible humidity (operation)	5 % ... 95 % (non-condensing)
----------------------------------	-------------------------------

Approvals

CE

Certificate	CE-compliant
-------------	--------------

UKCA

Certificate	UKCA-compliant
-------------	----------------

UL, USA/Canada

Identification	UL 508 Recognized
	Class I, Div. 2, Groups A, B, C, D

Shipbuilding approval

Certificate	DNV GL TAA00000BW
-------------	-------------------

DNV GL data

Temperature	B
Humidity	B
Vibration	B
EMC	B
Enclosure	A

EMC data

Noise immunity	EN 61000-6-2
Note	When being exposed to interference, there may be minimal deviations.
Electromagnetic compatibility	Conformance with EMC directive
Noise emission	EN 61000-6-4

Electrostatic discharge

Standards/regulations	EN 61000-4-2
-----------------------	--------------

Electrostatic discharge

Comments	Criterion B
----------	-------------

Electromagnetic HF field

Designation	Electromagnetic RF field
Standards/regulations	EN 61000-4-3
Evaluation criterion	A

Fast transients (burst)

Designation	Fast transients (burst)
Standards/regulations	EN 61000-4-4
Evaluation criterion	B

Surge current load (surge)

Standards/regulations	EN 61000-4-5
-----------------------	--------------

MINI MCR-SL-1CP-I-I - Loop-powered isolators



2864419

<https://www.phoenixcontact.com/us/products/2864419>

Surge current load (surge)

Comments	Criterion B
----------	-------------

Conducted interference

Designation	Conducted interferences
Standards/regulations	EN 61000-4-6
Evaluation criterion	A

Standards and regulations

Electrical isolation	2-way isolation
----------------------	-----------------

Mounting

Mounting type	DIN rail mounting
Assembly note	The DIN rail connector can be used for bridging the supply voltage. It can be snapped onto a 35 mm EN 60715 DIN rail.
Mounting position	any

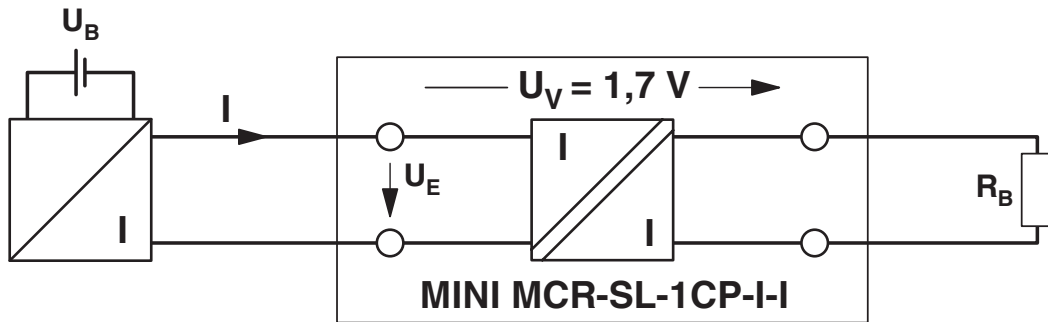
MINI MCR-SL-1CP-I-I - Loop-powered isolators

2864419

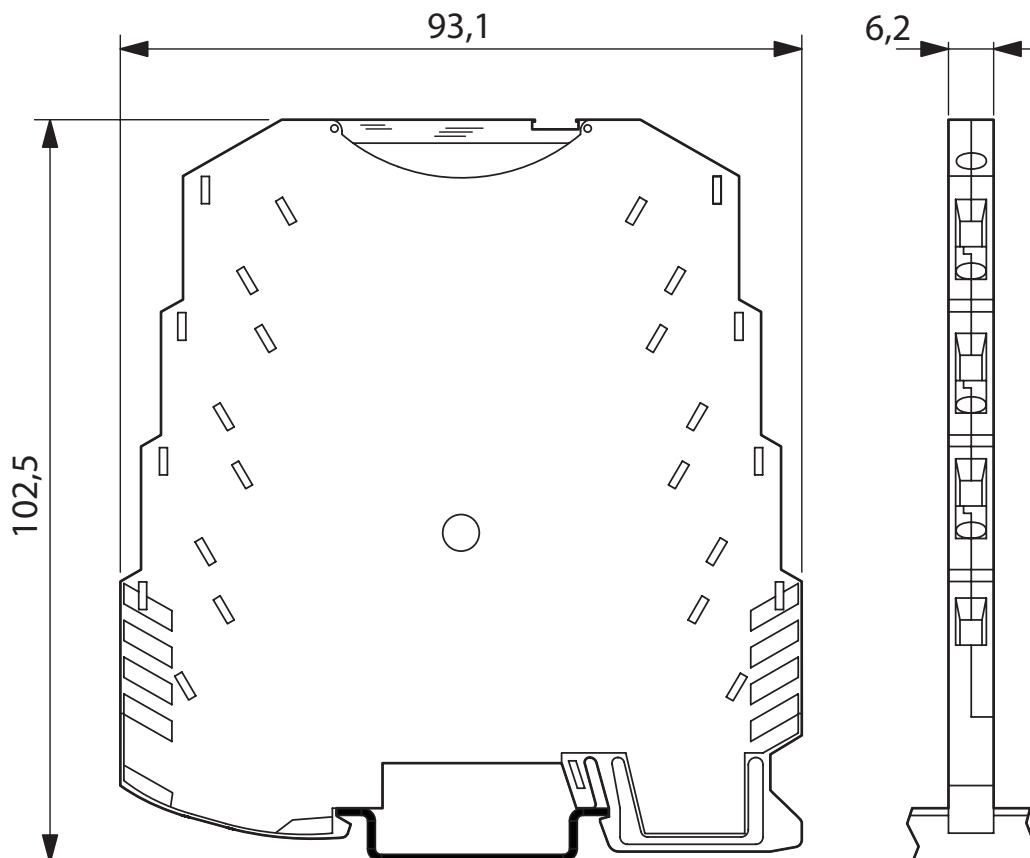
<https://www.phoenixcontact.com/us/products/2864419>

Drawings

Application drawing



Dimensional drawing



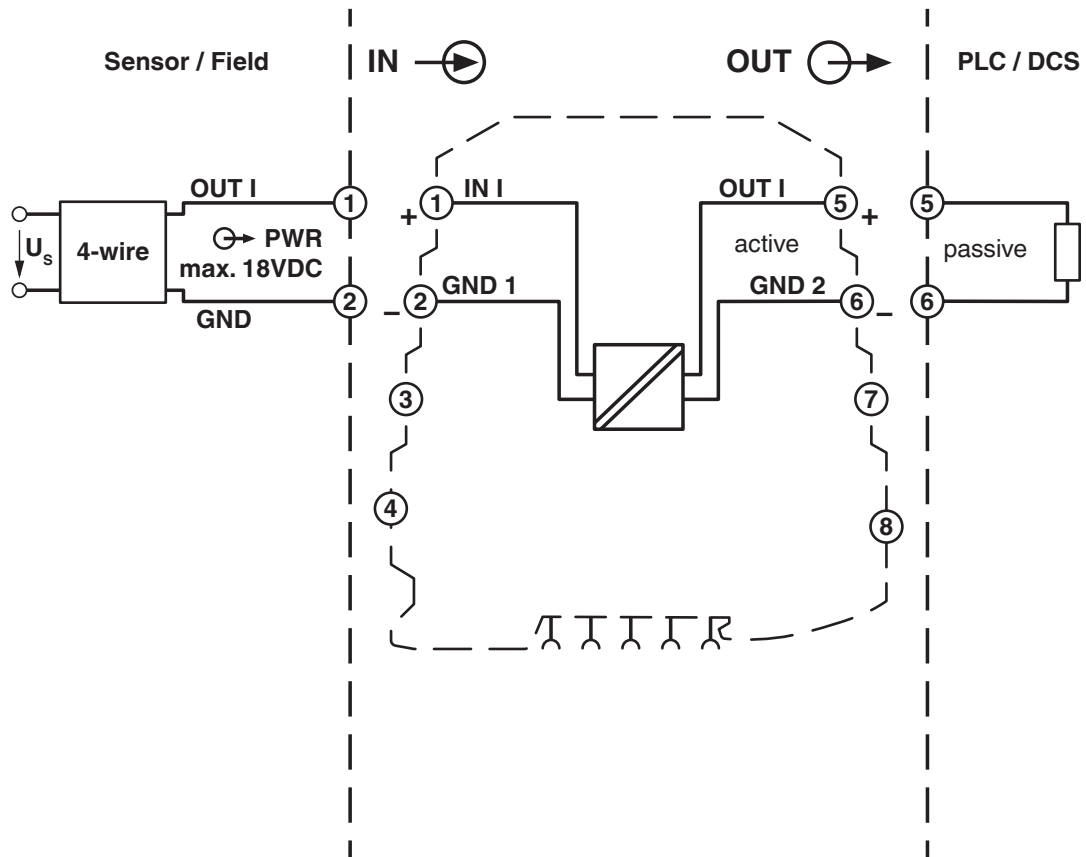
MINI MCR-SL-1CP-I-I - Loop-powered isolators



2864419

<https://www.phoenixcontact.com/us/products/2864419>

Block diagram



MINI MCR-SL-1CP-I-I - Loop-powered isolators



2864419

<https://www.phoenixcontact.com/us/products/2864419>

Approvals

To download certificates, visit the product detail page: <https://www.phoenixcontact.com/us/products/2864419>



cUL Recognized
Approval ID: FILE E 123528



UL Recognized
Approval ID: FILE E 123528



DNV GL
Approval ID: TAA00000BW



cUL Recognized
Approval ID: FILE E 199827



UL Recognized
Approval ID: FILE E 199827

cULus Recognized

cULus Recognized

MINI MCR-SL-1CP-I-I - Loop-powered isolators



2864419

<https://www.phoenixcontact.com/us/products/2864419>

Classifications

ECLASS

ECLASS-11.0	27210120
ECLASS-12.0	27210120
ECLASS-13.0	27210120

ETIM

ETIM 9.0	EC002653
----------	----------

UNSPSC

UNSPSC 21.0	39121000
-------------	----------

MINI MCR-SL-1CP-I-I - Loop-powered isolators



2864419

<https://www.phoenixcontact.com/us/products/2864419>

Environmental product compliance

EU RoHS

Fulfills EU RoHS substance requirements	Yes
Exemption	7(c)-I

China RoHS

Environment friendly use period (EFUP)	EFUP-50
	An article-related China RoHS declaration table can be found in the download area for the respective article under "Manufacturer declaration". For all articles with EFUP-E, no China RoHS declaration table issued and required.

EU REACH SVHC

REACH candidate substance (CAS No.)	No substance above 0.1 wt%
-------------------------------------	----------------------------

EF3.0 Climate Change

CO2e kg	0.806 kg CO2e
---------	---------------

MINI MCR-SL-1CP-I-I - Loop-powered isolators



2864419

<https://www.phoenixcontact.com/us/products/2864419>

Accessories

TC-D37SUB-AIO16-M-PS-UNI - Module carrier

2902934

<https://www.phoenixcontact.com/us/products/2902934>



Universal termination carrier for connecting 16 MINI Analog signal conditioners to digital or analog I/O cards, via D-SUB connector, 37-pos. (1:1 connection), with HART multiplexer connection

TC-D37SUB-ADIO16-M-P-UNI - Module carrier

2902933

<https://www.phoenixcontact.com/us/products/2902933>



Universal termination carrier for connecting 16 MINI Analog signal conditioners to digital or analog I/O cards, via D-SUB connector, 37-pos. (1:1 connection)

MINI MCR-SL-1CP-I-I - Loop-powered isolators

2864419

<https://www.phoenixcontact.com/us/products/2864419>



MINI MCR DKL - Transparent cover

2308111

<https://www.phoenixcontact.com/us/products/2308111>



Fold up transparent cover for MINI MCR modules with additional labeling option using insert strips and flat Zack marker strip 6.2 mm

MINI MCR-DKL-LABEL - Marking label

2810272

<https://www.phoenixcontact.com/us/products/2810272>



Label for extended marking of MINI MCR modules in connection with the MINI MCR-DKL

MINI MCR-SL-1CP-I-I - Loop-powered isolators



2864419

<https://www.phoenixcontact.com/us/products/2864419>

SZS 0,6X3,5 - Screwdriver

1205053

<https://www.phoenixcontact.com/us/products/1205053>



Actuation tool, for ST terminal blocks, insulated, also suitable for use as a bladed screwdriver, size: 0.6 x 3.5 x 100 mm, 2-component grip, with non-slip grip

Phoenix Contact 2024 © - all rights reserved

<https://www.phoenixcontact.com>

Phoenix Contact USA
586 Fulling Mill Road
Middletown, PA 17057, United States
(+717) 944-1300
info@phoenixcon.com