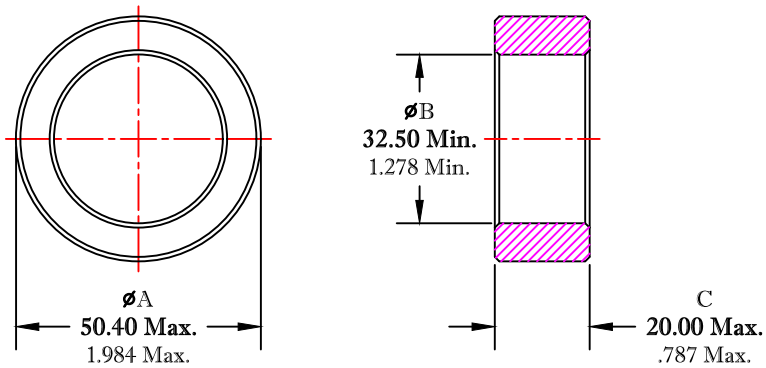


** Not all features are shown in this drawing. For more detailed information, please contact your Fair-Rite representative.

UNCONTROLLED ~CATALOG~ DRAWING

SIZE	PART NO.	REV.
B	5976022021	~



AFTER COATING

DIMENSIONS
BOLD NUMBERS ARE IN MILLIMETERS
 LIGHT NUMBERS ARE IN INCHES

ELECTRICAL SPECIFICATIONS						
$\Sigma l/A(\text{mm}^{-1})$	l_e (mm)	A_e (mm ²)	V_e (mm ³)	L_o (nH)	A_L (nH) @10kHz <10gauss	$\tan \delta/\mu_1$ @40kHz <1gauss
0.886	127	144	18270	1.418	14200±30%	≤50X10E-6

NOTES:

- 1 - THIS PART TO BE THERMOSET PLASTIC COATED.
- 2 - COATING THICKNESS = **0.30mm** (.012") Max.
- 3 - COATED TOROID TO WITHSTAND A MINIMUM BREAKDOWN VOLTAGE OF 1000 Vrms, WHEN UNIFORMLY APPLIED ACROSS THE "C" DIMENSION.

FR# 76

FAIR-RITE PRODUCTS CORP.						
TITLE COATED TOROID						
DRAWN BY J.SERENCISCS	DATE 07-18-2018	SIZE	PART NO.	REV.		
CHKD BY		B	5976022021	~		
APPRVD BY		SCALE	NONE	SHEET	1 of 1	