

50Ω Straight Cable Mount, N  
Connector, Plug, RG213/U

**RoHS  
Compliant**

Stock No.: 1250054C026

## FEATURES

- 50Ω Impedance
- N Connector
- Cable Mount



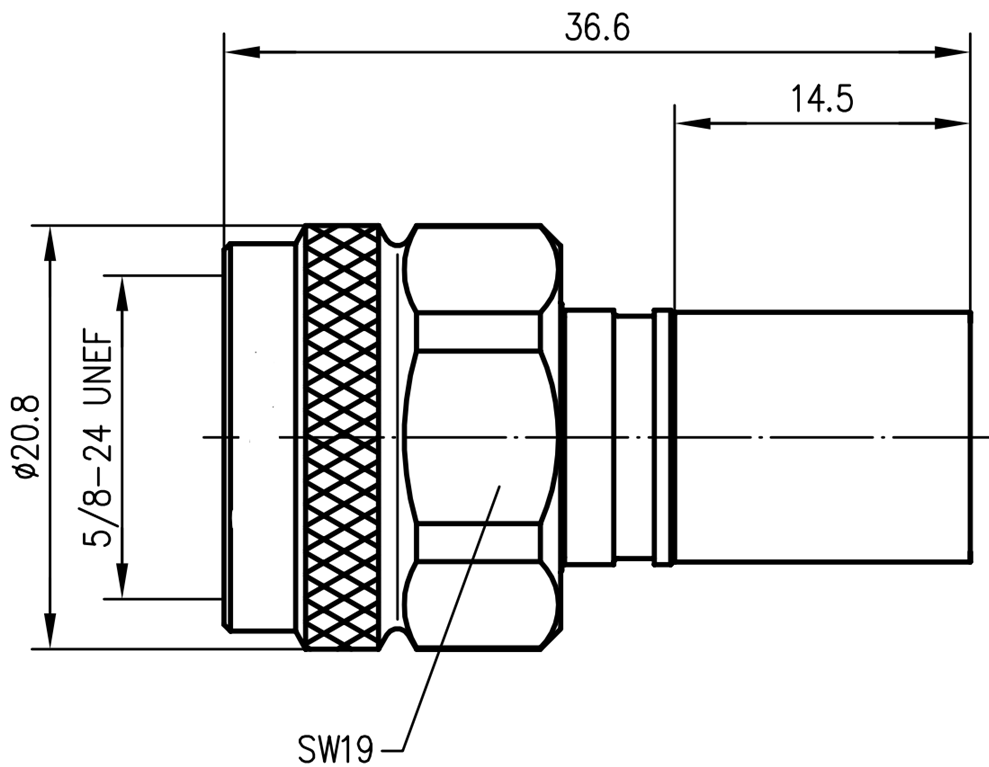
## Product Description

50 Ohm N Series weatherproof RF coaxial crimp plug connectors with a screw coupling, crimp termination, nickel plated body and silver-plated centre contact.

## General Specifications

Attribute	Value
Coaxial Connector Type	N Connector
Gender	Male
Mounting Type	Cable Mount
Impedance	50Ω
Termination Method	Crimp
Body Orientation	Straight
Cable Type	RG213/U
Operating Frequency	0 to 11GHz
Body Plating	Copper Nickel Alloy, White Bronze
Minimum Operating Temperature	-65°C
Maximum Operating Temperature	+165°C
Contact Material	Beryllium Copper, Bronze, Copper Nickel Lead Alloy
Contact Plating	Silver

Product Drawing



Dimensions: Millimeters (Inches)

### Part Number Table

Part Number	Description
1250054C026	50Ω Straight Cable Mount, N Connector, Plug, RG213/U

Important Notice: This data sheet and its contents (the "Information") belong to the members of the EASE group of companies (the "Group") or are licensed to it. No license is granted for the use of it other than for information purposes in connection with the products to which it relates. No license of any intellectual property rights is granted. The Information is subject to change without notice and replaces all data sheets previously supplied. The Information supplied is believed to be accurate, but the Group assumes no responsibility for its accuracy or completeness, any error in or omission from it or for any use made of it. Users of this data sheet should check for themselves the Information and the suitability of the products for their purpose and not make any assumptions based on information included or omitted. Liability for loss or damage resulting from any reliance on the Information or use of it (including liability resulting from negligence or where the Group was aware of the possibility of such loss or damage arising) is excluded. This will not operate to limit or restrict the Group's liability for death or personal injury resulting from its negligence. EASE is the registered trademark of Ease Electronics Co., Limited 2019.