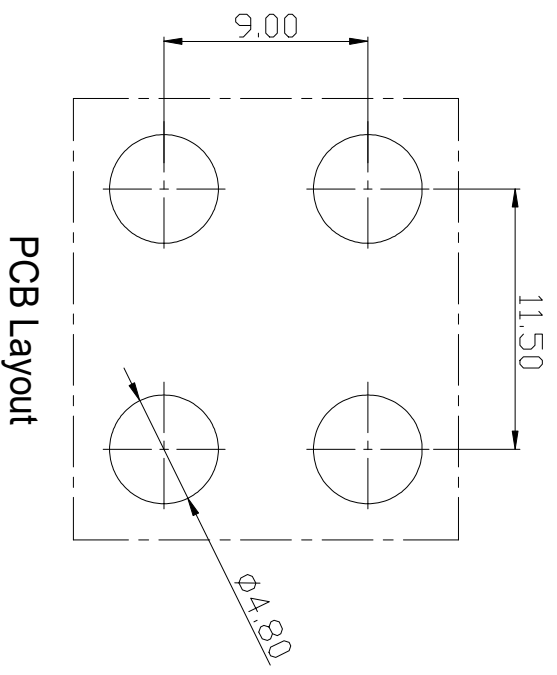
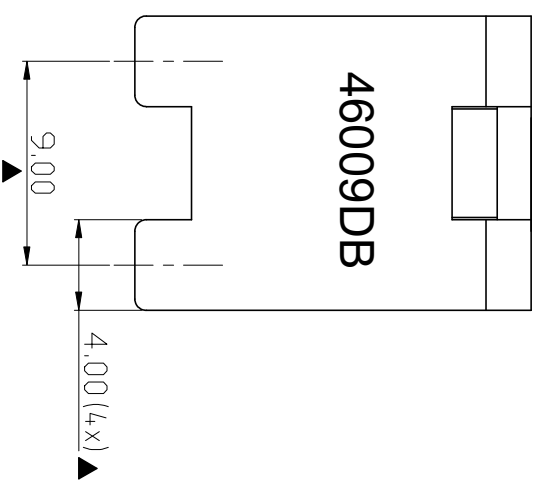
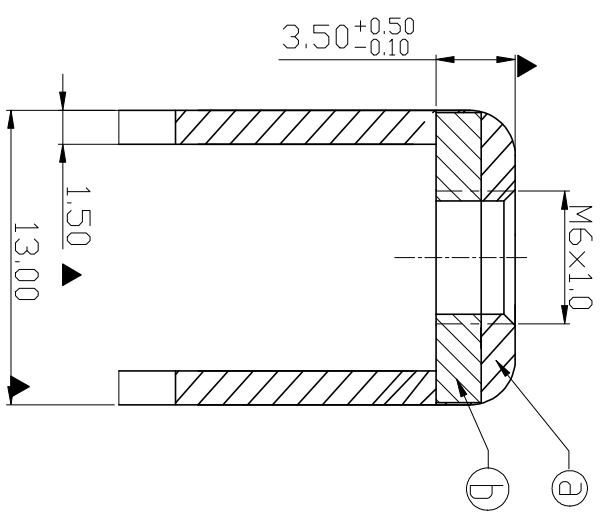
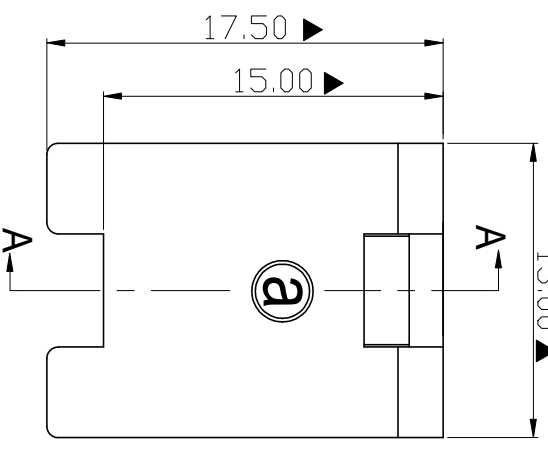


RoHS Compliant

Rev.	Sign	Date	Description	Approver
THIS IS CAD DRAWING, DO NOT REVISE MANUALLY!!!				

Technical Specification:
 1. Current: 120A.
 2. Torque: 18 lbf.in.
 3. Mark "▲" is the Critical dimension.



ITEM	PART NAME	DESCRIPTION	Q'ty
(b)	Spacer	Steel, Matte Tin Plated	1PCS
(a)	Terminal	Copper alloy, Matte Tin Plated	1PCS

Amphenol
ANYTEK

CUSTOMER COPY
 ALL RIGHTS RESERVED. REPRODUCTION OR ISSUE TO THIRD PARTIES IN ANY FORM WHATSOEVER IS NOT PERMITTED WITHOUT WRITTEN AUTHORITY FROM THE PROPRIETOR. PROPERTY OF ANYTEK TECHNOLOGY CO., LTD

TITLE	AMT46009DB Stamped Terminal		
PART NO.	AMT0460009DB00000G	DWG NO.	8AMT0027
APPROVED	CHECKED	DESIGNED	DRAWN
	Seamus 2023.10.19	Seamus 2023.10.19	
UNIT: mm		Tolerance	
SCALE: NONE		+0.60	
REV.: A0		-0.30	
SHEET: 01/01		0-6	
		ANGLES: ±1°	