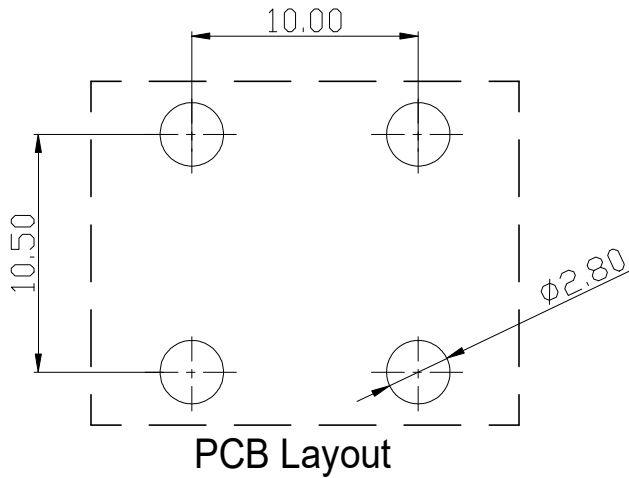
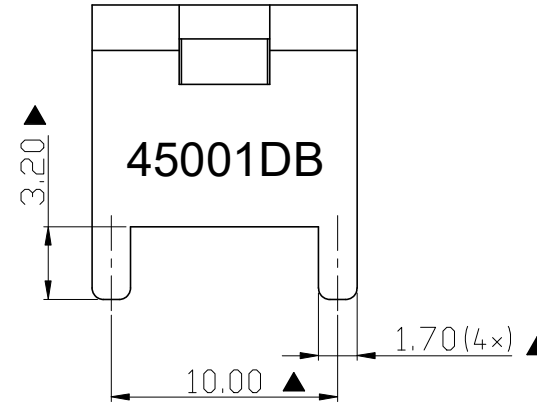
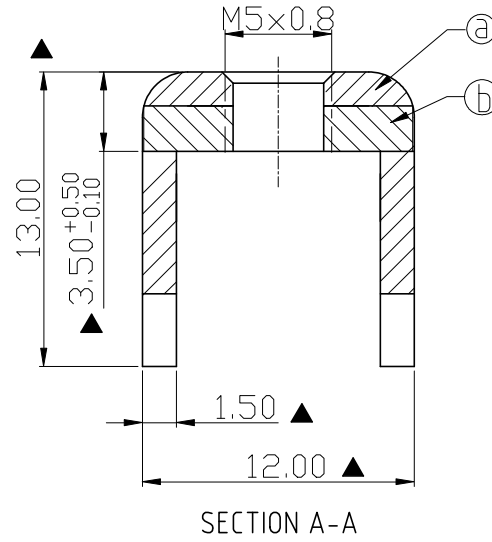
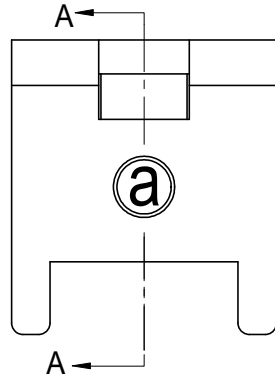
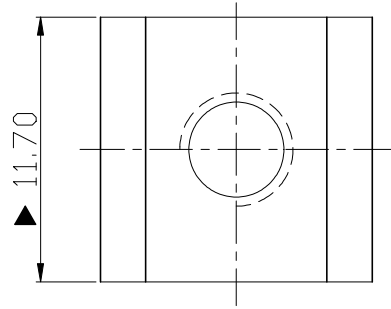


RoHS Compliant

Rev.	SIGN	DATE	DESCRIPTION	APPROVER
A0		2023.10.23		
THIS IS CAD DRAWING, DO NOT REVISE MANUALLY!!!				

Technical Specification:  
 1. Current: 70A.  
 2. Torque: 15 lbf.in.  
 3. Mark "▲" is the Critical dimension.



⑥	Spacer	Steel , Matte Tin Plated	1PCS
①	terminal	Copper alloy, Matte Tin Plated	1PCS
ITEM	PART NAME	DESCRIPTION	Q`ty

**Amphenol**  
**ANYTEK**

**CUSTOMER COPY**

ALL RIGHTS RESERVED. REPRODUCTION OR ISSUE TO THIRD PARTIES IN ANY FORM  
 WHATEVER IS NOT PERMITTED WITHOUT WRITTEN AUTHORITY FROM THE PROPRIETOR.  
 PROPERTY OF ANYTEK TECHNOLOGY CO., LTD

TITLE		AMT45001DB Stamped terminal		
PART NO.	AMT0450001DB0000G	DWG NO.	8AMT0023	
APPROVED	CHECKED	DESIGNED	DRAWN	CUST NO.
		Seamus 2023.10.23	Seamus 2023.10.23	
				Tolerance
				UNIT: mm
		SHEET: 01/01		SCALE: NONE
		REV.: A0		6-30 ±0.40
				0-6 ±0.30
				ANGLES ±1°