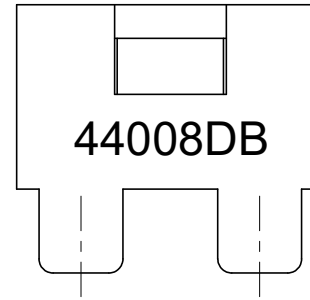
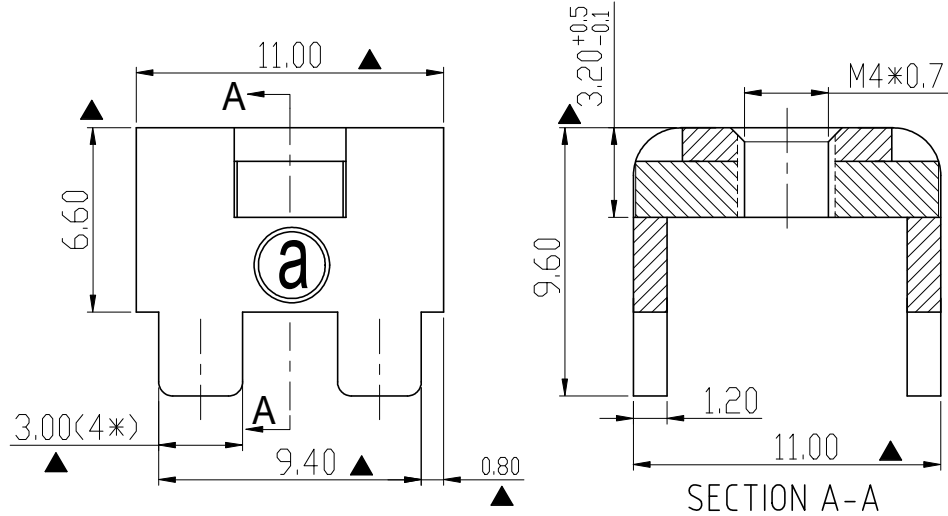


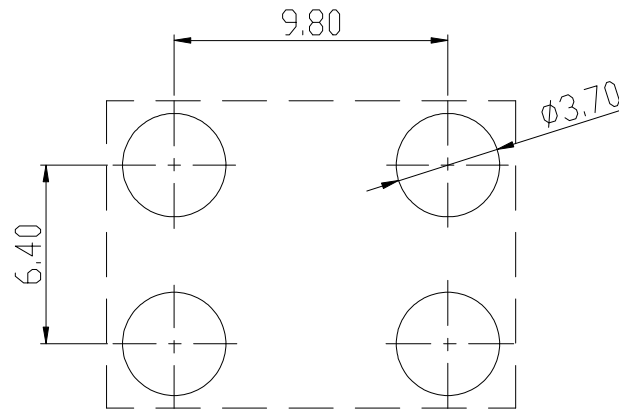
RoHS Compliant

Rev.	SIGN	DATE	DESCRIPTION	APPROVER
A0		2023.10.20		Guoxue
THIS IS CAD DRAWING, DO NOT REVISE MANUALLY!!!				



Technical Specification:

1. Current: 80A.
2. Torque: 13 lbf.in.
3. Mark "▲" is the Critical dimension.



PCB LAYOUT

ⓑ	Spacer	Steel , Matte Tin Plated	1PCS
ⓐ	terminal	Copper alloy, Matte Tin Plated	1PCS
ITEM	PART NAME	DESCRIPTION	Q`ty

Amphenol ANYTEK		CUSTOMER COPY <small>ALL RIGHTS RESERVED. REPRODUCTION OR ISSUE TO THIRD PARTIES IN ANY FORM WHATSOEVER IS NOT PERMITTED WITHOUT WRITTEN AUTHORITY FROM THE PROPRIETOR. PROPERTY OF ANYTEK TECHNOLOGY CO., LTD</small>			
		TITLE: AMT44008DB terminal		DWG NO.: 8AMT0013	
PART NO.: AMT0440008DB0000G		DWG NO.: 8AMT0013		CUST NO.:	
APPROVED:	CHECKED:	DESIGNED:	DRAWN:	Tolerance	
		Guoxue 2023.10.20	Guoxue 2023.10.20	>30 ±0.60 6-30 ±0.40 0-6 ±0.30 ANGLES ±1°	
				UNIT: mm	
		SHEET: 01/01		SCALE: NONE	
				REV.: A0	