

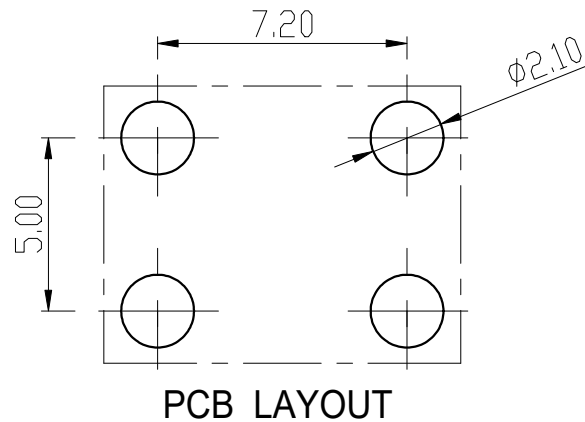
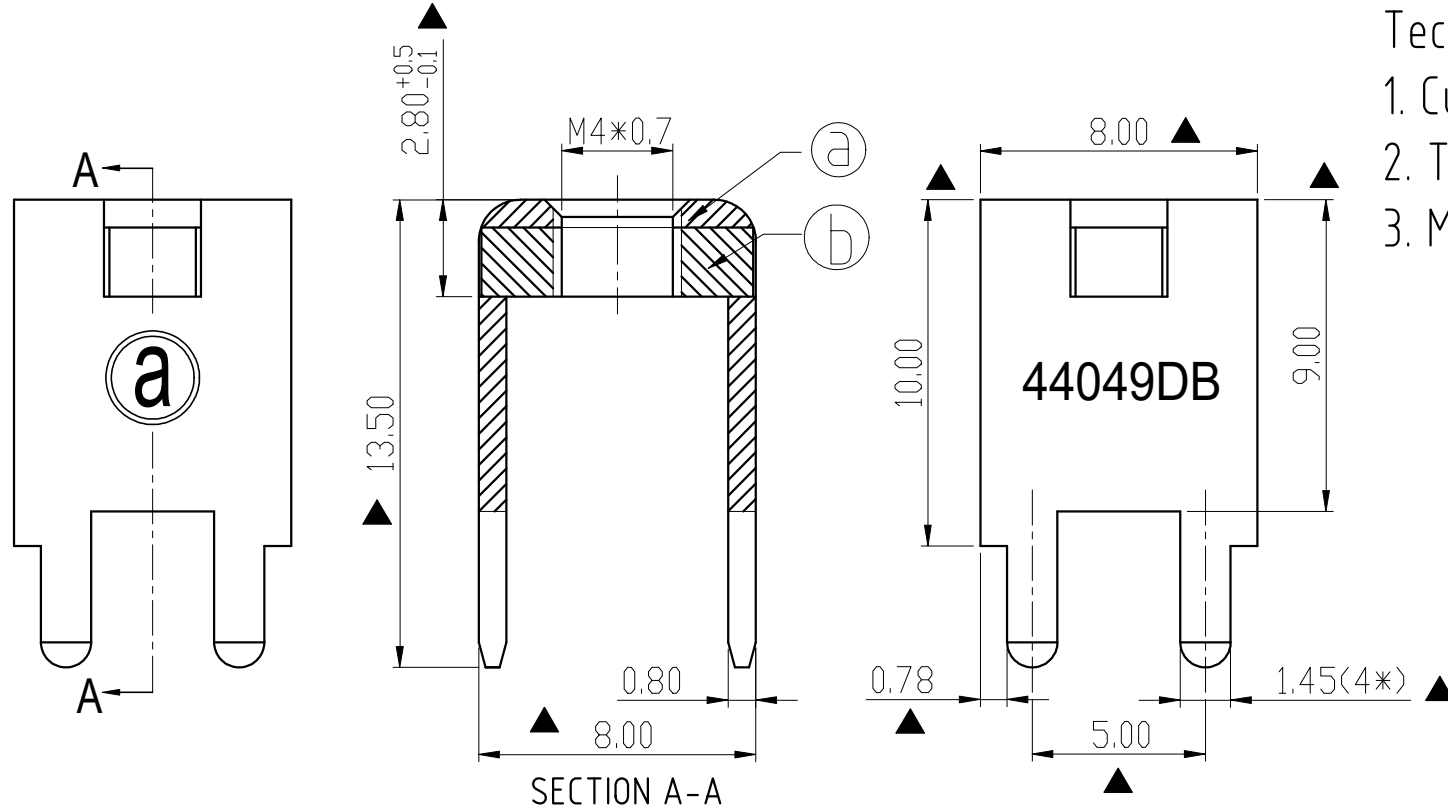
RoHS Compliant

Rev.	SIGN	DATE	DESCRIPTION	APPROVER
A0		2023.10.20		Guoxue

THIS IS CAD DRAWING, DO NOT REVISE MANUALLY!!!

Technical Specification:

1. Current: 30A.
2. Torque: 13 lbf.in.
3. Mark "▲" is the Critical dimension.



⑥	Spacer	Steel , Matte Tin Plated	1PCS
①	terminal	Copper alloy, Matte Tin Plated	1PCS
ITEM	PART NAME	DESCRIPTION	Q`ty

Amphenol
ANYTEK

CUSTOMER COPY

ALL RIGHTS RESERVED. REPRODUCTION OR ISSUE TO THIRD PARTIES IN ANY FORM WHATSOEVER IS NOT PERMITTED WITHOUT WRITTEN AUTHORITY FROM THE PROPRIETOR. PROPERTY OF ANYTEK TECHNOLOGY CO., LTD

TITLE		AMT44049DB terminal			
PART NO.		AMT0440049DB0000G		DWG NO.	8AMT0017
APPROVED	CHECKED	DESIGNED	DRAWN	CUST NO.	
		Guoxue	Guoxue		
		2023.10.20	2023.10.20		
					Tolerance
					UNIT: mm SCALE: NONE REV.: A0
				SHEET: 01/01	>30 ±0.60 6-30 ±0.40 0-6 ±0.30 ANGLES ±1°