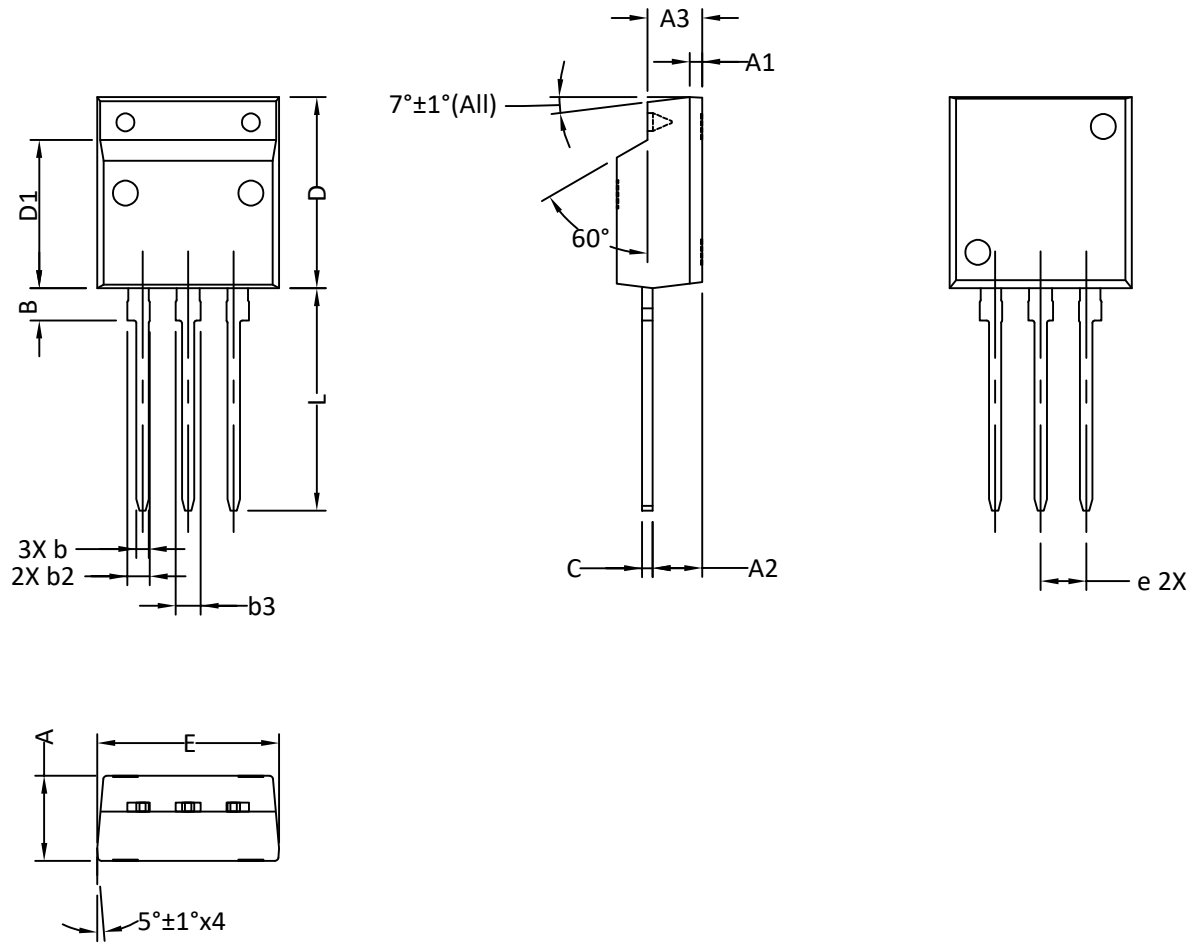
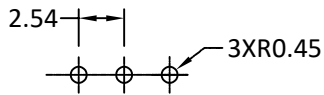




TO262F PACKAGE OUTLINE



RECOMMENDED LAND PATTERN



| SYMBOLS | DIM. IN MM | | | DIM. IN INCH | | |
|---------|------------|---------|--------|--------------|-------|-------|
| | MIN. | NOM. | MAX. | MIN. | NOM. | MAX. |
| A | 4.660 | 4.760 | 4.860 | 0.183 | 0.187 | 0.191 |
| A1 | 0.6500 | 0.7000 | 0.750 | 0.026 | 0.028 | 0.030 |
| A2 | 2.6100 | 2.7600 | 2.910 | 0.103 | 0.109 | 0.115 |
| A3 | 2.910 | 3.0600 | 3.210 | 0.115 | 0.120 | 0.126 |
| B | 1.650 | 1.8000 | 2.000 | 0.065 | 0.071 | 0.079 |
| b | 0.590 | 0.6900 | 0.790 | 0.023 | 0.027 | 0.031 |
| b2 | 1.140 | 1.2500 | 1.290 | 0.045 | 0.049 | 0.051 |
| b3 | 1.280 | 1.3800 | 1.430 | 0.050 | 0.054 | 0.056 |
| C | 0.550 | 0.6000 | 0.700 | 0.022 | 0.024 | 0.028 |
| D | 10.450 | 10.6500 | 10.850 | 0.411 | 0.419 | 0.427 |
| D1 | 8.050 | 8.2500 | 8.450 | 0.317 | 0.325 | 0.333 |
| E | 9.700 | 10.1500 | 10.540 | 0.382 | 0.400 | 0.415 |
| e | 2.54BSC | | | 0.100BSC | | |
| L | 12.270 | 12.4000 | 13.480 | 0.483 | 0.488 | 0.531 |

NOTE

1. CONTROLLING DIMENSION IS MILLIMETER.
CONVERTED INCH DIMENSIONS ARE NOT NECESSARILY EXACT.