

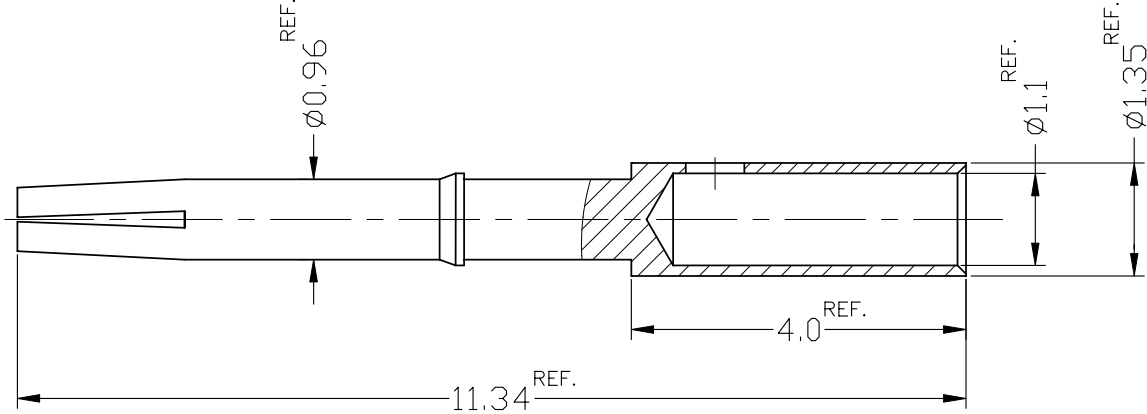
1 2 3 4 5 6 7 8

REVISIONS		
ISS	ZONE	DESCRIPTION\PER REQUEST\DATE
B	D-5	ADDED THE COD SHEET; DANBURY ECO: 49004 \RD-DM12040901K\

CONFIGURATION CONTROL:
NO CHANGES PERMITTED TO DRAWING WITHOUT
PPAP QUALIFIED CUSTOMER APPROVAL

NOTES:

- MATERIALS AND FINISHES:
BERYLLIUM COPPER, GOLD PLATED
- SEE 349-50849 SPECIFICATION FOR "WHERE USED" DETAILS



CUSTOMER OUTLINE DRAWING

		* 重要尺寸 尺寸單位為 mm	APPROVED	Amphenol Danbury,CT,USA-Tainan,Taiwan-Shenzhen,China
		一般公差 0.5-6 = ±0.1 6-30 = ±0.2 30-120 = ±0.3 120-315 = ±0.5 315-1000 = ±0.8 1000-2000 = ±1.2 ANGLES = ±1°	DANIEL.HU	
	MATERIAL BERYLLIUM COPPER		CHECKED J.YANG	
	SPECIFICATION PER QQ-C-530, ALLOY 173, 1/2 H		DRAWN K.LIAO	
SHEET 2 OF 2	FINISH PER KAI JACK SPEC. EP-SS-9700	SCALE 10/1	ISSUE B	TITLE CONTACT PIN
			DRAWN DATE 05-Apr-12	PART NO. FKCP00401A
				FILE NO. F:\ND\FK\CP\004\01BSZ

1 2 3 4 5 6 7 8