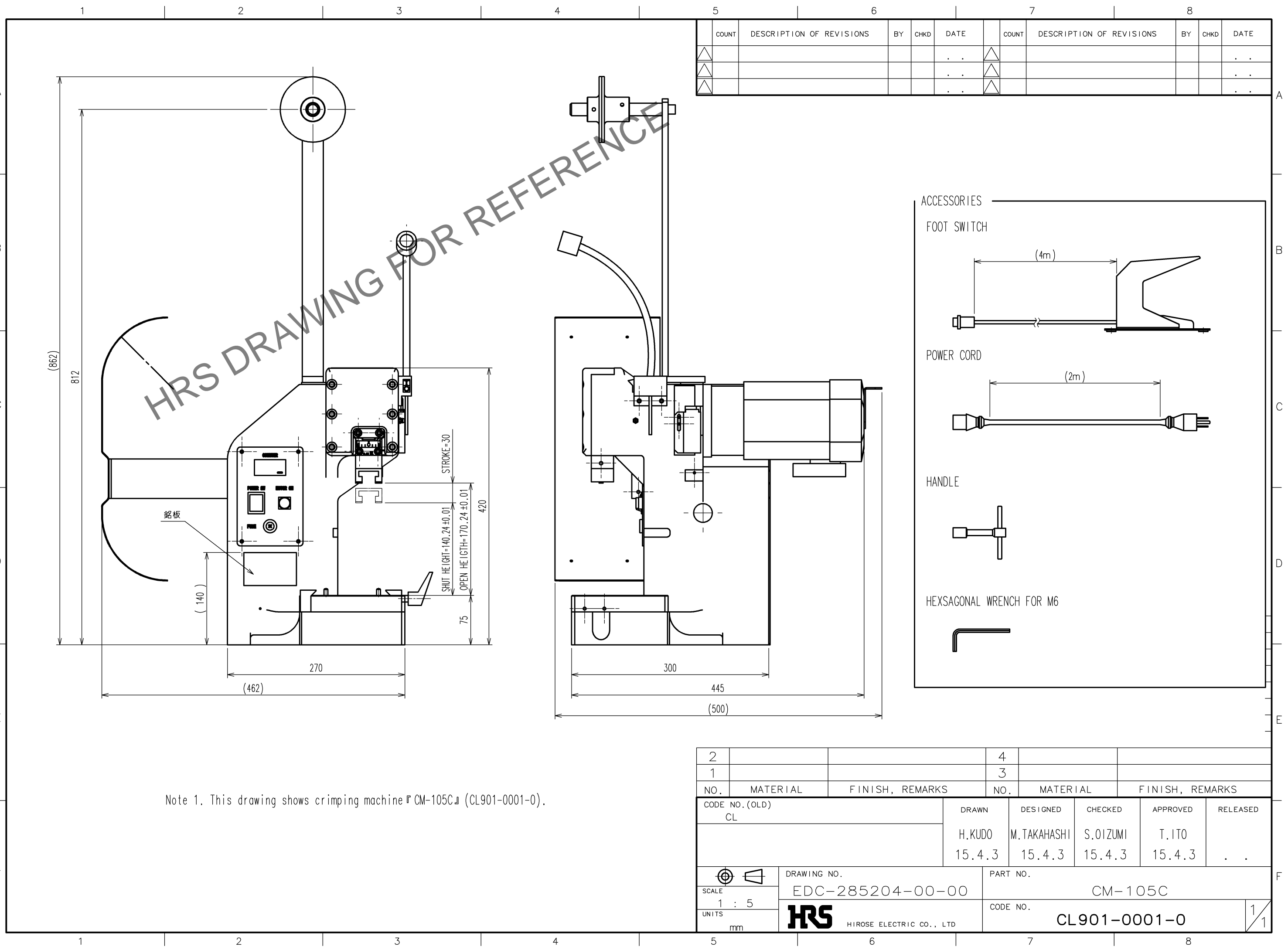
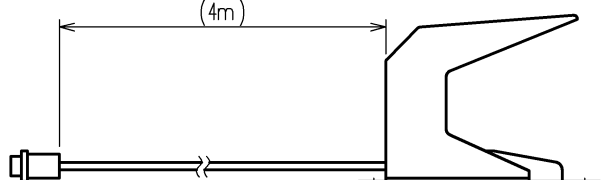


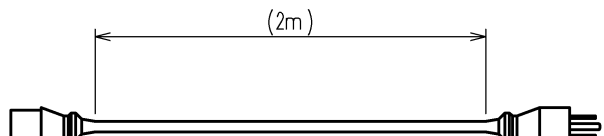
May.1.2024 Copyright 2024 HIROSE ELECTRIC CO., LTD. All Rights Reserved.
In case of consideration for using Automotive equipment / device which demand high reliability, kindly contact our sales window

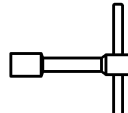



COUNT	DESCRIPTION OF REVISIONS	BY	CHKD	DATE	COUNT	DESCRIPTION OF REVISIONS	BY	CHKD	DATE
△				..	△				..
△				..	△				..
△				..	△				..

ACCESSORIES

FOOT SWITCH
 (4m)

POWER CORD
 (2m)

HANDLE


HEXAGONAL WRENCH FOR M6


Note 1. This drawing shows crimping machine『CM-105C』(CL901-0001-0).

TO
PE

2			4		
1			3		
NO.	MATERIAL	FINISH, REMARKS	NO.	MATERIAL	FINISH, REMARKS
CODE NO.(OLD) CL			DRAWN	DESIGNED	CHECKED
			H.KUDO	M.TAKAHASHI	S.OIZUMI
			15.4.3	15.4.3	15.4.3
			APPROVED	RELEASED	
			T.ITO		..
			15.4.3	15.4.3	
DRAWING NO. EDC-285204-00-00			PART NO. CM-105C		
SCALE 1 : 5			CODE NO. CL901-0001-0		
UNITS mm			HRS HIROSE ELECTRIC CO., LTD		
					1/1