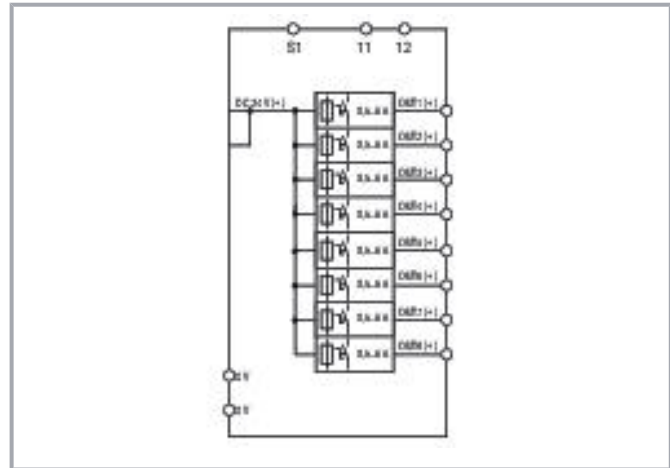


Data sheet | Item number: 787-1668/006-1054

Electronic circuit breaker; 8-channel; 24 VDC input voltage; adjustable 0.5 ... 6 A; active current limitation; Signal contact; Specialty configuration



www.wago.com/787-1668/006-1054



Item description

Features:

- Space-saving ECB with eight channels
- Nominal current: 0.5 ... 6 A (adjustable for each channel via sealable selector switch)
-

Subject to changes. Please also observe the further product documentation!

WAGO GmbH & Co. KG
Hansastr. 27
32423 Minden
Phone: +49571 887-0 | Fax: +49571 887-169
Email: info.de@wago.com | Web: www.wago.com

Do you have any questions about our products?
We are always happy to take your call at +49 (571) 887-44222.



- Active current limitation
- Switch-on capacity > 65000 μ F per channel
- One illuminated, three-colored button per channel simplifies switching (on/off), resetting, and on-site diagnostics
- Time-delayed switching of channels
- Tripped message (group signal)
- Remote input resets all tripped channels
- Potential-free signal contact 11 / 12 reports "channel switched off" and "tripped channel" – does not support communication via pulse sequence

Data

Technical data

Input

Nominal input voltage $U_{i\text{nom}}$	DC 24 V
Input voltage range	DC 18 ... 30 V

Output

Total number of channels (module)	8
Nominal output voltage $U_{o\text{nom}}$	8 x DC 24 V
Output voltage range	DC 18 ... 30 V (U_e – voltage drop)
Voltage drop	≤ 155 mV (6 A) (Input (+))
Nominal output current $I_{o\text{nom}}$	8 x 0.5 / 1 / 2 / 3 / 4 / 6 A (adjustable for each channel via selector switch)
Default setting	DC 0.5 A; switched off
Switch-on capacity	> 58000 μ F per channel
Switch-on behavior	Time-delayed channel switching (load-dependent, min. 50 ms / max. 5 s)
Active current limitation	Yes
Current limitation	$1.3 \times I_{o\text{nom}}$ (typ.)

Signaling and communication

Signaling	8 x LED (green/red/orange) 1 x Remote control input (S1) 1 x Group signal contact (11; 12)
Operation status indicator	Green LED (channel OK) Red LED (tripped channel)
Remote input	Reactivation of all tripped channels via 15 ... 30 VDC pulse for min.

Subject to changes. Please also observe the further product documentation!



500 ms

Efficiency/power losses

Power loss P_j	$\leq 1.15 \text{ W}; \leq 8.6 \text{ W (8 x 6 A)}$
Efficiency (typ.)	99 %

Circuit protection

Internal fuse	T 15 A per channel
---------------	--------------------

Safety and protection

Isolation voltage (connectors – housing)	DC 0.5 kV
Protection class	III
Protection type	IP20; per EN 60529
Reverse voltage protection	No
Resistance to reverse feed	$\leq \text{DC } 35 \text{ V}$
Pollution degree	2
Transient suppression (primary)	Suppressor diode (33 V)
Parallel operation of single channels	Not permitted
Series operation	No
MTBF	> 500,000 h (per IEC 61709)

Connection data

Connection type 1	Input (+)
Connection technology	Push-in CAGE CLAMP [®]
WAGO connector	WAGO 831 Series
Solid conductor	0.5 ... 10 mm ² / 20 ... 8 AWG
Fine-stranded conductor	0.5 ... 10 mm ² / 20 ... 8 AWG
Strip length	13 ... 15 mm / 0.51 ... 0.59 inches
Connection type 2	Input (-); output; signaling
Connection technology 2	CAGE CLAMP [®]
WAGO connector 2	WAGO 721 Series
Solid conductor 2	0.08 ... 2.5 mm ² / 28 ... 12 AWG
Fine-stranded conductor 2	0.08 ... 2.5 mm ² / 28 ... 12 AWG
Strip length 2	8 ... 9 mm / 0.31 ... 0.35 inches

Subject to changes. Please also observe the further product documentation!



Physical data

Width	42 mm / 1.654 inches
Height	127 mm / 5 inches
Depth from upper-edge of DIN-rail	142.5 mm / 5.61 inches

Mechanical data

Mounting type	DIN-35 rail
---------------	-------------

Material data

Fire load	0.768 MJ
Weight	440 g

Environmental requirements

Ambient temperature (operation)	-25 ... +70 °C
Ambient temperature (storage)	-25 ... +85 °C
Relative humidity	5 ... 96 % (no condensation permissible)
Derating	No derating

Standards and specifications

Conformity marking	CE
Standards/specifications	EN 61000-6-2 EN 61000-6-3 UL 508 UL 2367 DNV

Commercial data

eCl@ss 10.0	27-37-18-02
eCl@ss 9.0	27-37-18-02
ETIM 8.0	EC001440
ETIM 7.0	EC001440
Recupel Type	
ECCN	NO DATA
PU (SPU)	1 pcs
Packaging type	Box
Country of origin	DE
Customs tariff number	85363010900

Subject to changes. Please also observe the further product documentation!


Environmental Product Compliance

RoHS Compliance Status


Compliant, No Exemption

Approvals / Certificates

General approvals

Logo	Approval	Additional Approval Text	Certificate name
	EAC GZO Almaty Standart	TP TC 020/2011	EAC CoC 03081
	UL Underwriters Laboratories Inc.	UL 508	E255817
	UR Underwriters Laboratories Inc.	UL 2367	E363438

Declarations of conformity and manufacturer's declarations

Logo	Approval	Additional Approval Text	Certificate name
	EU-Declaration of Conformity WAGO GmbH & Co. KG	-	-

Approvals for marine applications

Logo	Approval	Additional Approval Text	Certificate name
	DNV DNV GL SE	-	TAA0000281

Optional accessories

Marking accessories

Marking strip

Subject to changes. Please also observe the further product documentation!

WAGO GmbH & Co. KG
 Hansastr. 27
 32423 Minden
 Phone: +49571 887-0 | Fax: +49571 887-169
 Email: info.de@wago.com | Web: www.wago.com

Do you have any questions about our products?
 We are always happy to take your call at +49 (571) 887-44222.



Item no.: 2009-110
Marking strips; for Smart Printer; on reel; not stretchable; plain; snap-on type; white

www.wago.com/2009-110



Item no.: 210-831
Marking strips; on reel; 2.3 mm wide; plain; Self-adhesive; white

www.wago.com/210-831



Item no.: 210-832
Marking strips; on reel; 3 mm wide; plain; Self-adhesive; white

www.wago.com/210-832

Marker



Item no.: 2009-145
Mini-WSB Inline; for Smart Printer; 1700 pieces on roll; stretchable 5 - 5.2 mm; plain; snap-on type; white

www.wago.com/2009-145



Item no.: 2009-115
WMB-Inline; for Smart Printer; 1500 pieces on roll; stretchable 5 - 5.2 mm; plain; snap-on type; white

www.wago.com/2009-115



Item no.: 248-501
Mini-WSB marking card; as card; not stretchable; plain; snap-on type; white

www.wago.com/248-501



Item no.: 793-501
WMB marking card; as card; not stretchable; plain; snap-on type; white

www.wago.com/793-501



Item no.: 793-5501
WMB marking card; as card; for terminal block width 5 - 17.5 mm; stretchable 5 - 5.2 mm; plain; snap-on type; white

www.wago.com/793-5501

Mounting adapter

DIN-rail adapter



Item no.: 787-897/000-010
Carrier rail adapter made of zinc die-cast; horizontal mounting of 787-16xx (TS35)

www.wago.com/787-897/000-010

Tool

Operating tool



Item no.: 210-721
Operating tool; Blade: 5.5 x 0.8 mm; with a partially insulated shaft; multicoloured

www.wago.com/210-721



Item no.: 210-769
SCREWDRIVER; green

www.wago.com/210-769

Subject to changes. Please also observe the further product documentation!



Item no.: 210-720

Operating tool; Blade: 3.5 x 0.5 mm; with a partially insulated shaft; multicoloured

Downloads

Documentation

Bid Text

787-1668/006-1054 X81 - Datei	3 июл. 2019 г.	xml 7.3 kB	Download
----------------------------------	----------------	---------------	----------

787-1668/006-1054 docx - Datei	2 июл. 2019 г.	docx 21.4 kB	Download
-----------------------------------	----------------	-----------------	----------

Instruction Leaflet

Elektronische Schutzschalter Elektronische Absicherung, DC 24 V / 48 A		pdf 3.6 MB	Download
---	--	---------------	----------

Additional Information

Disposal and Recycling Electrical and electronic equipment, Batteries, Packaging	V 1.1.0 18 авг. 2022 г.	pdf 2.2 MB	Download
---	----------------------------	---------------	----------

CAD/CAE-Data

CAE data

EPLAN Data Portal 787-1668/006-1054		URL	Download
-------------------------------------	--	-----	----------

WSCAD Universe 787-1668/006-1054		URL	Download
----------------------------------	--	-----	----------

ZUKEN Portal 787-1668/006-1054		URL	Download
--------------------------------	--	-----	----------

WSCAD Universe 787-1668/006-1054		URL	Download
----------------------------------	--	-----	----------

EPLAN Data Portal 787-1668/006-1054		URL	Download
-------------------------------------	--	-----	----------

CAD data

2D/3D Models 787-1668/006-1054		URL	Download
--------------------------------	--	-----	----------

Subject to changes. Please also observe the further product documentation!



Asset Administration Shell

Asset Administration Shell 787-1668/006-1054	URL	Download
--	-----	----------

Environmental Product Compliance

Compliance Search

Environmental Product Compliance 787-1668/006-1054	URL	Download
--	-----	----------

Electronic circuit breaker; 8-channel; 24 VDC input voltage; adjustable 0.5 ... 6 A; active current limitation; Signal contact; Specialty configuration

Installation Notes

Subject to changes. Please also observe the further product documentation!