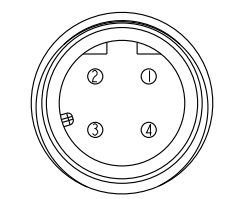
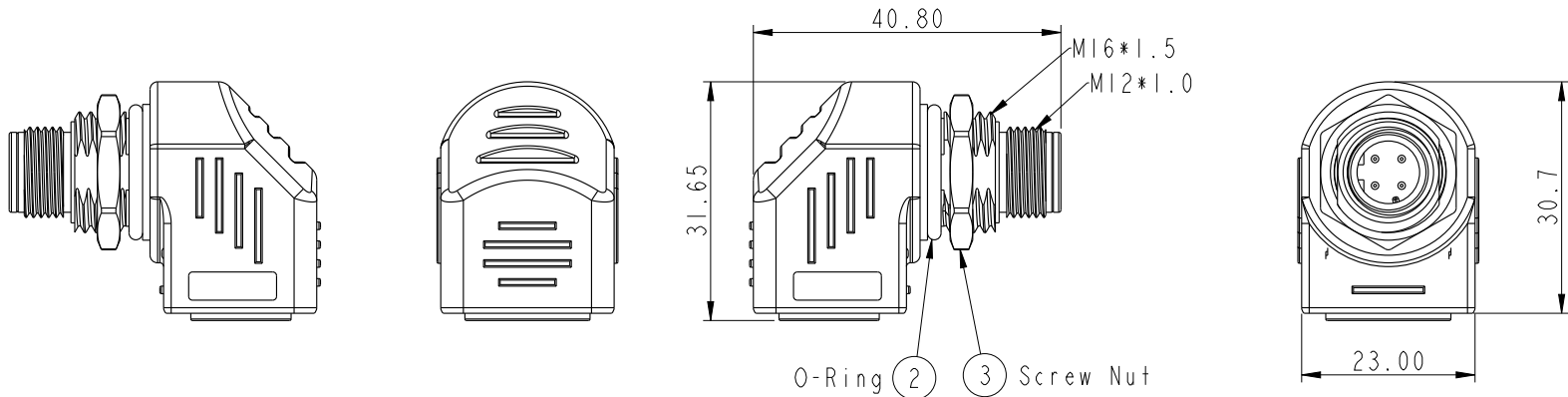
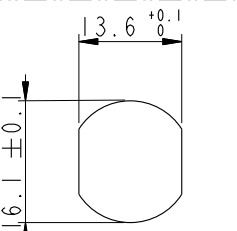
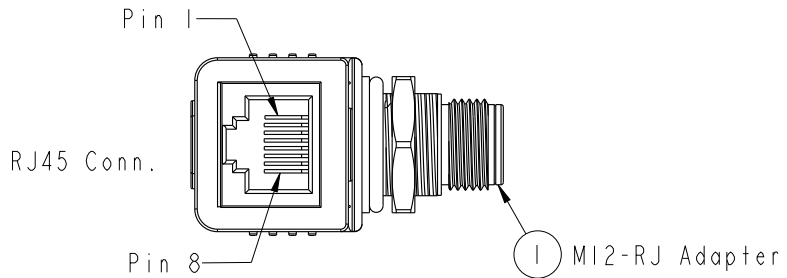


REV.	ECN NO.	DATE	SIGN	DESCRIPTION

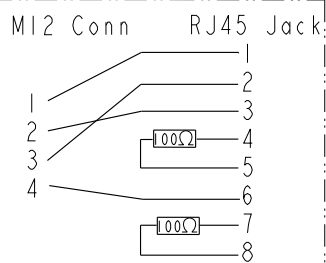
THIS DOCUMENT IS SUBJECT TO CHANGE WITHOUT NOTICE. IT IS CONFIDENTIAL AND A PROPERTY OF AMPHENOL LTW. DISCLOSURE TO THIRD PARTY HAS TO BE AUTHORIZED BY AMPHENOL LTW.



Pin Assignments
Front View



M12 Recommended
Panel Cut-Out



Circuit Diagram

ALTW
CONFIDENTIAL
2014-06-13
R&D DEPT.

ALTW
DCC. DEPT.
CONFIDENTIAL
2014.06.17
ISSUED

- Note:
- * \varnothing Important Dimension
 - * Waterproof Rate: IP65(MOLDING)
 - * Waterproof Rate: IP68(MI2)
(Under Water 1M 24 hours)
 - * Pin: Copper Alloy, Gold Plated
 - * Nut: Zinc Alloy, Nickel Plated
 - * Shield: Copper Alloy, Nickel Plated
 - * O-Ring: Silicone, UL94V-0, Gray.
 - * Jack: PBT, Black.
 - * Housing: Nylon+GF, Black.
 - * Panel Thickness Max: 5.0mm

UNIT: mm

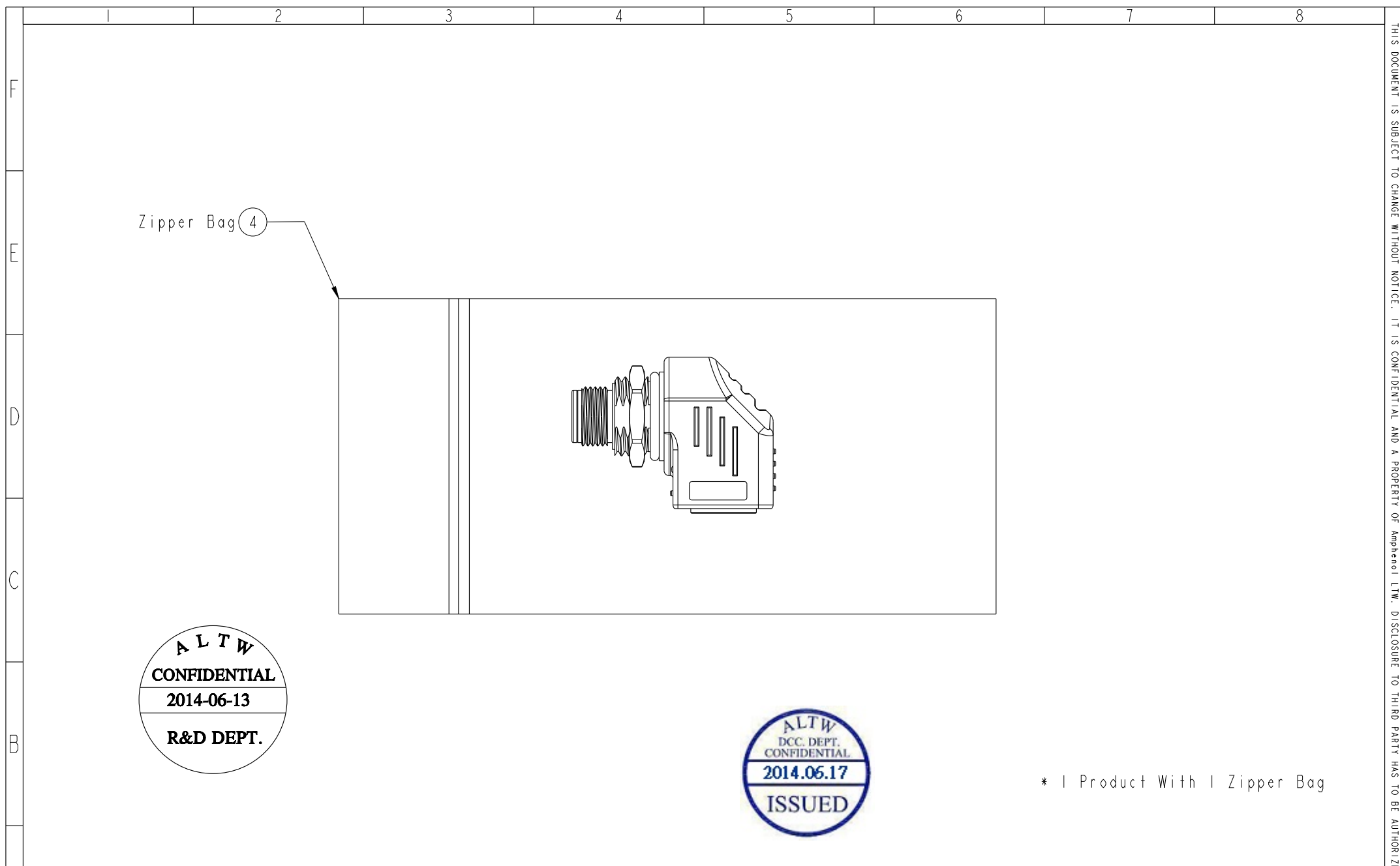
TOLERANCE $\pm 0.5\text{mm}$

TITLE ADAPTOR, SHIELDED M12 D CODE TO RJ45			
SCALE 1:1	SIZE A4	SHEET 1 OF 2	
REV. A	WC-REV. A.1	\varnothing : Inspection item	

Amphenol LTW
安費諾亮泰企業股份有限公司

ITEM NO. RJS-12D04FM-RS8002	DRAWN BY Tony_leng	DATE 2014-06-13
DWG NO. RJS-12D04FM-RS8002	CHECKED BY Jimmy	DATE 2014-06-13
CUSTOMER ALTW	APPROVED BY Jerry	DATE 2014-06-13

THIS DOCUMENT IS SUBJECT TO CHANGE WITHOUT NOTICE. IT IS CONFIDENTIAL AND A PROPERTY OF Amphenol LTW. DISCLOSURE TO THIRD PARTY HAS TO BE AUTHORIZED BY Amphenol LTW.



ALTW
CONFIDENTIAL
 2014-06-13
R&D DEPT.

ALTW
 DCC. DEPT.
CONFIDENTIAL
 2014.06.17
ISSUED

* 1 Product With 1 Zipper Bag

A	UNIT:mm			TITLE ADAPTOR, SHIELDED M12 D CODE TO RJ45		ITEM NO RJS-12D04FM-RS8002	DRAWN BY Tony_leng	DATE 2014-06-13	
	TOLERANCE ±0.5mm			SCALE 1:1	SIZE A4	SHEET 2 OF 2	DWG NO RJS-12D04FM-RS8002	CHECKED BY Jimmy	DATE 2014-06-13
				REV. A	WC-REV. A.1	Inspection item	CUSTOMER ALTW	APPROVED BY Jerry	DATE 2014-06-13
				<h2 style="margin: 0;">Amphenol LTW</h2> <p style="margin: 0;">安費諾亮泰企業股份有限公司</p>					