

PV5 SERIES ANTI-VANDAL SWITCH

ANTI-VANDAL SWITCHES
DETECTOR SWITCHES
DIP SWITCHES
KEYLOCK SWITCHES
NAVIGATION SWITCHES
PUSHBUTTON SWITCHES
ROCKER SWITCHES
ROTARY SWITCHES
SLIDE SWITCHES
SNAP ACTION SWITCHES
TACTILE SWITCHES
TOGGLE SWITCHES
CAP OPTIONS



APPLICATIONS / MARKETS



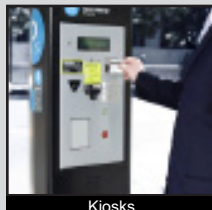
Audio / Visual



Security Devices



Industrial Controls



Kiosks



Electrical Housewares



Medical Equipment

SPECIFICATIONS

Electrical Rating: 2A, 36VDC
Mechanical Life: 1,000,000 Cycles
Electrical Life: 200,000 Cycles
Contact Resistance: 50mΩ Max.
Insulation Resistance: 1000 MΩ Min.
Dielectric Strength: 2,000VAC
Operating/Storage Temperature: -25°C to 55°C
Travel: 2.50mm
Moisture Protection: IP65
Contact Arrangement: SPST Off-(On)
Actuation Force: 5 N
Panel Thickness: 1-5mm
Mounting Nut Torque: 0.3Nm

FEATURES & BENEFITS

- Multiple actuator finish options
- Solder or screw termination options
- Raised or domed actuator options
- IP65 rated

PART NUMBER CONFIGURATOR

Series	Actuator Options	Terminal Options	Function Options	Rating Options	Body Finish Options	Actuator Finish Options	Contact Material Options
<input type="text" value="PV"/> <input type="text" value="5"/>	<input type="text" value="H"/> <input type="text" value="S"/>	<input type="text" value="2"/> <input type="text" value="6"/>	<input type="text" value="4"/> <input type="text" value="Off"/>	<input type="text" value="0"/>	<input type="text" value="N"/> <input type="text" value="S"/> <input type="text" value="1"/>	<input type="text" value="1"/> <input type="text" value="2"/> <input type="text" value="6"/> <input type="text" value="7"/> <input type="text" value="8"/> <input type="text" value="9"/> <input type="text" value="N"/> <input type="text" value="S"/>	<input type="text" value="NONE"/> <input type="text" value="G"/>
PV5	H - Raised S - Domed	2 - Solder 6 - Screw	4 - 1 Pole Off - (On)*	0 - 2A, 36VDC	N - Nickel S - Polished Stainless 1 - Black Anodized	1 - Black 2 - White 6 - Yellow 7 - Blue 8 - Green 9 - Red N - Nickel S - Polished Stainless	NONE - Silver G - Gold

NOTES:
 *(ON) Denotes function is momentary

Specifications subject to change without notice 7.15.2019



E-SWITCH®

www.e-switch.com

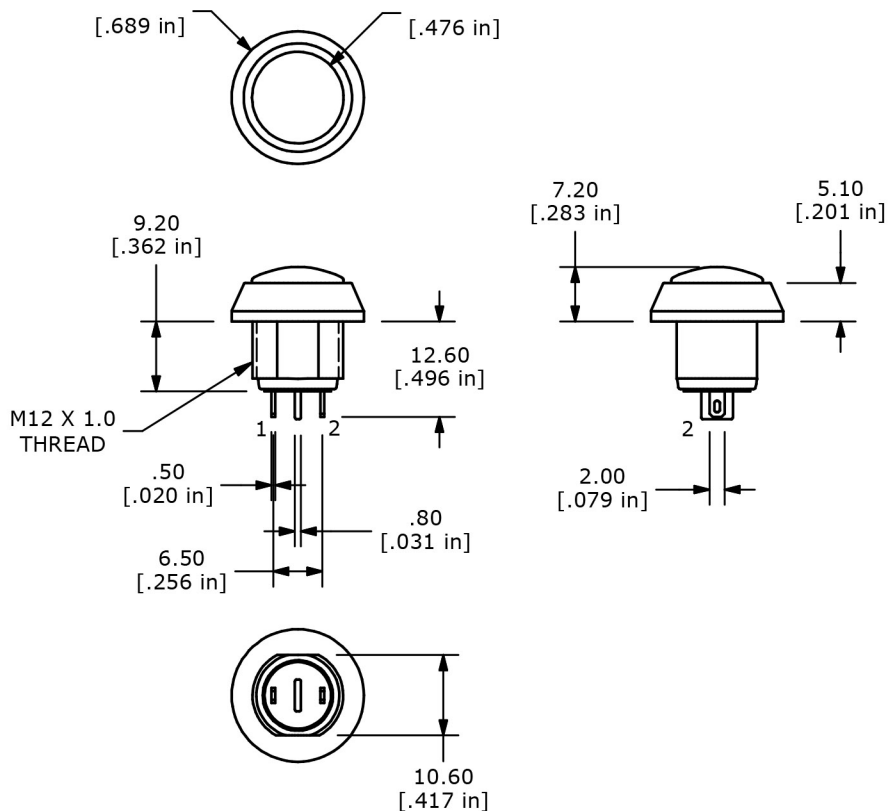
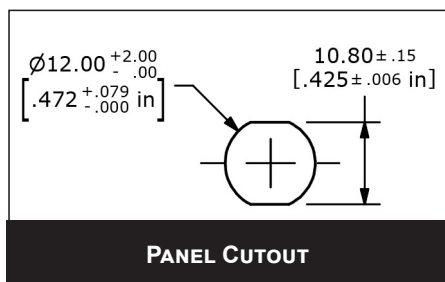
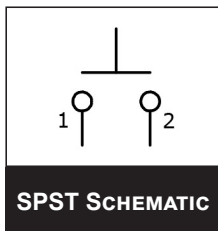
800.867.2717

1

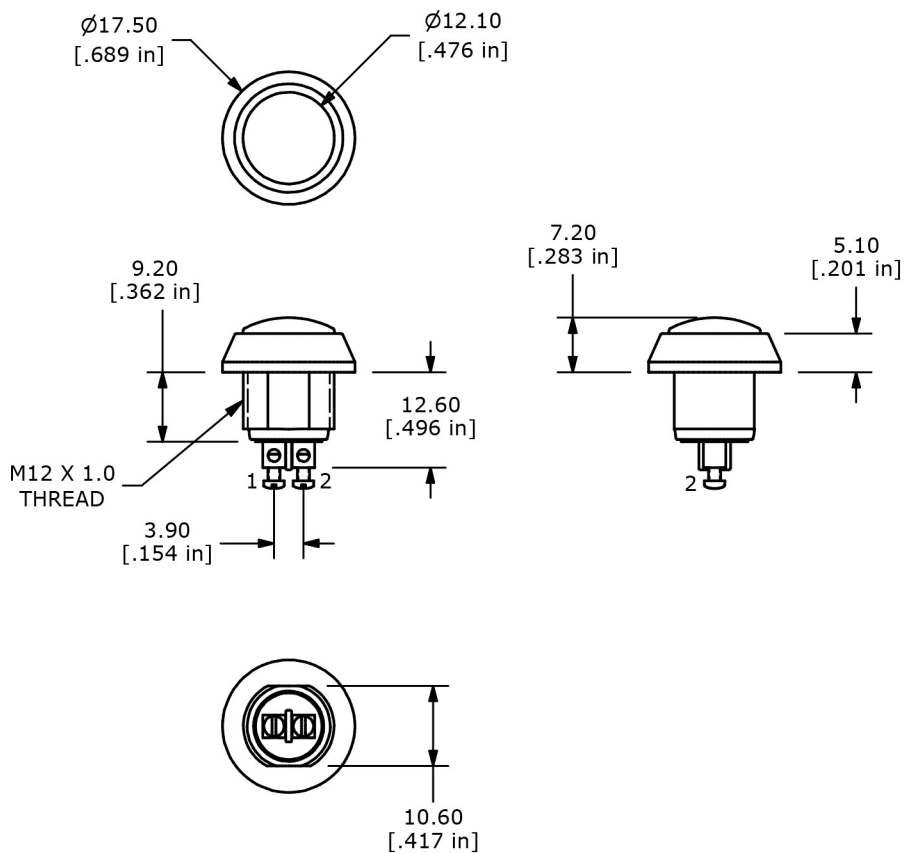
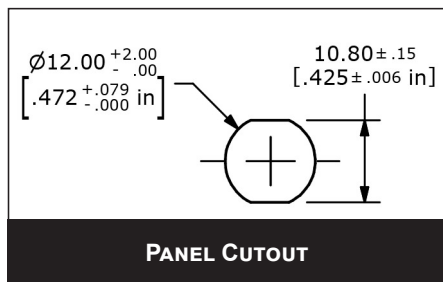
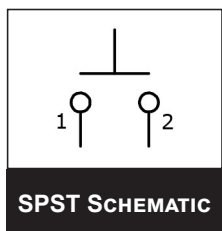
PV5 SERIES ANTI-VANDAL SWITCH

BODY DIMENSIONS - FLATS

SOLDER TERMINATION



SCREW TERMINATION

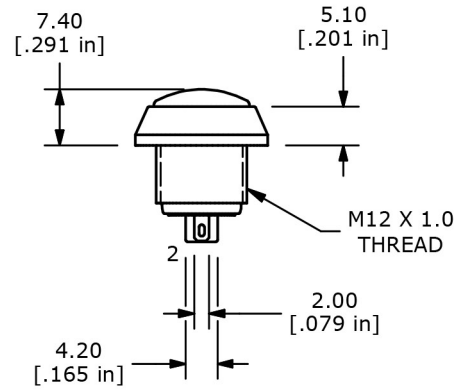
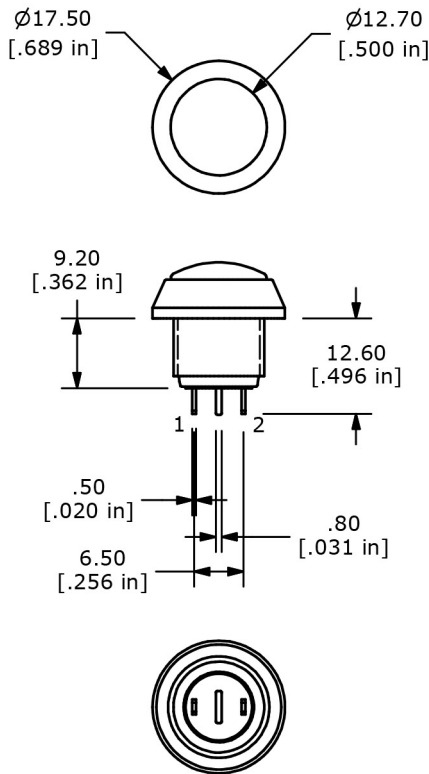
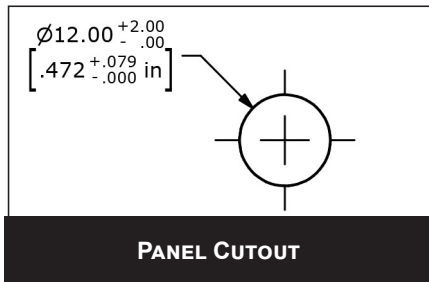
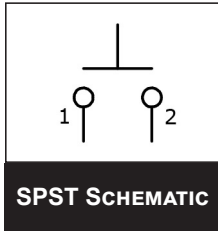


ANTI-VANDAL SWITCHES
DETECTOR SWITCHES
DIP SWITCHES
KEYLOCK SWITCHES
NAVIGATION SWITCHES
PUSHBUTTON SWITCHES
ROCKER SWITCHES
ROTARY SWITCHES
SLIDE SWITCHES
SNAP ACTION SWITCHES
TACTILE SWITCHES
TOGGLE SWITCHES
CAP OPTIONS

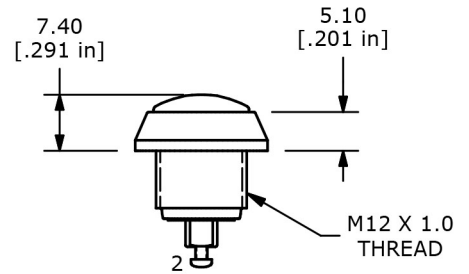
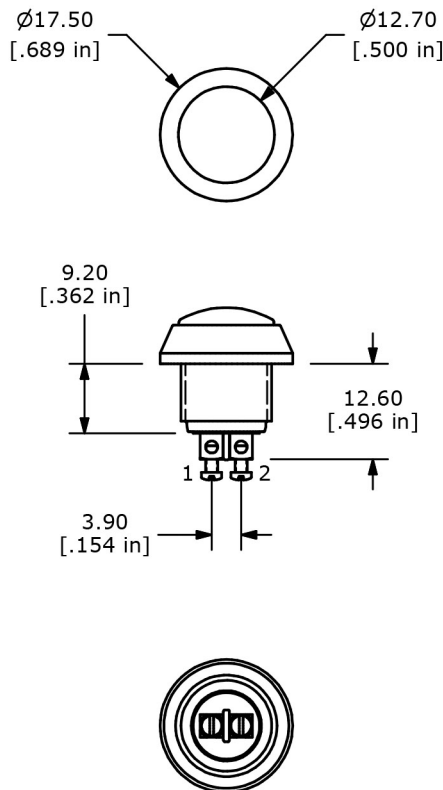
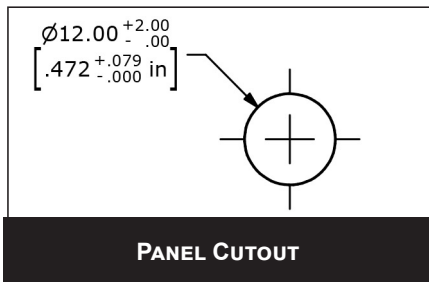
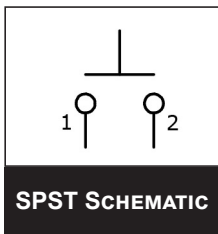
PV5 SERIES ANTI-VANDAL SWITCH

BODY DIMENSIONS - NICKEL, BLACKANODIZED OR STAINLESS

SOLDER TERMINATION



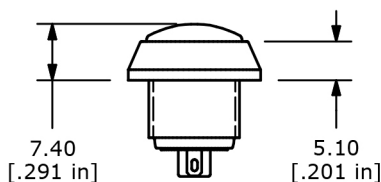
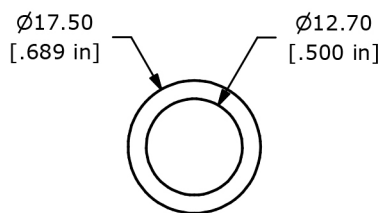
SCREW TERMINATION



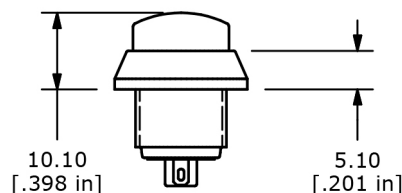
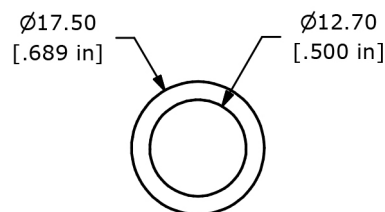
PV5 SERIES ANTI-VANDAL SWITCH

ACTUATOR OPTIONS

NICKEL OR STAINLESS

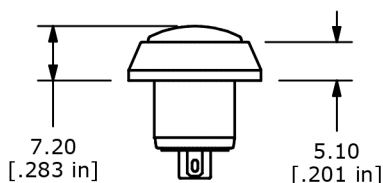
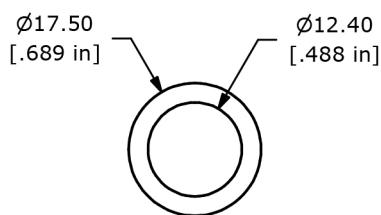


DOMED ACTUATOR

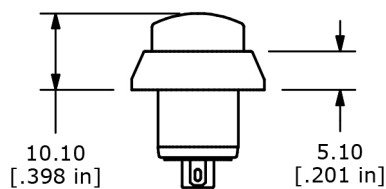
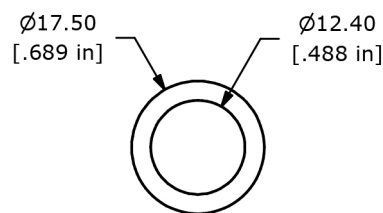


RAISED ACTUATOR

BLACK, WHITE, YELLOW, BLUE, GREEN OR RED



DOMED ACTUATOR



RAISED ACTUATOR

