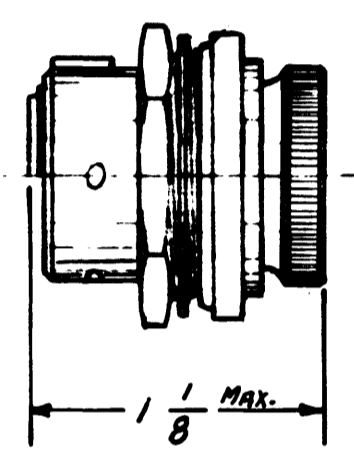


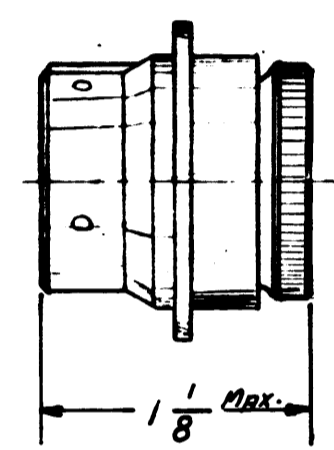
1A MOD

REVISIONS			
SYM	DESCRIPTION	DATE	APPROVAL
	NONE NEW RELEASE ECR 12373	1-10-63	<i>W. J. [Signature]</i>

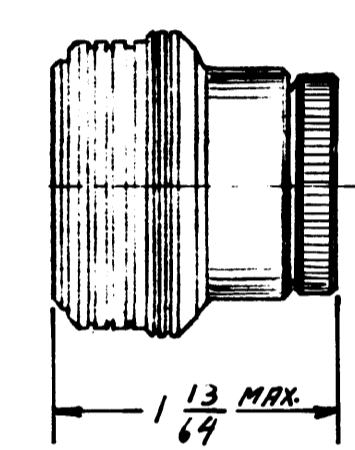
DM9601



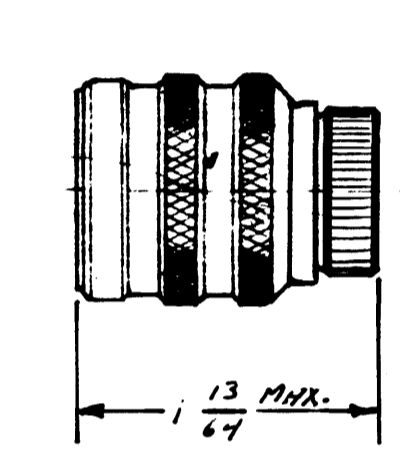
DM9606



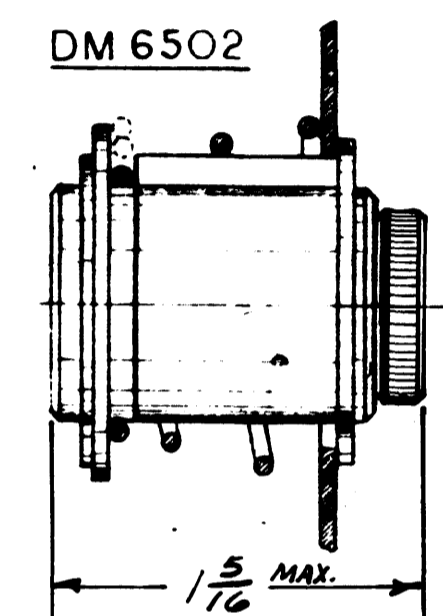
DM9700



DM9718



DM 6502



1A MOD	FOLLOWER & GROMMET OMITTED
--------	----------------------------

1. TO BE USED WITH STD. ENVELOPE DWG. OF CONNECTOR BEING MODIFIED.  
NOTES

PART NUMBER		DESCRIPTION
ENVELOPE		ENVELOPE
MODIFICATION		MODIFICATION
OMISSION		OMISSION
PLUGS & RECEPTACLES		PLUGS & RECEPTACLES
FOR DM ONLY		FOR DM ONLY
SCALE NONE		WT
DWG SIZE COCE/1139		SHEET 1 OF 1

**The Deutch Company**  
ELECTRONIC COMPONENTS DIVISION  
Municipal Airport - Banning, California

**B** 1A MOD  
DWG SIZE COCE/1139 SHEET 1 OF 1