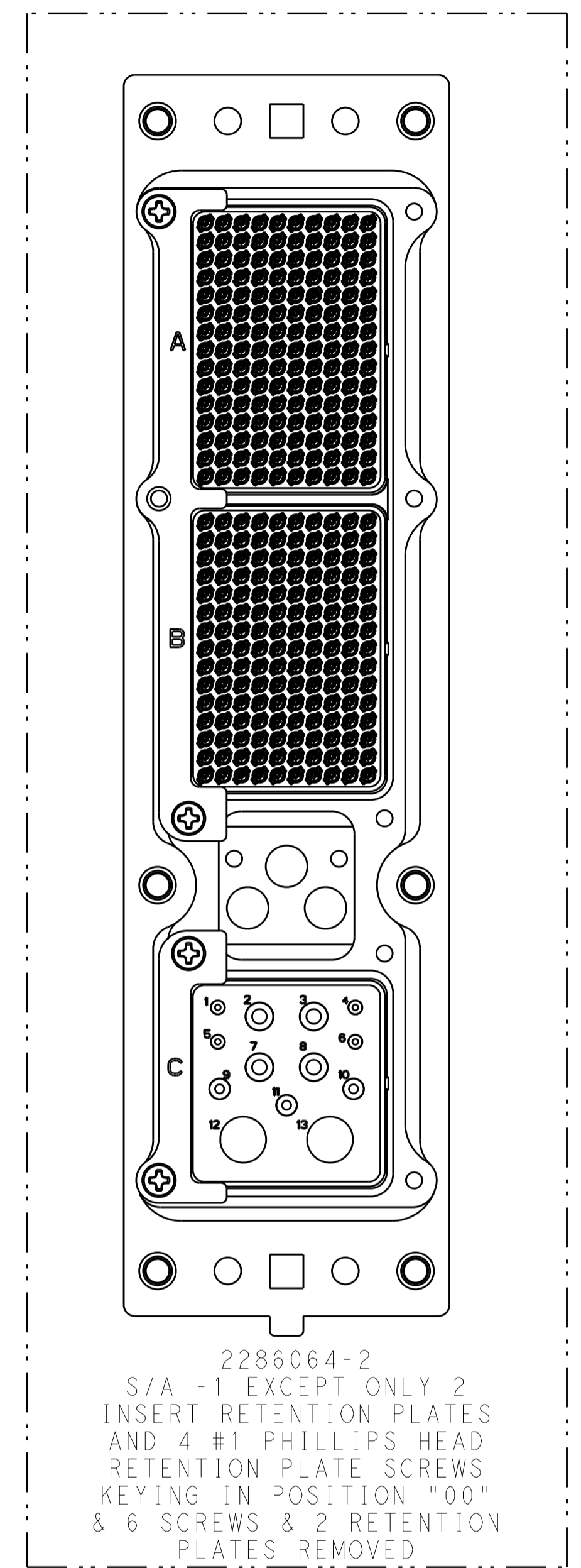
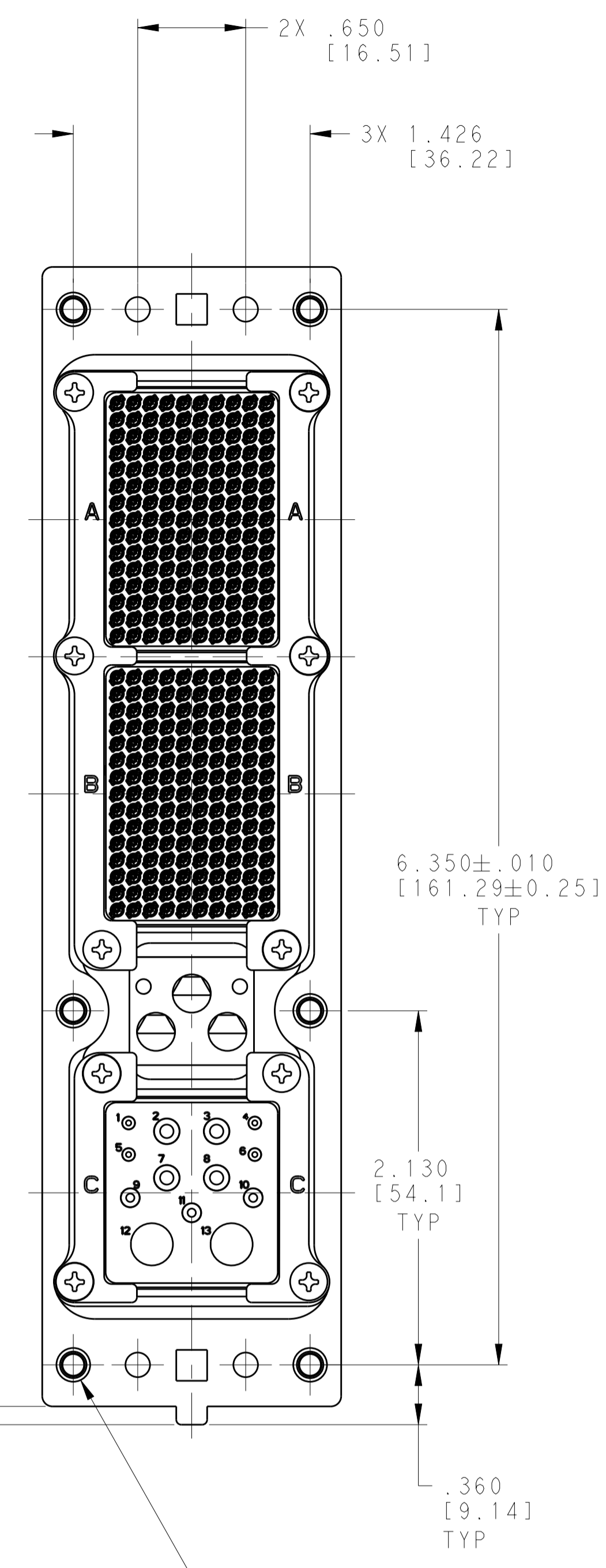
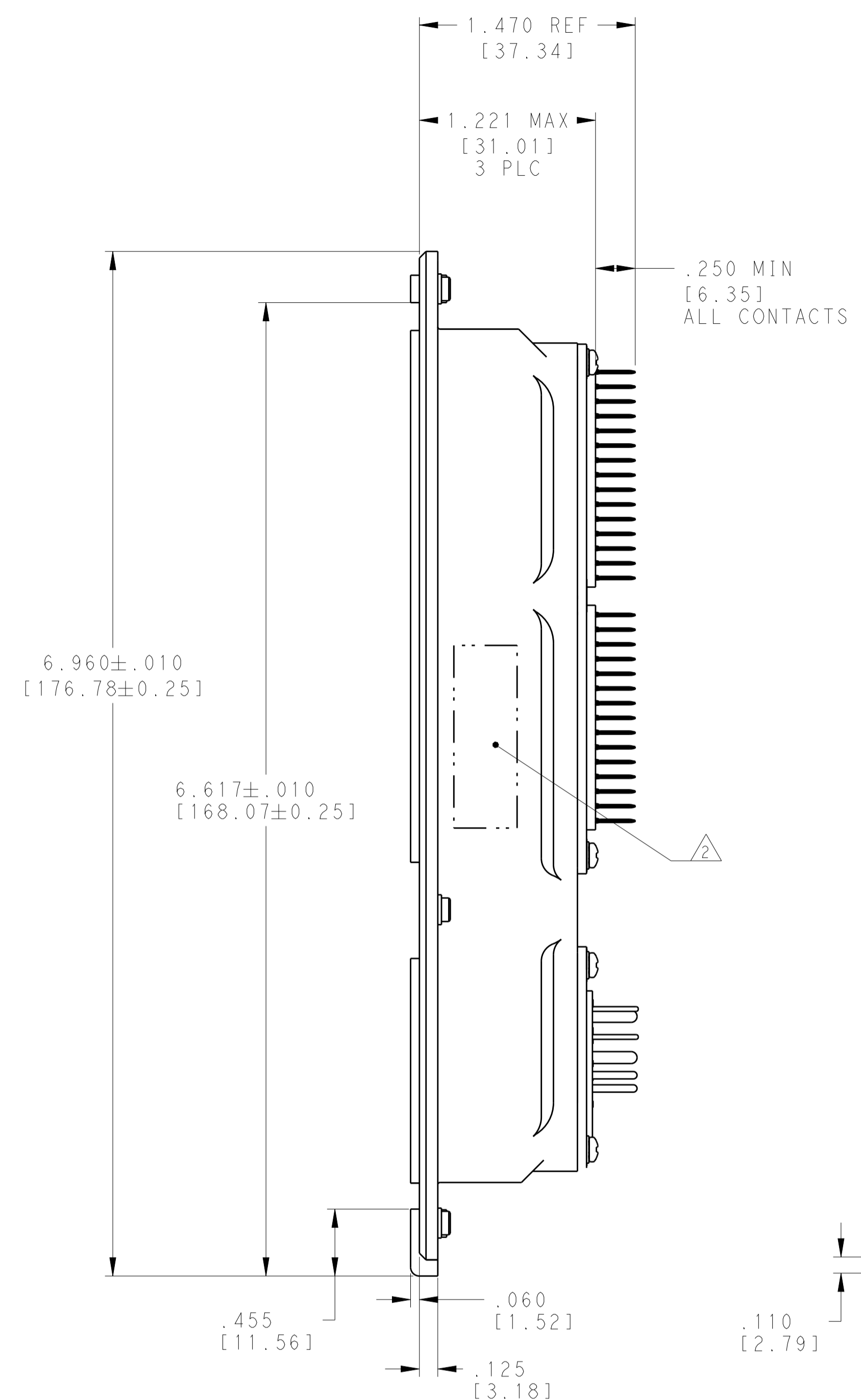
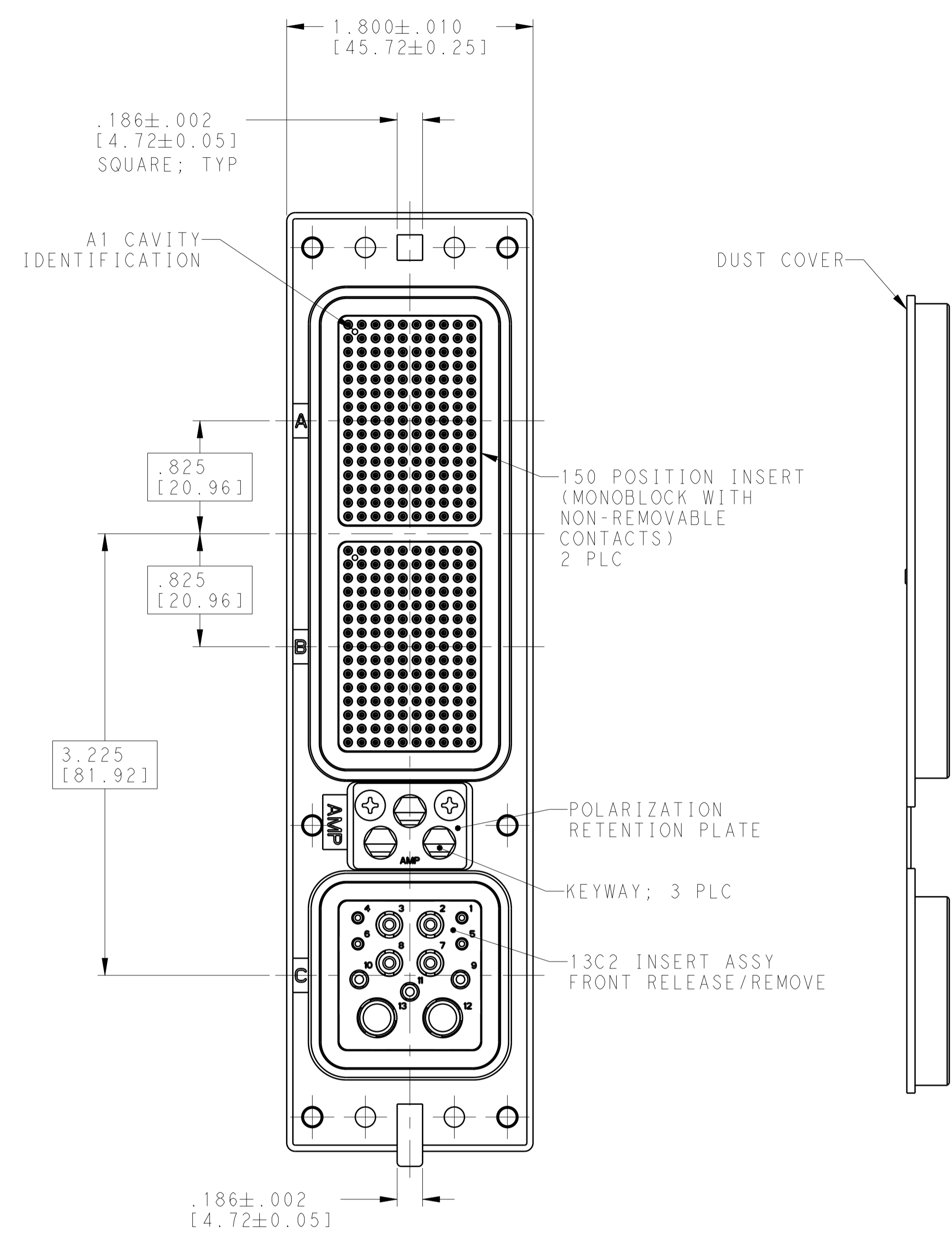


REVISIONS				
P.	LTN.	DESCRIPTION	DATE	APPROV.
D		REV PER ECO 16-006664	5-2-16	CT MS
E		REV PER ECO-16-009404	30JUN2016	KG MS



COMPONENT	MATERIAL	FINISH	REMARKS
SIZE 22 STAMPED AND FORMED SOCKET CONTACTS QTY = 300	BODY: COPPER ALLOY HOOD: STAINLESS STEEL	BODY: .000050 [0.00127] MIN GOLD ON MATING TINES, Sn ON TAIL OVER NICKEL PLATE \triangle HOOD: PASSIVATED	NON REMOVEABLE (150 POSN. INSERTS) \triangle
150 POSITION MONOBLOCK INSERT 2 PLC	THERMOPLASTIC	NONE	ONE PIECE DESIGN WITH NON-REMOVABLE CONTACTS \triangle
13C2 POSITION INSERT	THERMOSET	--	ALL FRONT RELEASE/REMOVE
POLARIZATION KEYWAY	ZINC ALLOY PER ASTM-B-86	--	--
#4-40 CLINCH NUTS 6 PLC	STEEL	ZINC PLATE WITH SUPPLEMENTAL YELLOW TRIVALENT CHROMATE COATING	--
KEYWAY RETAINER PLATE	ALUMINUM ALLOY	BLUE ANODIZED PER MIL-A-8625	--
SHELL AND RETENTION PLATES	ALUMINUM ALLOY PER ASTM-B-85 ALUMINUM ALLOY PER ASTM-B-209	ELECTROLESS NICKEL PER MIL-C-26074	--

\triangle ASSEMBLED CONNECTOR FEATURES COMPLY WITH ARINC 600 SPECIFICATION EXCEPT AS NOTED.
 \triangle MANUFACTURERS PART NO. AND DATE CODE (YY-WW) MARKED IN AREA SHOWN.

- KEYING SHOWN IN POSITION "01" FOR REFERENCE ONLY. SEE TABLE FOR KEYING POSITION. FOR POSITION "00" KEYING SHIPPED UNASSEMBLED.
- THE FOLLOWING CONTACTS AND FILLER PLUGS FOR THE 13C2 POSITION INSERT ARE INCLUDED AND INSTALLED:
 SIZE 20 POSTED PIN CONTACT; TE PART NO. 1-448138-2; QTY = 4
 SIZE 16 POSTED PIN CONTACT; TE PART NO. 1-448139-1; QTY = 3
 SIZE 12 POSTED PIN CONTACT; TE PART NO. 448140-3; QTY = 4
 SIZE 5 FILLER PLUG; TE PART NO. 1484205-1; QTY = 2
- CONNECTOR IS SUPPLIED WITH A DUST COVER INSTALLED FOR SHIPPING.

KEYING POSITION	PART NUMBER
"00"	2286064-2
"01"	2286064-1

THIS DRAWING IS A CONTROLLED DOCUMENT. DIMENSIONS: [INCHES(mm)] TOLERANCES UNLESS OTHERWISE SPECIFIED: 0 PLC ±, 1 PLC ±, 2 PLC ±, 3 PLC ±, 4 PLC ±, 5 PLC ±.005 (0.13) ANGLES ±. MATERIAL: SEE TABLE FINISH: SEE TABLE

APPROVED: C.C. THOMAS 2-26-14, W. BERNHART 2-26-14, W. BERNHART 2-26-14. NAME: RECEPTACLE ASSY, SIZE 2, ARINC 600 (150/150/13C2) WITH STAMPED AND FORMED SIGNAL CONTACTS. SIZE: CAGE CODE DRAWING NO. RESTRICTED TO: A100779C=2286064. WEIGHT: -. SCALE: 3:2 SHEET 1 OF 1 REV E. Customer Drawing

STE TE Connectivity