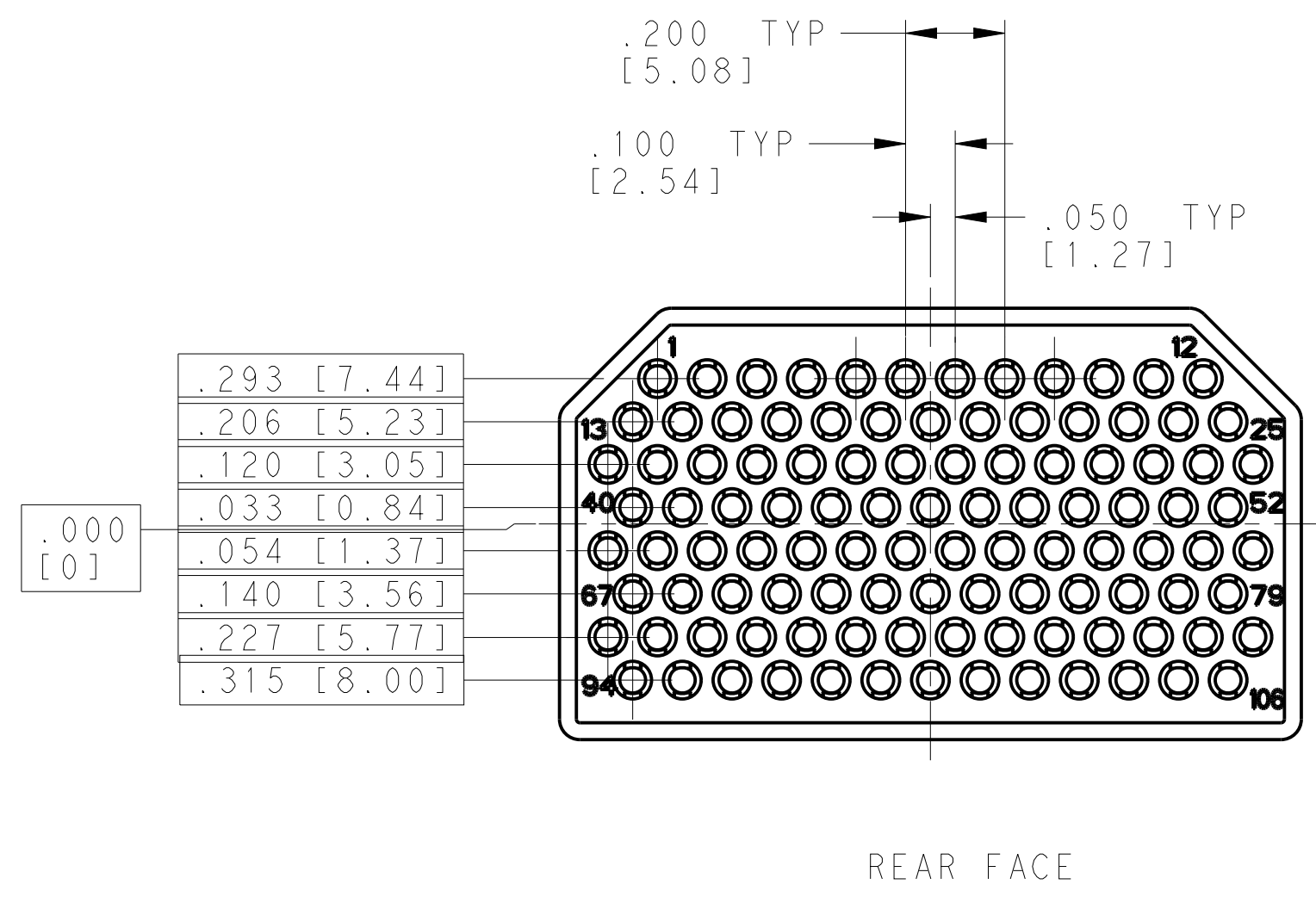
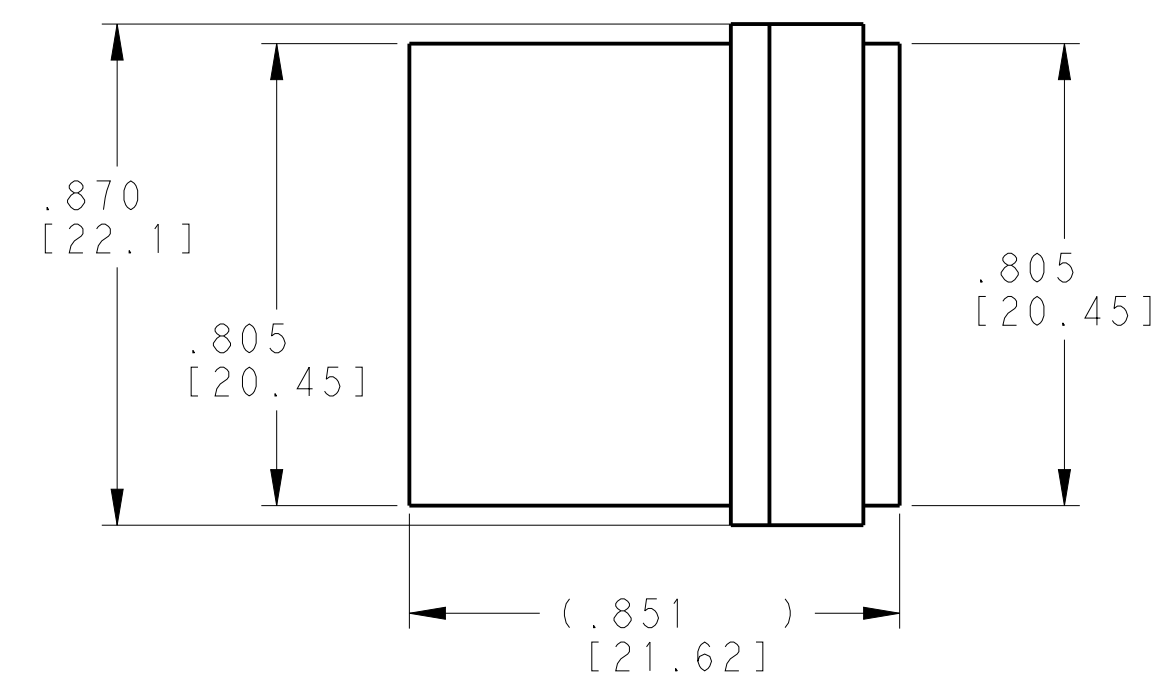
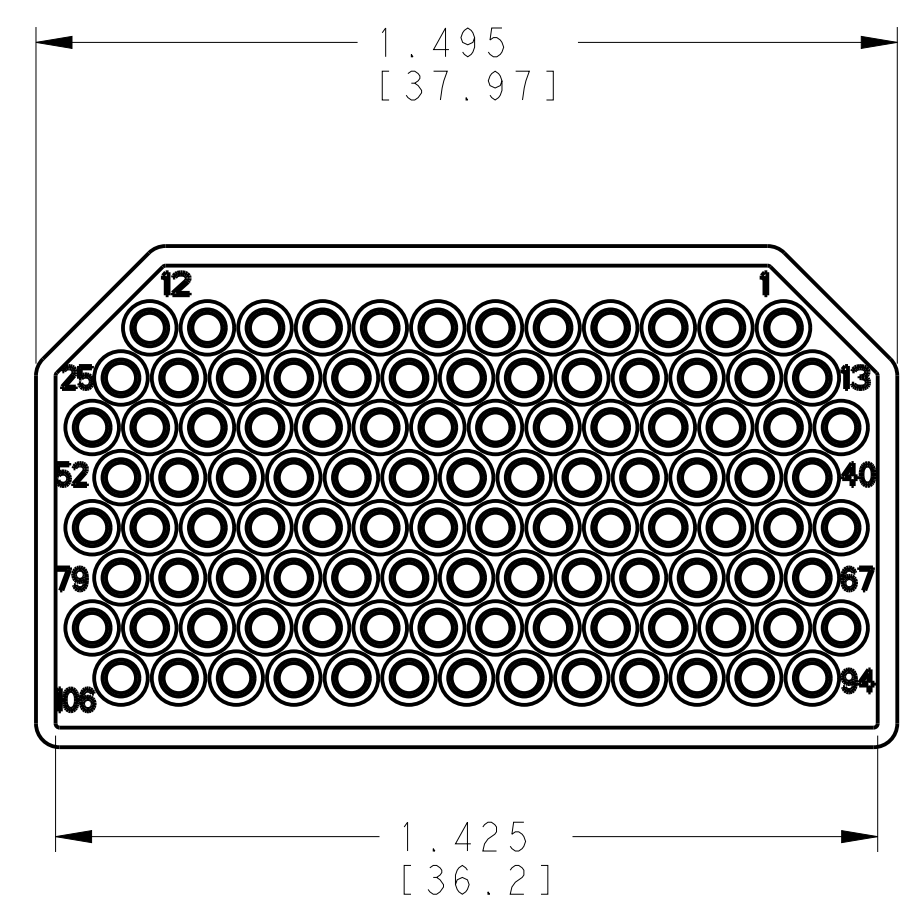


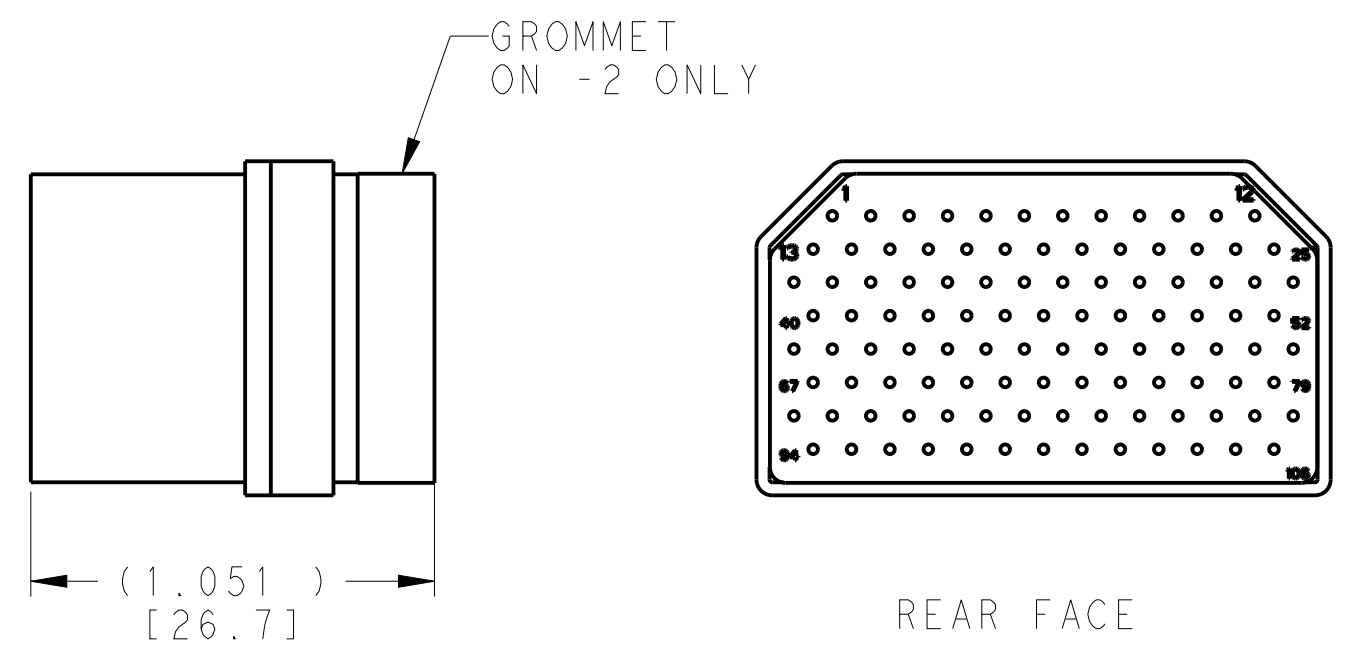
© copyright_date

REVISIONS				
P	LTR	DESCRIPTION	DATE	APVD
	A	RELEASED	16JUN2021	CT RL

1. ACCEPTS SIZE 22 REAR RELEASE PIN CONTACTS



446675-1 SHOWN



446675-2 SHOWN SCALE 2:1

RME & MME	446675-2
R, RM, M & MN	446675-1
SERIES REF	PART NO.

THIS DRAWING IS A CONTROLLED DOCUMENT.		DWN C.C. THOMAS 6-16-21	TE Connectivity	
DIMENSIONS: INCHES [mm]		CHK R. LACUESTA 6-16-21		
TOLERANCES UNLESS OTHERWISE SPECIFIED:		APVD R. LACUESTA 6-16-21	NAME PIN INSERT ASSEMBLY, ARR 106P, PRESS FIT, ARINC 404	
0 PLC ±	1 PLC ±	PRODUCT SPEC	SIZE CAGE CODE DRAWING NO RESTRICTED TO	
2 PLC ±	3 PLC ±.005 [0.13]	APPLICATION SPEC	A200779 C-446675	
4 PLC ±	ANGLES ±	WEIGHT	SCALE 3:1 SHEET 1 OF 1 REV A	
FINISH		CUSTOMER DRAWING		