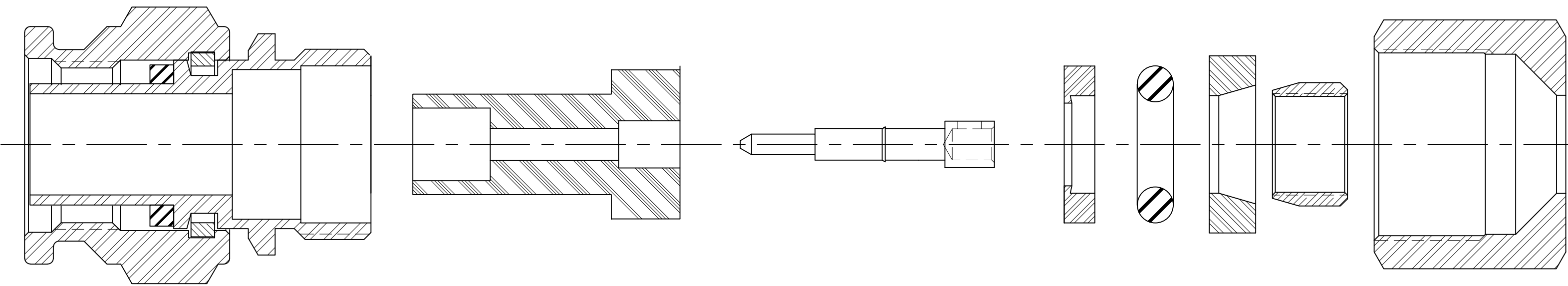


THIS DRAWING IS UNPUBLISHED. RELEASED FOR PUBLICATION
 © COPYRIGHT - TE Connectivity Ltd. ALL RIGHTS RESERVED.

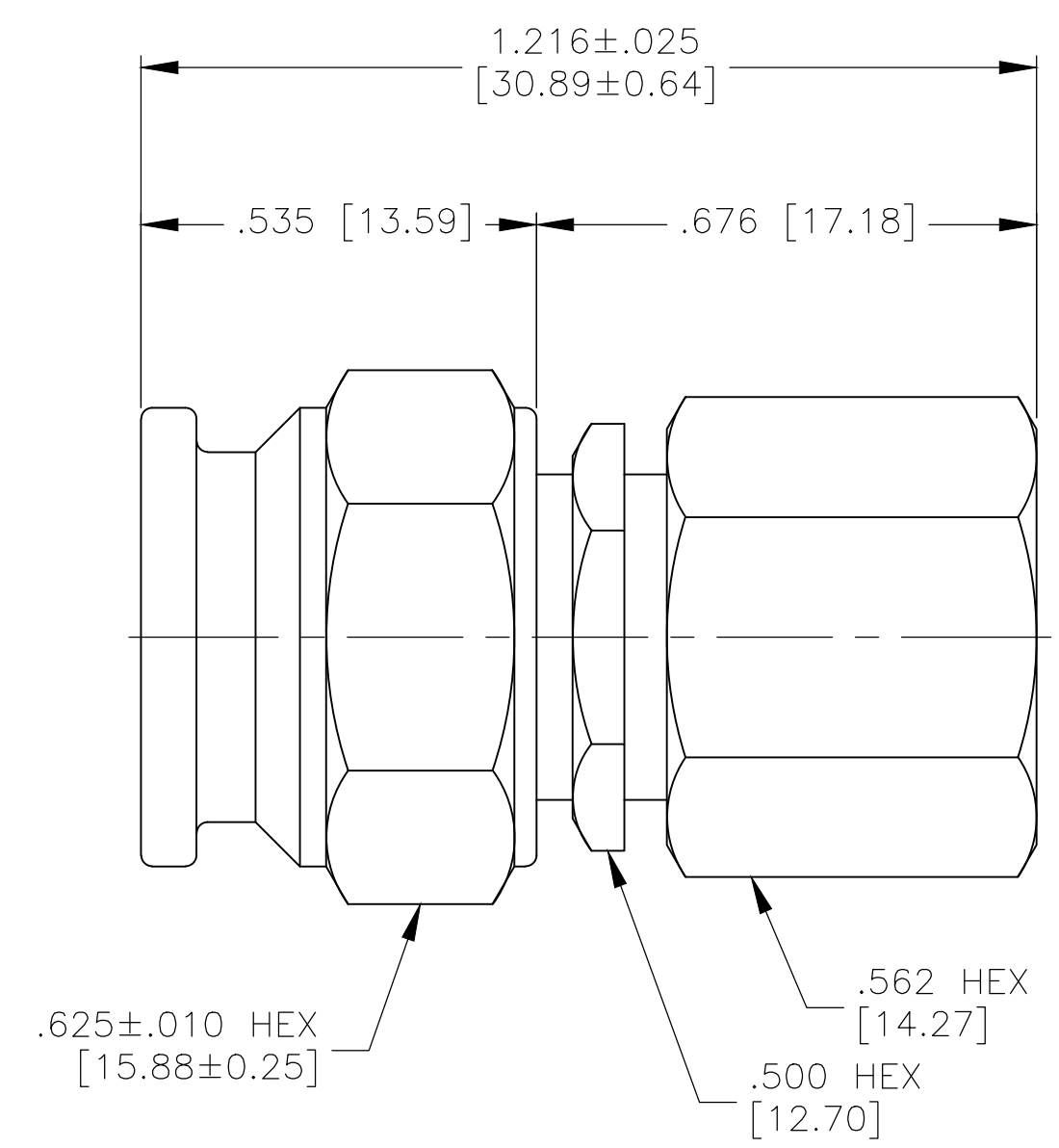
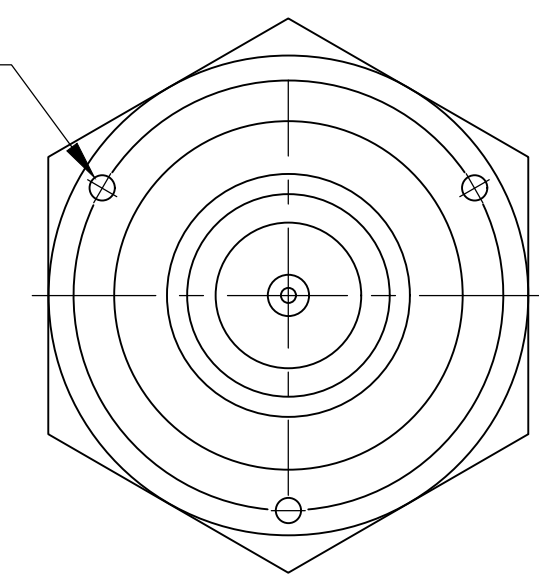
REVISIONS					
P	LTR	DESCRIPTION	DATE	DWN	APVD
A		REV PER ECO 20-000165	1-6-19	CT	PR



AS SHIPPED TO CUSTOMER

ELECTRICAL	MECHANICAL	ENVIRONMENTAL
Nominal Impedance (Ohms) 50	Interface Dimensions MIL-STD-348, Fig. 313-1	TEMPERATURE RATING -65°C TO +125°C
Frequency Range (GHz) DC to 15.0	Recommended Mating Torque 12-15 LBS	Vibration MIL-STD-202, Method 204, Condition B
Volt Rating (VRMS MAX) @ Sea Level 500	Mating Characteristics:	Shock MIL-STD-202, Method 213, Condition I
VSWR 1.07 + .007f(GHz)	Insertion (MAX Lbs) 2.0	Thermal Shock MIL-STD-202, Method 107, Condition B, EXCEPT HIGH TEMP +115°C
Insertion Loss (dB MAX) .06 √f GHz	Withdrawal (MIN Oz) 2.0	Moisture Resistance MIL-STD-202, Method 106 Except Vibration Shall Be Omitted
RF Leakage (dB MIN) -(90-f GHz)	Force to Engage and Disengage (In-Lbs MAX) 2.0	Corrosion - MIL-STD-202, Method 101, Condition B, 5% salt spray
Corona, 70,000 Ft (VRMS MIN) 375	Center Contact Captivation Axial (Lbs) 175	
Dielectric Withstanding Voltage (VRMS MIN) @ Sea Level 1,500		
Contact Resistance (Milliohms MAX) Center Contact 2.0 Outer Contact 2.0 Cable to Housing 5.0		
RF High Potential @ Sea Level (VRMS MIN @ 5 MHz) 1,000		
I.R.(Megohms MIN) 5,000		

∅.033 [∅0.84]
 3 PLC @
 120° APART



ASSEMBLED VIEW

COMPONENT	MATERIAL	FINISH
HOUSING COUPLING NUT CLAMP NUT	STAINLESS STEEL PER ASTM-A484 AND ASTM-A582, TYPE 303	PASSIVATE PER ASTM-A380
DIELECTRIC	TFE FLUOROCARBON PER ASTM-D-1457, MIL-P-19468, AND FED. SPEC L-P-403	N/A
CENTER CONTACT BUSHING	BERYLLIUM COPPER PER ASTM-B-196, ALLOY C17300	GOLD PLATE PER ASTM-B-488 OVER COPPER PLATE PER MIL-C-14550
RETAINING RING	BERYLLIUM COPPER PER ASTM-B-196	N/A
GASKET	SILICONE RUBBER PER ZZ-R-765	N/A
O-RING	VITON "A" PER MIL-R-45897	N/A

DESIGNED TO USE	
∅.250 SEMI-RIGID CABLE	
CABLE ENTRY DIAMETER MIN	
CONTACT:	.079 [2.01]
BUSHING:	.253 [6.42]
BUSHING:	.254 [6.45]
BUSHING:	.249 [6.32]
CLAMP NUT:	.254 [6.45]

DIMENSIONS:		TOLERANCES UNLESS OTHERWISE SPECIFIED:	
INCHES [mm]			
0 PLC	± -		
1 PLC	± -		
2 PLC	± -		
3 PLC	± .005 [0.13]		
4 PLC	± -		
ANGLES	± -		
MATERIAL	SEE TABLE	FINISH	SEE TABLE

THIS DRAWING IS A CONTROLLED DOCUMENT.					
DWN	C.C.THOMAS	1-22-04			
CHK	R.GROSS	1-23-04			
APVD	R.GROSS	1-23-04			
PRODUCT SPEC					
APPLICATION SPEC	31-131				
WEIGHT	0.000000				
CUSTOMER DRAWING					

1663258-1
 PART NO.



OST STRAIGHT CABLE PLUG
 COMPRESSION CLAMP ATTACHMENT

SIZE	CAGE CODE	DRAWING NO	RESTRICTED TO
A2	00779	1663258	-