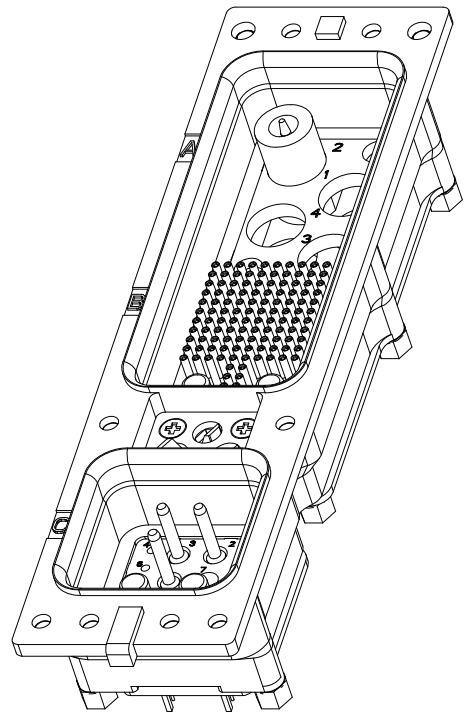


THE DRAWING IS UNPUBLISHED.
 RELEASED FOR PUBLICATION
 © copyright - by - ALL RIGHTS RESERVED

REVISIONS				
P	LN	DESCRIPTION	DATE	BY / APPR
E	REV PER	ECO-17-013637	09-20-17	DCB / RL



- CONNECTOR DIMENSIONS ARE PER ARINC 600 SPECIFICATION.
- CONNECTOR IS SUPPLIED WITH A DUST COVER INSTALLED; NOT SHOWN.
- KEYING SHOWN IN POSITION FOR ILLUSTRATION ONLY. CONNECTORS SHIPPED WITH KEYING INSTALLED IN POSITION PER TABLE FOR POSITION "00" KEYING HARDWARE SHIPPED UNASSEMBLED.
- SIZE 22 AND SIZE 12 CONTACTS NOT SHOWN IN FRONT AND REAR VIEWS FOR CLARITY.

- △ DIMENSION TO CONTACT POST IS WITH CONTACTS FULLY SEATED TO REAR OF CONTACT CAVITIES.
- △ THE FOLLOWING CONTACTS AND FILLER PLUGS ARE LOADED IN THIS CONNECTOR:
- MODULE A:
 P/N 1663625-1 (SIZE 1 FILLER PLUG; QTY = 3) POSITIONS 1, 3 & 4.
 P/N 1757669-1 (MODIFIED SIZE 1 COAX PIN ADAPTER; QTY = 1) POSITION 2.
- MODULE B:
 P/N 211431-6 (SIZE 22 POSTED CONTACT; QTY = 118)
 P/N 448540-3 (POSTED SIZE 8 PIN COAX; QTY = 2)
- MODULE C:
 P/N 1663129-5 (SIZE 12 POSTED CONTACT; QTY = 3) POSITIONS 2, 3 & 8.
 P/N 1663535-1 (POSTED SIZE 5 PIN COAX; QTY = 2) POSITIONS 12 & 13.
 P/N 1663767-6 (SIZE 20 FILLER PLUG; QTY = 4) POSITIONS 1, 4, 5 & 6.
 P/N 1663767-7 (SIZE 16 FILLER PLUG; QTY = 3) POSITIONS 9, 10 & 11.
 P/N 1663767-8 (SIZE 12 FILLER PLUG; QTY = 1) POSITION 7.

- △ THE FOLLOWING CONTACTS AND FILLER PLUGS ARE LOADED IN THIS CONNECTOR:
- MODULE A:
 P/N 1663625-1 (SIZE 1 FILLER PLUG; QTY = 3) POSITIONS 1, 3 & 4.
 P/N 1757669-1 (MODIFIED SIZE 1 COAX PIN ADAPTER; QTY = 1) POSITION 2.
- MODULE B:
 S2 22 NON-REMOVABLE POSTED SOCKET CONTACT (QTY = 118)
 P/N 448540-3 (POSTED SIZE 8 PIN COAX; QTY = 2)
- MODULE C:
 P/N 1663129-5 (SIZE 12 POSTED CONTACT; QTY = 3) POSITIONS 2, 3 & 8.
 P/N 1663535-1 (POSTED SIZE 5 PIN COAX; QTY = 2) POSITIONS 12 & 13.
 P/N 1663767-6 (SIZE 20 FILLER PLUG; QTY = 4) POSITIONS 1, 4, 5 & 6.
 P/N 1663767-7 (SIZE 16 FILLER PLUG; QTY = 3) POSITIONS 9, 10 & 11.
 P/N 1663767-8 (SIZE 12 FILLER PLUG; QTY = 1) POSITION 7.

- △ STANDOFF FASTENER TORQUE TO BE 3.5-4.5 in-lb
- △ STANDOFF FASTENER TORQUE TO BE 5.5-6.5 in-lbs

COMPONENT	MATERIAL	FINISH
SHELL	ALUMINUM ALLOY A380 PER ASTM-B-85	ELECTROLESS NICKEL PER MIL-C-26074
RETENTION PLATES	ALUMINUM ALLOY PER ASTM-B-209	ELECTROLESS NICKEL PER MIL-C-26074
PAN HEAD SCREWS AND LOCKWASHERS	STAINLESS STEEL	PASSIVATED
FLAT HEAD SCREWS (FOR KEYING HARDWARE)	STAINLESS STEEL	PASSIVATED
POLARIZING KEYS	ZINC ALLOY PER ASTM-B-86	-
POLARIZING KEY RETAINING PLATE	ALUMINUM ALLOY PER ASTM-B-209	BLUE ANODIZED PER MIL-A-8625
C4 INSERT	DIE CAST ALUMINUM PER ASTM-B-85.	ELECTROLESS NICKEL PER MIL-C-26074
120T2 & 13C2 INSERTS	THERMOSET OR THERMOPLASTIC PPS PER MIL-M-24519	-
STANDOFF	STAINLESS STEEL	PASSIVATED

03	△	1757691-2
03	△	1757691-1
KEYING POSITION	CONTACTS INCLUDED AND INSTALLED	PART NUMBER

THIS DRAWING IS A CONTROLLED DOCUMENT. DR: C.C.THOMAS 2-7-05
 DATE: 2-14-05
 DR: K.HOGAN
 DATE: 2-14-05
 DR: K.HOGAN
 DATE: 2-14-05

TE TE Connectivity

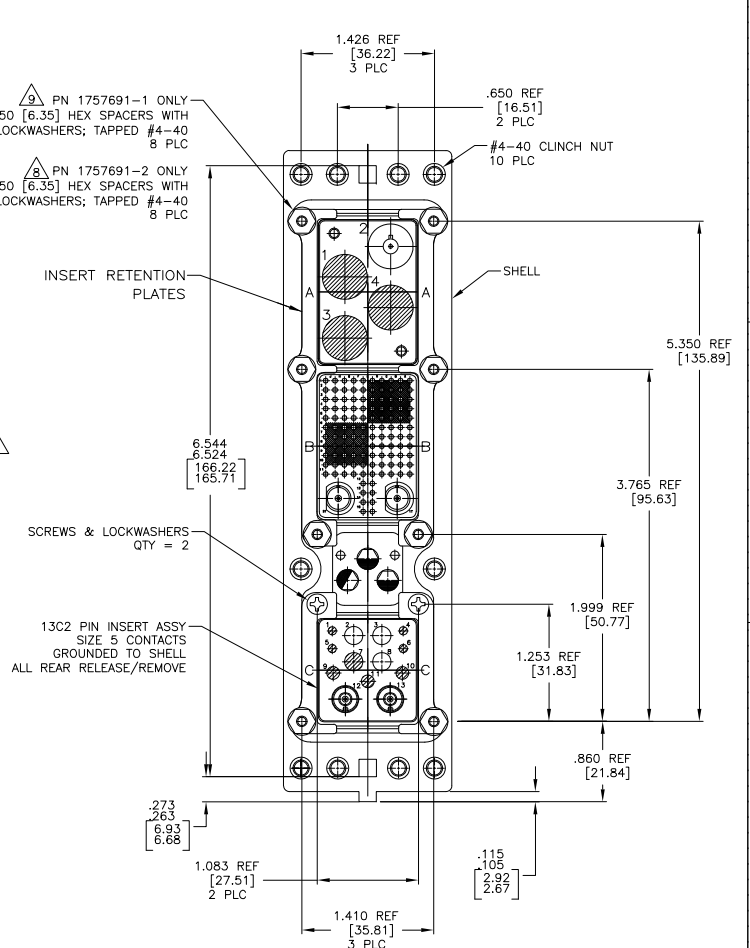
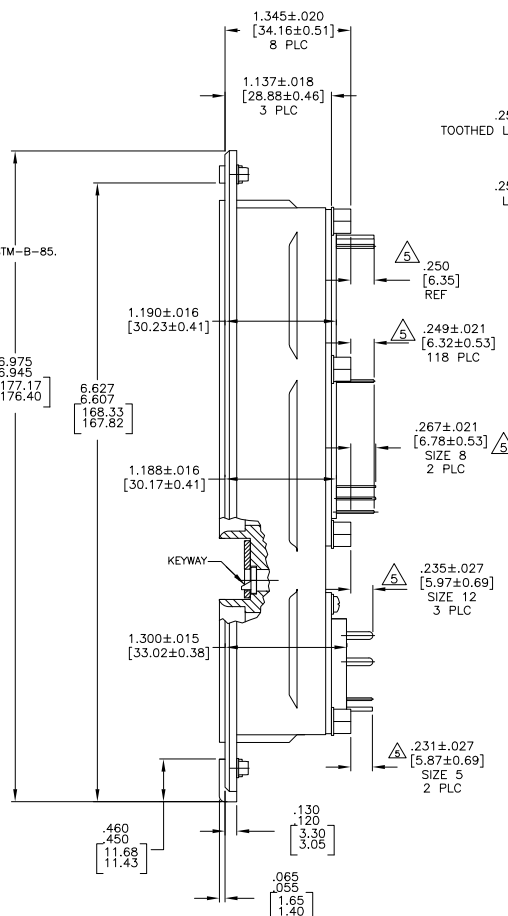
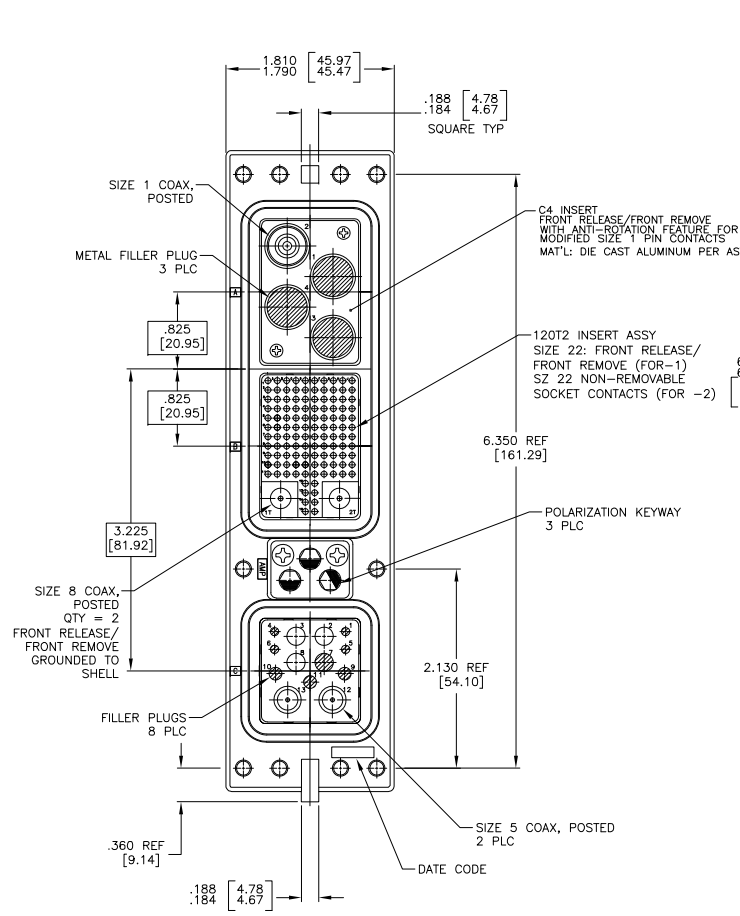
RCPT ASSY, SIZE 2, SEALED, ARINC 600 (C4/120T2/13C2)

APPLICATION SPEC: -

SIZE: 0 CASE CODE (DRAWING NO): A100779C=1757691

RESTRICTED TO: -

CUSTOMER DRAWING SCALE: 3/2 SHEET: 1 of 2 REV: F



THIS DRAWING IS A CONTROLLED DOCUMENT.		REV. 2-7-05	C.C. THOMAS	
DIMENSIONS: UNLESS OTHERWISE SPECIFIED:		REV. 2-14-05	K. HOGAN	
INCHES (mm)		REV. 2-14-05	K. HOGAN	
Ø	±	REV. 2-14-05	K. HOGAN	
1	±	REV. 2-14-05	K. HOGAN	
2	±	REV. 2-14-05	K. HOGAN	
3	±	REV. 2-14-05	K. HOGAN	
4	±	REV. 2-14-05	K. HOGAN	
5	±	REV. 2-14-05	K. HOGAN	
6	±	REV. 2-14-05	K. HOGAN	
7	±	REV. 2-14-05	K. HOGAN	
8	±	REV. 2-14-05	K. HOGAN	
9	±	REV. 2-14-05	K. HOGAN	
10	±	REV. 2-14-05	K. HOGAN	
11	±	REV. 2-14-05	K. HOGAN	
12	±	REV. 2-14-05	K. HOGAN	
13	±	REV. 2-14-05	K. HOGAN	
14	±	REV. 2-14-05	K. HOGAN	
15	±	REV. 2-14-05	K. HOGAN	
16	±	REV. 2-14-05	K. HOGAN	
17	±	REV. 2-14-05	K. HOGAN	
18	±	REV. 2-14-05	K. HOGAN	
19	±	REV. 2-14-05	K. HOGAN	
20	±	REV. 2-14-05	K. HOGAN	
21	±	REV. 2-14-05	K. HOGAN	
22	±	REV. 2-14-05	K. HOGAN	
23	±	REV. 2-14-05	K. HOGAN	
24	±	REV. 2-14-05	K. HOGAN	
25	±	REV. 2-14-05	K. HOGAN	
26	±	REV. 2-14-05	K. HOGAN	
27	±	REV. 2-14-05	K. HOGAN	
28	±	REV. 2-14-05	K. HOGAN	
29	±	REV. 2-14-05	K. HOGAN	
30	±	REV. 2-14-05	K. HOGAN	
31	±	REV. 2-14-05	K. HOGAN	
32	±	REV. 2-14-05	K. HOGAN	
33	±	REV. 2-14-05	K. HOGAN	
34	±	REV. 2-14-05	K. HOGAN	
35	±	REV. 2-14-05	K. HOGAN	
36	±	REV. 2-14-05	K. HOGAN	
37	±	REV. 2-14-05	K. HOGAN	
38	±	REV. 2-14-05	K. HOGAN	
39	±	REV. 2-14-05	K. HOGAN	
40	±	REV. 2-14-05	K. HOGAN	
41	±	REV. 2-14-05	K. HOGAN	
42	±	REV. 2-14-05	K. HOGAN	
43	±	REV. 2-14-05	K. HOGAN	
44	±	REV. 2-14-05	K. HOGAN	
45	±	REV. 2-14-05	K. HOGAN	
46	±	REV. 2-14-05	K. HOGAN	
47	±	REV. 2-14-05	K. HOGAN	
48	±	REV. 2-14-05	K. HOGAN	
49	±	REV. 2-14-05	K. HOGAN	
50	±	REV. 2-14-05	K. HOGAN	
51	±	REV. 2-14-05	K. HOGAN	
52	±	REV. 2-14-05	K. HOGAN	
53	±	REV. 2-14-05	K. HOGAN	
54	±	REV. 2-14-05	K. HOGAN	
55	±	REV. 2-14-05	K. HOGAN	
56	±	REV. 2-14-05	K. HOGAN	
57	±	REV. 2-14-05	K. HOGAN	
58	±	REV. 2-14-05	K. HOGAN	
59	±	REV. 2-14-05	K. HOGAN	
60	±	REV. 2-14-05	K. HOGAN	
61	±	REV. 2-14-05	K. HOGAN	
62	±	REV. 2-14-05	K. HOGAN	
63	±	REV. 2-14-05	K. HOGAN	
64	±	REV. 2-14-05	K. HOGAN	
65	±	REV. 2-14-05	K. HOGAN	
66	±	REV. 2-14-05	K. HOGAN	
67	±	REV. 2-14-05	K. HOGAN	
68	±	REV. 2-14-05	K. HOGAN	
69	±	REV. 2-14-05	K. HOGAN	
70	±	REV. 2-14-05	K. HOGAN	
71	±	REV. 2-14-05	K. HOGAN	
72	±	REV. 2-14-05	K. HOGAN	
73	±	REV. 2-14-05	K. HOGAN	
74	±	REV. 2-14-05	K. HOGAN	
75	±	REV. 2-14-05	K. HOGAN	
76	±	REV. 2-14-05	K. HOGAN	
77	±	REV. 2-14-05	K. HOGAN	
78	±	REV. 2-14-05	K. HOGAN	
79	±	REV. 2-14-05	K. HOGAN	
80	±	REV. 2-14-05	K. HOGAN	
81	±	REV. 2-14-05	K. HOGAN	
82	±	REV. 2-14-05	K. HOGAN	
83	±	REV. 2-14-05	K. HOGAN	
84	±	REV. 2-14-05	K. HOGAN	
85	±	REV. 2-14-05	K. HOGAN	
86	±	REV. 2-14-05	K. HOGAN	
87	±	REV. 2-14-05	K. HOGAN	
88	±	REV. 2-14-05	K. HOGAN	
89	±	REV. 2-14-05	K. HOGAN	
90	±	REV. 2-14-05	K. HOGAN	
91	±	REV. 2-14-05	K. HOGAN	
92	±	REV. 2-14-05	K. HOGAN	
93	±	REV. 2-14-05	K. HOGAN	
94	±	REV. 2-14-05	K. HOGAN	
95	±	REV. 2-14-05	K. HOGAN	
96	±	REV. 2-14-05	K. HOGAN	
97	±	REV. 2-14-05	K. HOGAN	
98	±	REV. 2-14-05	K. HOGAN	
99	±	REV. 2-14-05	K. HOGAN	
100	±	REV. 2-14-05	K. HOGAN	
101	±	REV. 2-14-05	K. HOGAN	
102	±	REV. 2-14-05	K. HOGAN	
103	±	REV. 2-14-05	K. HOGAN	
104	±	REV. 2-14-05	K. HOGAN	
105	±	REV. 2-14-05	K. HOGAN	
106	±	REV. 2-14-05	K. HOGAN	
107	±	REV. 2-14-05	K. HOGAN	
108	±	REV. 2-14-05	K. HOGAN	
109	±	REV. 2-14-05	K. HOGAN	
110	±	REV. 2-14-05	K. HOGAN	
111	±	REV. 2-14-05	K. HOGAN	
112	±	REV. 2-14-05	K. HOGAN	
113	±	REV. 2-14-05	K. HOGAN	
114	±	REV. 2-14-05	K. HOGAN	
115	±	REV. 2-14-05	K. HOGAN	
116	±	REV. 2-14-05	K. HOGAN	
117	±	REV. 2-14-05	K. HOGAN	
118	±	REV. 2-14-05	K. HOGAN	
119	±	REV. 2-14-05	K. HOGAN	
120	±	REV. 2-14-05	K. HOGAN	
121	±	REV. 2-14-05	K. HOGAN	
122	±	REV. 2-14-05	K. HOGAN	
123	±	REV. 2-14-05	K. HOGAN	
124	±	REV. 2-14-05	K. HOGAN	
125	±	REV. 2-14-05	K. HOGAN	
126	±	REV. 2-14-05	K. HOGAN	
127	±	REV. 2-14-05	K. HOGAN	
128	±	REV. 2-14-05	K. HOGAN	
129	±	REV. 2-14-05	K. HOGAN	
130	±	REV. 2-14-05	K. HOGAN	
131	±	REV. 2-14-05	K. HOGAN	
132	±	REV. 2-14-05	K. HOGAN	
133	±	REV. 2-14-05	K. HOGAN	
134	±	REV. 2-14-05	K. HOGAN	
135	±	REV. 2-14-05	K. HOGAN	
136	±	REV. 2-14-05	K. HOGAN	
137	±	REV. 2-14-05	K. HOGAN	
138	±	REV. 2-14-05	K. HOGAN	
139	±	REV. 2-14-05	K. HOGAN	
140	±	REV. 2-14-05	K. HOGAN	
141	±	REV. 2-14-05	K. HOGAN	
142	±	REV. 2-14-05	K. HOGAN	
143	±	REV. 2-14-05	K. HOGAN	
144	±	REV. 2-14-05	K. HOGAN	
145	±	REV. 2-14-05	K. HOGAN	
146	±	REV. 2-14-05	K. HOGAN	
147	±	REV. 2-14-05	K. HOGAN	
148	±	REV. 2-14-05	K. HOGAN	
149	±	REV. 2-14-05	K. HOGAN	
150	±	REV. 2-14-05	K. HOGAN	
151	±	REV. 2-14-05	K. HOGAN	
152	±	REV. 2-14-05	K. HOGAN	
153	±	REV. 2-14-05	K. HOGAN	
154	±	REV. 2-14-05	K. HOGAN	
155	±	REV. 2-14-05	K. HOGAN	
156	±	REV. 2-14-05	K. HOGAN	
157	±	REV. 2-14-05	K. HOGAN	
158	±	REV. 2-14-05	K. HOGAN	
159	±	REV. 2-14-05	K. HOGAN	
160	±	REV. 2-14-05	K. HOGAN	
161	±	REV. 2-14-05	K. HOGAN	
162	±	REV. 2-14-05	K. HOGAN	
163	±	REV. 2-14-05	K. HOGAN	
164	±	REV. 2-14-05	K. HOGAN	
165	±	REV. 2-14-05	K. HOGAN	
166	±	REV. 2-14-05	K. HOGAN	
167	±	REV. 2-14-05	K. HOGAN	
168	±	REV. 2-14-05	K. HOGAN	
169	±	REV. 2-14-05	K. HOGAN	
170	±	REV. 2-14-05	K. HOGAN	
171	±	REV. 2-14-05	K. HOGAN	
172	±	REV. 2-14-05	K. HOGAN	
173	±	REV. 2-14-05	K. HOGAN	
174	±	REV. 2-14-05	K. HOGAN	
175	±	REV. 2-14-05	K. HOGAN	
176	±	REV. 2-14-05	K. HOGAN	
177	±	REV. 2-14-05	K. HOGAN	
178	±	REV. 2-14-05	K. HOGAN	
179	±	REV. 2-14-05	K. HOGAN	
180	±	REV. 2-14-05	K. HOGAN	
181	±	REV. 2-14-05	K. HOGAN	
182	±	REV. 2-14-05	K. HOGAN	
183	±	REV. 2-14-05	K. HOGAN	
184	±	REV. 2-14-05	K. HOGAN	
185	±	REV. 2-14-05	K. HOGAN	
186	±	REV. 2-14-05	K. HOGAN	
187	±	REV. 2-14-05	K. HOGAN	
188	±	REV. 2-14-05	K. HOGAN	
189	±	REV. 2-14-05	K. HOGAN	
190	±	REV. 2-14-05	K. HOGAN	
191	±	REV. 2-14-05	K. HOGAN	
192	±	REV. 2-14-05	K. HOGAN	
193	±	REV. 2-14-05	K. HOGAN	
194	±	REV. 2-14-05	K. HOGAN	
195	±	REV. 2-14-05	K. HOGAN	
196	±	REV. 2-14-05	K. HOGAN	
197	±	REV. 2-14-05	K. HOGAN	
198	±	REV. 2-14-05	K. HOGAN	
199	±	REV. 2-14-05		