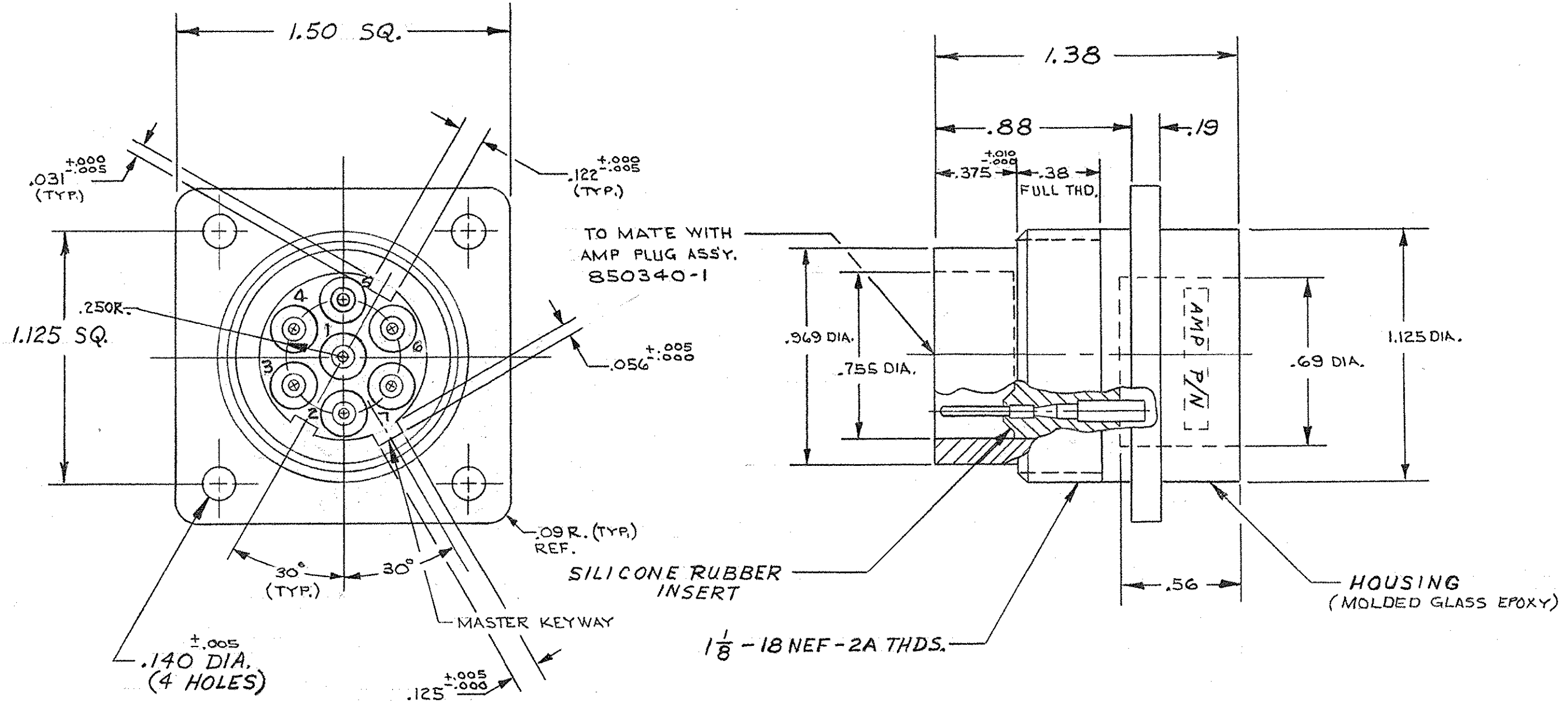


© 1968 BY AMP INCORPORATED. ALL RIGHTS RESERVED. AMP PRODUCTS COVERED BY PATENTS AND/OR PATENTS PENDING.

THIS PRODUCT DESIGNED AND BUILT BY AMP INCORPORATED. NO LICENSE TO USE THAT DESIGN IN MANUFACTURE, OR TO USE ANY ISSUED OR PENDING PATENTS WHICH ARE INVOLVED, IS IMPLIED.

REVISIONS					
ZONE	LTR	DESCRIPTION	DATE	APPROVED	
	-	REF SD 252153			
C-4	A	REV. PIN NO'S	6-7-68	gms	gms
2-C	B	SHORTENED LENGTH OF THD.	10/20/68	6-17-68	gms
2-B, 2-C, 4-B	C	ADDED .69, .56, .09 R, 30° DIMS.	10/20/68	8-5-68	
2-C, 3-B, 3-C, 4-C	D	ADDED .031, .122, .056, .125, .250 R, .375, .38, .949, .755 DIMS.	10/20/68	9-19-68	gms



- NOTES:
- CUSTOMER TO ATTACH LEADS & ENCAPSULATE AGAINST BREAKDOWN.
 - PINS ARE #20 GA.
 - CONTACT NO'S. ARE MARKED ON RECP.

PART NO IS THIS DWG-1

QTY REQD	QTY REQD	ITEM NO.	DWG SIZE	PART OR IDENTIFYING NO.	NOMENCLATURE OR DESCRIPTION	SYMBOL
-2	-1				PARTS LIST	
UNLESS OTHERWISE SPECIFIED: DIMENSIONS ARE IN INCHES TOLERANCES .00 = ±.03 ANGLES = ±0°30' .000 = ±.010				CONTRACT NO. DR L. Geib 5-2-68		AMP INCORPORATED CAPITRON DIVISION ELIZABETHTOWN, PENNSYLVANIA
MATERIAL: SEE ABOVE				CHK		
FINISH: NATURAL				APPD		NAME 7 PIN RECEPTACLE WITH MOUNTING FLANGE (LGH)
NEXT ASSY				DSGN APPD		
QTY REQD				OTHER APPD		SIZE C
APPLICATION				850342-1		CODE IDENT NO. 00779
						NUMBER 850341
						SCALE
						WT
						SHEET 10/1