

## Specifications

Electrical Ratings	200mA @ 30VDC	Dielectric Strength	1000Vrms min
Electrical Life	10,000 cycles typical	Insulation Resistance	>100MΩ min
Contact Resistance	<50mΩ initial	Operating Temperature	-40°C to 85°C
Actuation Force	200 ± 100gF	Storage Temperature	-40°C to 85°C
Actuation Travel	3.0mm total		

## Materials

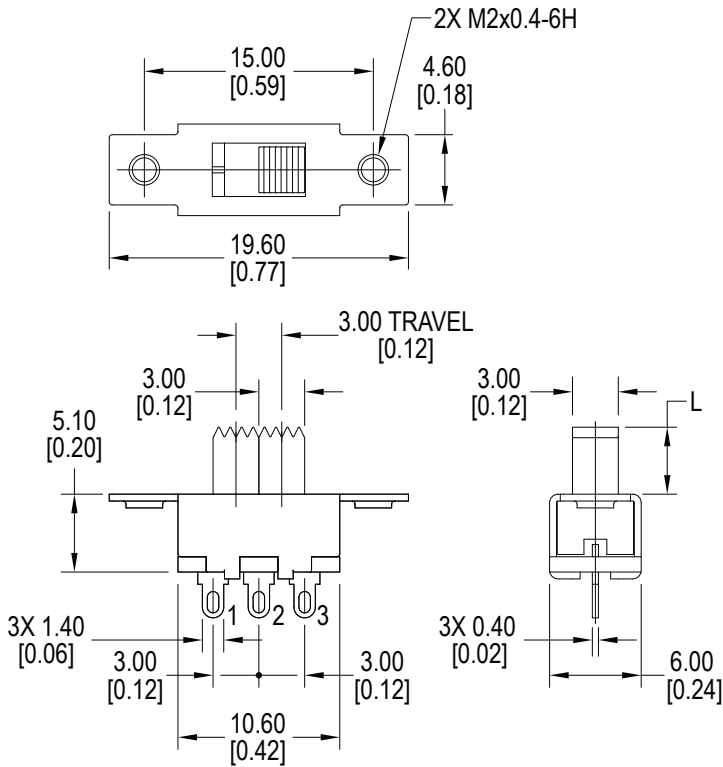
Actuator	6/6 Nylon
Housing	Steel
Base	Phenolic
Contacts	Phosphor Bronze, Silver Plated
Terminals	Brass, Silver Plated

## Ordering Information

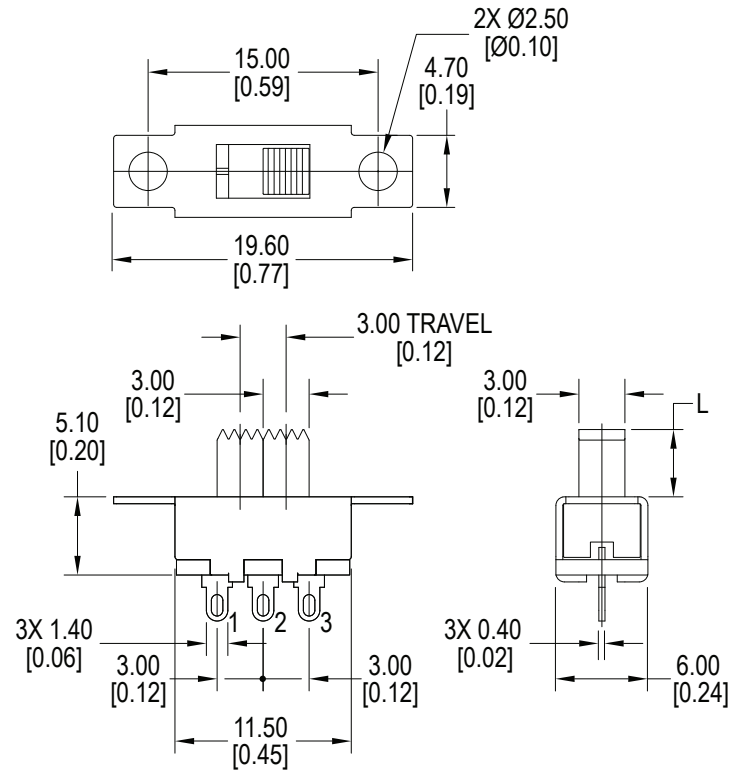
1. Series	MS1201	L4	A
	MS1201		
2. Actuator Length			
L2 = 2mm			
L4 = 4mm			
L5 = 5mm			
3. Mounting Holes			
A = Threaded M2 x P0.4			
B = Non-Threaded - 2.2 dia			

**Dimensions**

Threaded



Non-Threaded



**Schematics & PC Layouts**

