

FLT-SEC-P-T1-350/25-P - Type 1 surge protection plug



2905422

<https://www.phoenixcontact.com/us/products/2905422>

Please be informed that the data shown in this PDF document is generated from our online catalog. Please find the complete data in the user documentation. Our general terms of use for downloads are valid.



Replacement plug for lightning current arresters from the FLASHTRAB SEC PLUS 350 product range, for L-N and L-PEN paths.

Your advantages

- Surge protection family for universal use with optimum energy coordination from the lightning current arrester to the device protection
- Easy to maintain due to consistently pluggable protection modules
- Excellent level of information provided by mechanical/visual status indicator and remote indication contact
- Optimum protective effect in the event of high-energy lightning currents, thanks to spark gap technology with low residual voltage characteristic
- Low voltage protection level for direct protection of end devices in the main distribution area

Commercial data

Item number	2905422
Packing unit	1 pc
Minimum order quantity	1 pc
Sales key	CL01
Product key	CL1171
Catalog page	Page 37 (C-4-2019)
GTIN	4046356950107
Weight per piece (including packing)	254 g
Weight per piece (excluding packing)	262.5 g
Customs tariff number	85363010
Country of origin	DE

FLT-SEC-P-T1-350/25-P - Type 1 surge protection plug



2905422

<https://www.phoenixcontact.com/us/products/2905422>

Technical data

Notes

General

Note	Max. single impulse: 100 kA (8/20 μ s)
	SPD according to AS/NZS 1768 Cat. C3

Product properties

Product type	Replacement plug
Product family	SEC Family
IEC test classification	I / II
	I
	T1 / T2
	T1
EN type	T1 / T2
	T1
IEC power supply system	TN
	TT
Type	Male
Number of positions	1
Surge protection fault message	optical

Insulation characteristics

Overvoltage category	III
Pollution degree	2

Electrical properties

Nominal frequency f_N	50 Hz (60 Hz)
-------------------------	---------------

Connection data

Connection method	pluggable
-------------------	-----------

Dimensions

Dimensional drawing	
Width	35.5 mm
Height	46.6 mm
Depth	59.4 mm
Horizontal pitch	2 Div.

FLT-SEC-P-T1-350/25-P - Type 1 surge protection plug



2905422

<https://www.phoenixcontact.com/us/products/2905422>

Material specifications

Color	light grey (RAL 7035) gray (RAL 7042)
Flammability rating according to UL 94	V-0
CTI value of material	600
Insulating material	PA6.6-FR 20% GF PBT-FR
Material group	I
Housing material	PA 6.6-FR 20 % GF PBT-FR

Protective circuit

Mode of protection	L-N L-PEN
Direction of action	L-N / L-PEN
Nominal voltage U_N	240 V AC (TN) 240 V AC (TT)
Nominal frequency f_N	50 Hz (60 Hz)
Maximum continuous voltage U_C	350 V AC
Nominal discharge current I_n (8/20) μ s	25 kA
Maximum discharge current I_{max} (8/20) μ s	50 kA
Impulse discharge current (10/350) μ s, charge	12.5 As
Impulse discharge current (10/350) μ s, specific energy	160 kJ/ Ω
Impulse discharge current (10/350) μ s, peak value I_{imp}	25 kA
Follow current interrupt rating I_{fi}	50 kA
Short-circuit current rating I_{SCCR}	50 kA
Voltage protection level U_p	≤ 1.5 kV
Residual voltage U_{res}	≤ 1.5 kV (at I_n)
Front of wave sparkover voltage at 6 kV (1.2/50) μ s	≤ 1.5 kV
TOV behavior at U_T	415 V AC (5 s / withstand mode) 457 V AC (120 min / withstand mode)
Response time t_A	≤ 100 ns
Max. backup fuse with branch wiring	315 A (gG)

Additional technical data

Short-circuit current rating I_{SCCR}	100 kA (264 V AC)
Follow current interrupt rating I_{fi}	100 kA (264 V AC)

Environmental and real-life conditions

Ambient conditions

Degree of protection	IP20
Ambient temperature (operation)	-40 °C ... 80 °C
Ambient temperature (storage/transport)	-40 °C ... 80 °C

FLT-SEC-P-T1-350/25-P - Type 1 surge protection plug



2905422

<https://www.phoenixcontact.com/us/products/2905422>

Altitude	≤ 2000 m (amsl)
Permissible humidity (operation)	5 % ... 95 %
Shock (operation)	30g (Half-sine / 11 ms / 3x ±X, ±Y, ±Z)
Vibration (operation)	5g (5 - 500 Hz/2.5 h/X, Y, Z)

Approvals

UL specifications

Maximum continuous operating voltage MCOV	350 V AC
Short-circuit current rating (SCCR)	50 kA
Voltage protection rating VPR	1500 V
Nominal discharge current I_n	20 kA
Mode of protection	L-N L-G
Nominal voltage	240 V AC
Power distribution system	Single phase
Nominal frequency	50/60 Hz
SPD Type	1CA

Standards and regulations

Standards/specifications	IEC 61643-11
Note	2011

EN 61643-11

Standards/specifications	EN 61643-11
Note	2012

Mounting

Mounting type	on base element
---------------	-----------------

FLT-SEC-P-T1-350/25-P - Type 1 surge protection plug

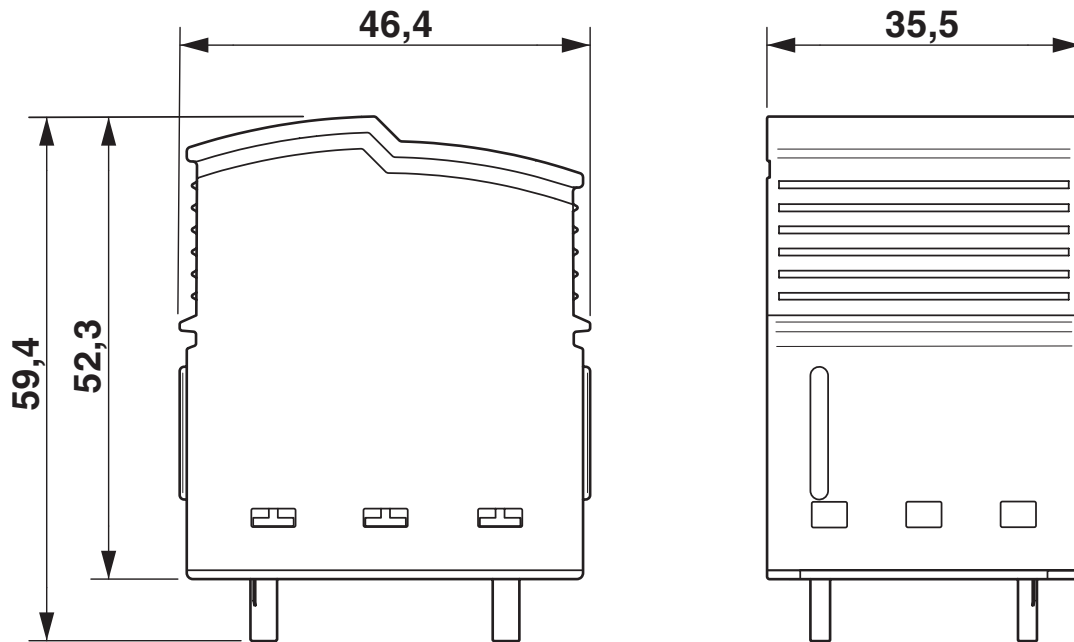


2905422

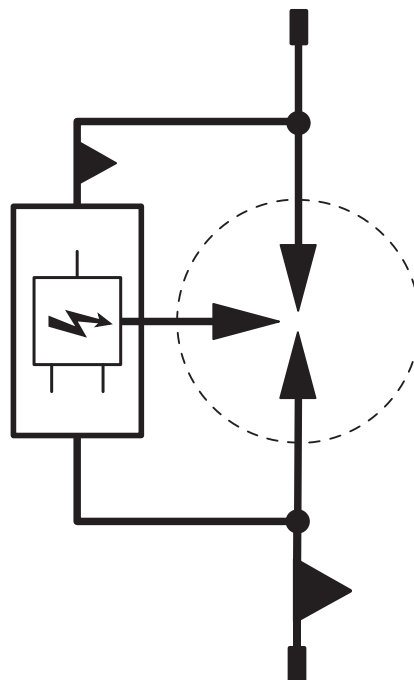
<https://www.phoenixcontact.com/us/products/2905422>

Drawings

Dimensional drawing



Circuit diagram



FLT-SEC-P-T1-350/25-P - Type 1 surge protection plug



2905422

<https://www.phoenixcontact.com/us/products/2905422>

Approvals

To download certificates, visit the product detail page: <https://www.phoenixcontact.com/us/products/2905422>



cUL Recognized
Approval ID: FILE E 330181



UL Recognized
Approval ID: FILE E 330181



IECEE CB Scheme
Approval ID: NL-56588



EAC
Approval ID: RU C-DE.*09.B.00169

CCA

Approval ID: NTR-NL 7726



KEMA-KEUR
Approval ID: 71-106982



DNV GL
Approval ID: TAE000040S

UAE-RoHS

Approval ID: 23-10-88709

cULus Recognized

FLT-SEC-P-T1-350/25-P - Type 1 surge protection plug



2905422

<https://www.phoenixcontact.com/us/products/2905422>

Classifications

ECLASS

ECLASS-11.0	27130890
ECLASS-13.0	27171292

ETIM

ETIM 9.0	EC002496
----------	----------

UNSPSC

UNSPSC 21.0	39121600
-------------	----------

FLT-SEC-P-T1-350/25-P - Type 1 surge protection plug



2905422

<https://www.phoenixcontact.com/us/products/2905422>

Environmental product compliance

EU RoHS

Fulfills EU RoHS substance requirements	Yes, No exemptions
---	--------------------

China RoHS

Environment friendly use period (EFUP)	EFUP-E
	No hazardous substances above the limits

EU REACH SVHC

REACH candidate substance (CAS No.)	No substance above 0.1 wt%
-------------------------------------	----------------------------

FLT-SEC-P-T1-350/25-P - Type 1 surge protection plug



2905422

<https://www.phoenixcontact.com/us/products/2905422>

Accessories

EML (20XE)R - Label

0803452

<https://www.phoenixcontact.com/us/products/0803452>



Label, Roll, white, unlabeled, can be labeled with: THERMOMARK E.300 (D)/600 (D), THERMOMARK ROLL 2.0, THERMOMARK ROLL, THERMOMARK ROLL X1, THERMOMARK ROLLMASTER 300/600, THERMOMARK X1.2, mounting type: adhesive, lettering field size: continuous x 20 mm, Number of individual labels: 1

EML (20XE)R YE - Label

0803453

<https://www.phoenixcontact.com/us/products/0803453>



Label, Roll, yellow, unlabeled, can be labeled with: THERMOMARK E.300 (D)/600 (D), THERMOMARK ROLL 2.0, THERMOMARK ROLL, THERMOMARK ROLL X1, THERMOMARK ROLLMASTER 300/600, THERMOMARK X1.2, mounting type: adhesive, lettering field size: continuous x 20 mm, Number of individual labels: 1

FLT-SEC-P-T1-350/25-P - Type 1 surge protection plug



2905422

<https://www.phoenixcontact.com/us/products/2905422>

B-STIFT - Marker pen

1051993

<https://www.phoenixcontact.com/us/products/1051993>



Marker pen, for manual labeling of unprinted Zack strips, smear-proof and waterproof, line thickness 0.5 mm

Phoenix Contact 2024 © - all rights reserved

<https://www.phoenixcontact.com>

Phoenix Contact USA
586 Fulling Mill Road
Middletown, PA 17057, United States
(+717) 944-1300
info@phoenixcon.com