

# SAC-4P-M8MR/1,5-542/M8FS SH BK - Sensor/actuator cable



1406008

<https://www.phoenixcontact.com/us/products/1406008>

Please be informed that the data shown in this PDF document is generated from our online catalog. Please find the complete data in the user documentation. Our general terms of use for downloads are valid.



Sensor/actuator cable, 4-position, PVC, yellow, shielded, Plug angled M8, on Socket straight M8, cable length: 1.5 m

## Commercial data

Item number	1406008
Packing unit	1 pc
Minimum order quantity	1 pc
Note	Made to order (non-returnable)
Sales key	BF13
Product key	BF1IBB
GTIN	4046356800211
Weight per piece (including packing)	70.6 g
Weight per piece (excluding packing)	70.6 g
Customs tariff number	85444290
Country of origin	US

# SAC-4P-M8MR/1,5-542/M8FS SH BK - Sensor/actuator cable



1406008

<https://www.phoenixcontact.com/us/products/1406008>

## Technical data

### Product properties

Product type	Sensor/actuator cable
Application	Standard, U.S. cables
Number of positions	4
No. of cable outlets	1
Shielded	yes
Coding	A

### Insulation characteristics

Overvoltage category	II
Degree of pollution	3

### Material specifications

Flammability rating according to UL 94	HB
Seal material	NBR
Material of grip body	TPU, hardly inflammable, self-extinguishing
Contact material	CuSn
Contact surface material	Ni/Au
Contact carrier material	TPU GF
Material for screw connection	Zinc die-cast, nickel-plated
Outer sheath, material	PVC

### Electrical properties

Insulation resistance	$\geq 100 \text{ M}\Omega$
Nominal voltage $U_N$	48 V AC
	60 V DC
Nominal current $I_N$	4 A

### Mechanical properties

#### Mechanical data

Insertion/withdrawal cycles	$\geq 100$
-----------------------------	------------

### Signaling

Status display	No
Status display present	No

### Connection data

#### Conductor connection

Tightening torque	0.2 Nm (M8 connectors)
-------------------	------------------------

### Connector

# SAC-4P-M8MR/1,5-542/M8FS SH BK - Sensor/actuator cable



1406008

<https://www.phoenixcontact.com/us/products/1406008>

## Connection 1

Type	Plug angled M8
Number of positions	4

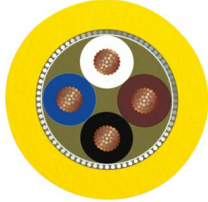
## Connection 2

Type	Socket straight M8
Number of positions	4

## Cable/line

Cable length	1.5 m
--------------	-------

## PVC yellow 105 °C [542]

Dimensional drawing	
Cable weight	37 kg/km
UL AWM Style	2517 (105 °C / 300 V)
Number of positions	4
Shielded	yes
Cable type	PVC yellow 105 °C [542]
Conductor structure signal line	32x 1.10 mm
AWG signal line	24
Wire diameter incl. insulation	1.12 mm ±0.03 mm
External cable diameter	4.90 mm ±0.2 mm
Outer sheath, material	PVC
External sheath, color	yellow
Conductor material	Tin-plated Cu litz wires
Material wire insulation	PVC
Single wire, color	brown, blue, black, white
Overall twist	4 wires, twisted
Optical shield covering	85 %
Max. conductor resistance	max. 79.7 Ω/km (20 °C)
Insulation resistance	≥ (550 M Ohms/m @ 500V)
Nominal voltage, cable	300 V
Minimum bending radius, flexible installation	12 x D
Smallest bending radius, movable installation	59 mm
Flame resistance	FT4
Other resistance	UV resistant
Ambient temperature (operation)	-30 °C ... 105 °C (cable, fixed installation)

# SAC-4P-M8MR/1,5-542/M8FS SH BK - Sensor/actuator cable



1406008

<https://www.phoenixcontact.com/us/products/1406008>

## Environmental and real-life conditions

### Ambient conditions

Degree of protection	IP65
	IP67
Ambient temperature (operation)	-25 °C ... 90 °C (Plug / socket)

## Standards and regulations

Standard designation	M8 connector
Standards/specifications	IEC 61076-2-104

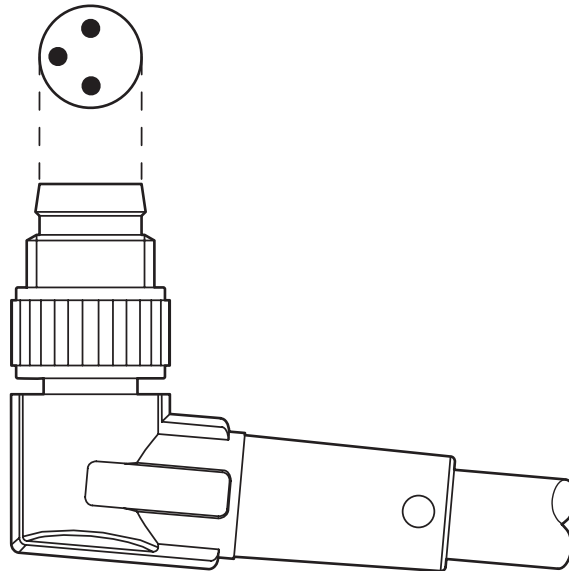
# SAC-4P-M8MR/1,5-542/M8FS SH BK - Sensor/actuator cable

1406008

<https://www.phoenixcontact.com/us/products/1406008>

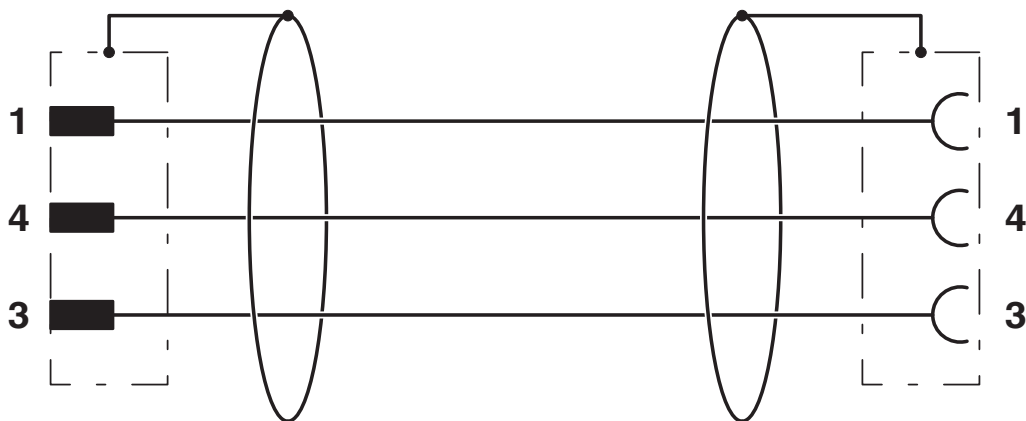
## Drawings

Schematic diagram



Layout of connector pin assignments

Circuit diagram

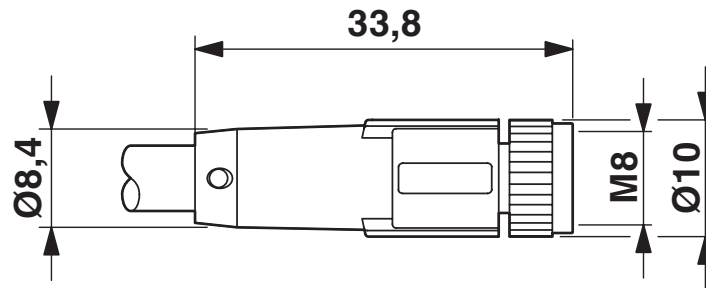


# SAC-4P-M8MR/1,5-542/M8FS SH BK - Sensor/actuator cable

1406008

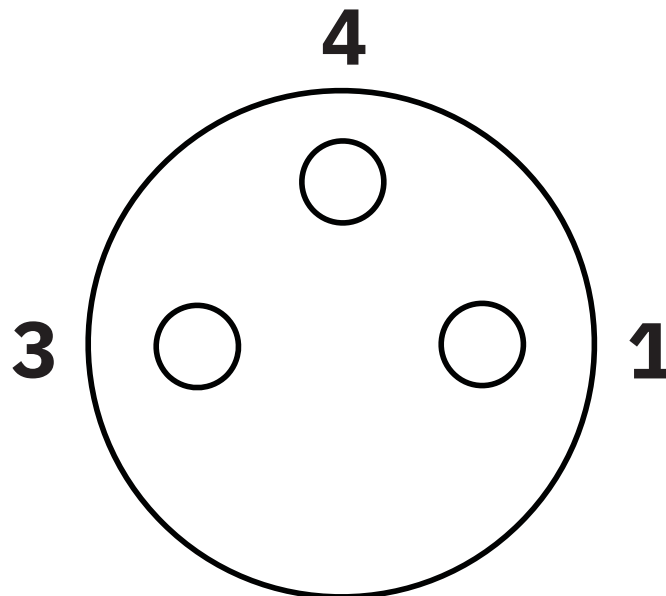
<https://www.phoenixcontact.com/us/products/1406008>

Dimensional drawing



Socket M8 x 1, straight, shielded

Schematic diagram



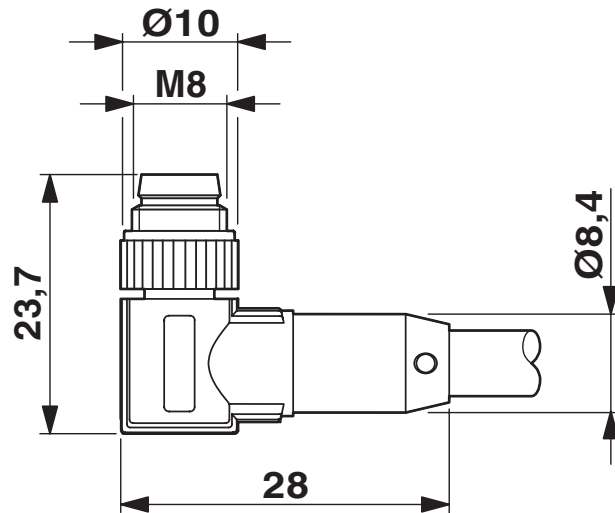
Pin assignment M8 socket, 3-pos., view female side

# SAC-4P-M8MR/1,5-542/M8FS SH BK - Sensor/actuator cable

1406008

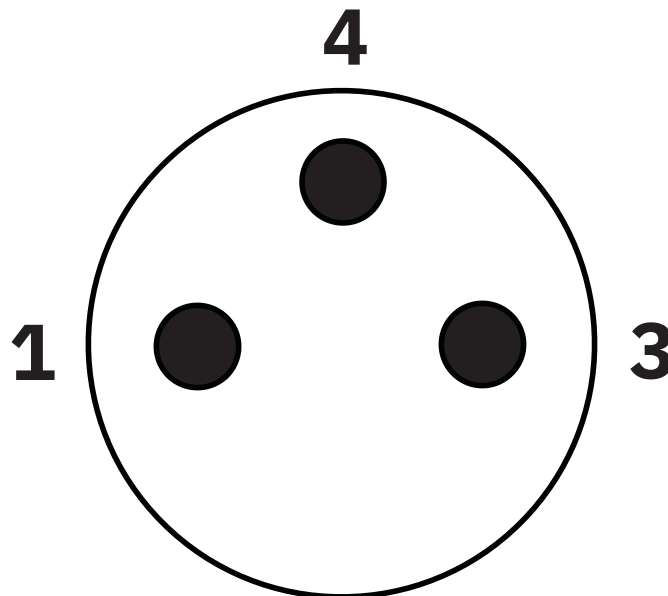
<https://www.phoenixcontact.com/us/products/1406008>

Dimensional drawing



Plug M8 x 1, angled, shielded

Schematic diagram



Pin assignment M8 plug, 3-pos., view male side

# SAC-4P-M8MR/1,5-542/M8FS SH BK - Sensor/actuator cable





1406008

<https://www.phoenixcontact.com/us/products/1406008>


## Approvals


To download certificates, visit the product detail page: <https://www.phoenixcontact.com/us/products/1406008>

 <b>UL Listed</b> Approval ID: FILE E 221474				
	Nominal voltage $U_N$	Nominal current $I_N$	Cross section AWG	Cross section $\text{mm}^2$
	125 V	4 A	-	-

 <b>cUL Listed</b> Approval ID: FILE E 221474				
	Nominal voltage $U_N$	Nominal current $I_N$	Cross section AWG	Cross section $\text{mm}^2$
	125 V	4 A	-	-

 <b>EAC-RoHS</b> Approval ID: RU D-DE.HB35.B.00387				
---	--	--	--	--

 <b>cUL Listed</b> Approval ID: FILE E 221474				
	Nominal voltage $U_N$	Nominal current $I_N$	Cross section AWG	Cross section $\text{mm}^2$
	30 V	4 A	-	-

 <b>UL Listed</b> Approval ID: FILE E 221474				
	Nominal voltage $U_N$	Nominal current $I_N$	Cross section AWG	Cross section $\text{mm}^2$
	30 V	4 A	-	-



# SAC-4P-M8MR/1,5-542/M8FS SH BK - Sensor/actuator cable



1406008

<https://www.phoenixcontact.com/us/products/1406008>

## Classifications

### ECLASS

ECLASS-11.0	27060311
ECLASS-12.0	27060311
ECLASS-13.0	27060311

### ETIM

ETIM 9.0	EC001855
----------	----------

### UNSPSC

UNSPSC 21.0	26121600
-------------	----------

# SAC-4P-M8MR/1,5-542/M8FS SH BK - Sensor/actuator cable



1406008

<https://www.phoenixcontact.com/us/products/1406008>

## Environmental product compliance

### EU RoHS

Fulfills EU RoHS substance requirements	Yes
Exemption	6(c)

### China RoHS

Environment friendly use period (EFUP)	EFUP-50
	An article-related China RoHS declaration table can be found in the download area for the respective article under "Manufacturer declaration". For all articles with EFUP-E, no China RoHS declaration table issued and required.

### EU REACH SVHC

REACH candidate substance (CAS No.)	Lead(CAS: 7439-92-1)
SCIP	d882b53c-74a2-40a5-9d1f-08fbd756ff0f

# SAC-4P-M8MR/1,5-542/M8FS SH BK - Sensor/actuator cable



1406008

<https://www.phoenixcontact.com/us/products/1406008>

## Accessories

### PROT-M 8 FS-PA-CHAIN - Sealing cap

1430857

<https://www.phoenixcontact.com/us/products/1430857>

M8 sealing cap made of plastic with fixing band for sensor cables, for M8 plugs



---

### UCT-WMT (23X4) - Conductor marker

0801453

<https://www.phoenixcontact.com/us/products/0801453>

Conductor marker, Sheet, white, unlabeled, can be labeled with: TOPMARK NEO, TOPMARK LASER, BLUEMARK ID COLOR, BLUEMARK ID, BLUEMARK CLED, THERMOMARK PRIME, THERMOMARK CARD 2.0, THERMOMARK CARD, mounting type: insert, cable diameter range: 1.5 ... 35 mm, lettering field size: 23 x 4 mm, Number of individual labels: 30



# SAC-4P-M8MR/1,5-542/M8FS SH BK - Sensor/actuator cable



1406008

<https://www.phoenixcontact.com/us/products/1406008>

## UC-WMT (23X4) - Conductor marker

0819411

<https://www.phoenixcontact.com/us/products/0819411>



Conductor marker, Sheet, white, unlabeled, can be labeled with: BLUEMARK ID COLOR, BLUEMARK ID, BLUEMARK CLED, PLOTMARK, CMS-P1-PLOTTER, mounting type: insert, cable diameter range: 1.5 ... 35 mm, lettering field size: 23 x 4 mm, Number of individual labels: 24

---

## US-WMT (23X4) - Cable marker

0828769

<https://www.phoenixcontact.com/us/products/0828769>



Cable marker, Card, white, unlabeled, can be labeled with: BLUEMARK ID COLOR, BLUEMARK ID, THERMOMARK PRIME, THERMOMARK CARD 2.0, THERMOMARK CARD, mounting type: slide-on, cable diameter range: 1.5 ... 35 mm, lettering field size: 23 x 4 mm, Number of individual labels: 56

# SAC-4P-M8MR/1,5-542/M8FS SH BK - Sensor/actuator cable



1406008

<https://www.phoenixcontact.com/us/products/1406008>

## WMTW (23X4)R - Cable marker

0831004

<https://www.phoenixcontact.com/us/products/0831004>



Cable marker, Roll, white, unlabeled, can be labeled with: THERMOMARK E.300 (D)/600 (D), THERMOMARK ROLL 2.0, THERMOMARK ROLL, THERMOMARK ROLL X1, THERMOMARK ROLLMASTER 300/600, THERMOMARK X1.2, mounting type: insert, cable diameter range: 1.5 ... 35 mm, lettering field size: 23 x 4 mm, Number of individual labels: 3000

---

## PROT-M 8 MS-PA-CHAIN - Screw plug

1430860

<https://www.phoenixcontact.com/us/products/1430860>

M8 sealing cap made of plastic with fixing band for sensor cables, for M8 sockets



# SAC-4P-M8MR/1,5-542/M8FS SH BK - Sensor/actuator cable



1406008

<https://www.phoenixcontact.com/us/products/1406008>

## B-STIFT - Marker pen

1051993

<https://www.phoenixcontact.com/us/products/1051993>



Marker pen, for manual labeling of unprinted Zack strips, smear-proof and waterproof, line thickness 0.5 mm

---

## TSD 02 SAC - Torque screwdriver

1208487

<https://www.phoenixcontact.com/us/products/1208487>



Torque screwdriver, with preset torque of 0.2 Nm and 4 mm hexagonal drive for M8 connectors

# SAC-4P-M8MR/1,5-542/M8FS SH BK - Sensor/actuator cable



1406008

<https://www.phoenixcontact.com/us/products/1406008>

## SAC BIT M8-D10 - Tool

1208461

<https://www.phoenixcontact.com/us/products/1208461>



Nut for assembling M8 connectors with longitudinal knurl and a knurl diameter of 10 mm, for 4 mm hexagonal drive

---

Phoenix Contact 2024 © - all rights reserved

<https://www.phoenixcontact.com>

Phoenix Contact USA  
586 Fulling Mill Road  
Middletown, PA 17057, United States  
(+717) 944-1300  
[info@phoenixcon.com](mailto:info@phoenixcon.com)