

QPD W 4PE2,5 M25 0,5 BK - Panel feed-through



1582565

<https://www.phoenixcontact.com/us/products/1582565>

Please be informed that the data shown in this PDF document is generated from our online catalog. Please find the complete data in the user documentation. Our general terms of use for downloads are valid.



Panel feed-through, product family: QPD, connection method: Single wires (Welded-on), number of positions: 4+PE, M25, Pin, 1 mm² ... 2.5 mm², 690 V, 20 A, PA, black, without QUICKON nut, coding: coded, 2.5 mm², wires cut flat at the end, cable length: 0.5 m

Your advantages

- Innovative and time saving - QUICKON fast connection for time saving of up to 80 % for on-site connection
- Robust throughout: housing with IP68/IP69K and IK07 protection for a wide range of applications
- Safer connection with mechanical coding to protect against mismatching, and touch-proof protection in accordance with DIN EN 0105
- Efficient - by using panel feed-throughs, devices no longer need to be opened in order to connect cables

Commercial data

Item number	1582565
Packing unit	1 pc
Minimum order quantity	1 pc
Sales key	BF50
Product key	BF6ACB
Catalog page	Page 484 (C-2-2019)
GTIN	4046356661980
Weight per piece (including packing)	110.9 g
Weight per piece (excluding packing)	109.9 g
Customs tariff number	85444290
Country of origin	PL

QPD W 4PE2,5 M25 0,5 BK - Panel feed-through



1582565

<https://www.phoenixcontact.com/us/products/1582565>

Technical data

Product properties

Product type	Panel feed-through
Product family	QPD
Type	QPD 5x2,5
Number of positions	5
Connection profile	4+PE
Position marking	1, 2, 3, N, PE
Number of connections	10
Number of connections per position	1
Coding	coded

Insulation characteristics

Overvoltage category	III
Degree of pollution	3

Connection data

Connection technology

Connection method On the device side	Single wires (Welded-on)
Frequency of connections between conductors of the same cross section	max. 10

Conductor connection

Conductor cross section flexibel	1 mm ² ... 2.5 mm ²
Conductor cross section solid	1 mm ² ... 2.5 mm ²
Connection cross section AWG	16 ... 14
Tightening torque Union nut	10 Nm
Tightening torque Locking nut	5 Nm
Wrench size Union nut	27 mm
Wrench size Locking nut	30 mm

Pin assignment

Contact Color (signal designation) Contact (optional)	1 BK
	2 BN
	3 GY
	N BU
	PE GNYE

Dimensions

Dimensional drawing	
---------------------	--

QPD W 4PE2,5 M25 0,5 BK - Panel feed-through



1582565

<https://www.phoenixcontact.com/us/products/1582565>

Width	34.6 mm
Height	34.6 mm
Length	53 mm
Diameter	34.6 mm
Wrench size	27 mm
Wrench size for mounting	27 mm

Electrical properties

Rated surge voltage (II/2)	8 kV
Rated surge voltage (III/2)	8 kV
Rated surge voltage (III/3)	6 kV
Rated current	20 A
Contact resistance	< 3 mΩ
rated voltage (II/2)	1000 V
rated voltage (III/2)	1000 V
Rated voltage (III/3)	690 V
Nominal voltage U_N	690 V AC 690 V DC
Nominal current I_N	20 A

Mechanical properties

Mechanical data

Insertion/withdrawal cycles	max. 50
-----------------------------	---------

Material specifications

Color	black (RAL 9005)
Material Housing	PA
Material Contact	Cu
Material Contact surface	Silver-plated
Flammability rating according to UL 94	V0
Material wire insulation	PVC/PE/TPE/rubber

Cable/line

Cable length	0.5 m
Structure of individual litz in acc. with VDE 0295 / smallest wire diameter	VDE 0295 class 1 to 6/min. 0.15 mm
Wire diameter including insulation	2 mm ... 3.8 mm
Position marking	1, 2, 3, N, PE
Single wire, color	black, brown, gray, blue, green/yellow
Cable cross section	2.5 mm ²
Material wire insulation	PVC/PE/TPE/rubber

Mounting

Mounting type	Front mounting M25
---------------	--------------------

QPD W 4PE2,5 M25 0,5 BK - Panel feed-through



1582565

<https://www.phoenixcontact.com/us/products/1582565>

Environmental and real-life conditions

Ambient conditions

Degree of protection	IP66
	IP68 (2 m / 24 h)
	IP69K
Ambient temperature (operation)	-40 °C ... 100 °C
Temperature when conductor connected	-5 °C ... 50 °C
Ambient temperature (storage/transport)	-40 °C ... 80 °C

QPD W 4PE2,5 M25 0,5 BK - Panel feed-through

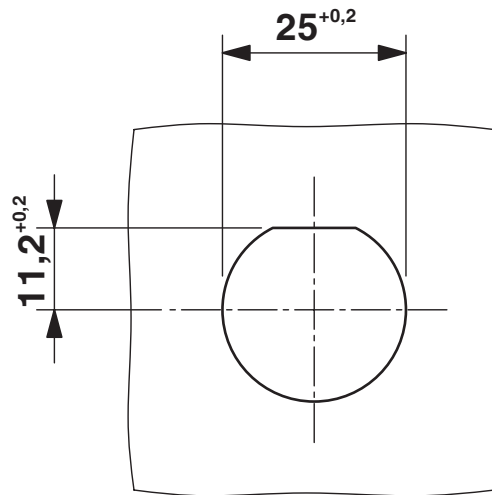


1582565

<https://www.phoenixcontact.com/us/products/1582565>

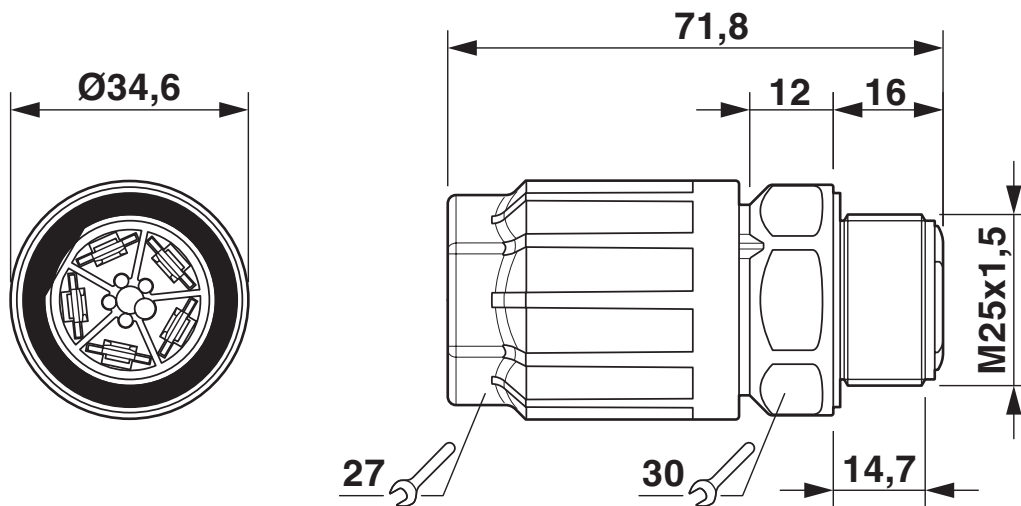
Drawings

Dimensional drawing



Panel cutout

Dimensional drawing



QPD W 4PE2.5 M25 dimensional drawing

QPD W 4PE2,5 M25 0,5 BK - Panel feed-through



1582565

<https://www.phoenixcontact.com/us/products/1582565>

Approvals

To download certificates, visit the product detail page: <https://www.phoenixcontact.com/us/products/1582565>



IECEE CB Scheme
Approval ID: DE1-65875



EAC
Approval ID: RU C-DE.BL08.B.00511



DNV GL
Approval ID: TAE00003J5



VDE Zeichengenehmigung
Approval ID: 40029149



UL Listed
Approval ID: E468743

Nominal voltage U_N	Nominal current I_N	Cross section AWG	Cross section mm^2
600 V	10 A	-	- 14



cUL Listed
Approval ID: E468743

Nominal voltage U_N	Nominal current I_N	Cross section AWG	Cross section mm^2
600 V	10 A	- 14	-

cULus Listed

QPD W 4PE2,5 M25 0,5 BK - Panel feed-through



1582565

<https://www.phoenixcontact.com/us/products/1582565>

Classifications

ECLASS

ECLASS-11.0	27440602
ECLASS-13.0	27440602
ECLASS-12.0	27440602

ETIM

ETIM 9.0	EC002566
----------	----------

UNSPSC

UNSPSC 21.0	39121500
-------------	----------

QPD W 4PE2,5 M25 0,5 BK - Panel feed-through



1582565

<https://www.phoenixcontact.com/us/products/1582565>

Environmental product compliance

EU RoHS

Fulfills EU RoHS substance requirements	Yes, No exemptions
---	--------------------

China RoHS

Environment friendly use period (EFUP)	EFUP-E
	No hazardous substances above the limits

EU REACH SVHC

REACH candidate substance (CAS No.)	No substance above 0.1 wt%
-------------------------------------	----------------------------

QPD W 4PE2,5 M25 0,5 BK - Panel feed-through

1582565

<https://www.phoenixcontact.com/us/products/1582565>

Mandatory accessories

QPD P 4PE2,5 6-11 BK - Connector

1403784

<https://www.phoenixcontact.com/us/products/1403784>



Connector, product family: QPD, connection method: IDC connection, number of positions: 4+PE, 1 mm² ... 2.5 mm², 690 V, 20 A, PA, black, external cable diameter: 6 mm ... 11 mm

QPD P 4PE2,5 6-11 TL BK - Connector

1039563

<https://www.phoenixcontact.com/us/products/1039563>



Connector, product family: QPD, connection method: IDC connection, number of positions: 4+PE, 1 mm² ... 2.5 mm², 690 V, 20 A, PA, black, with QUICKON nut, external cable diameter: 6 mm ... 11 mm

QPD W 4PE2,5 M25 0,5 BK - Panel feed-through

1582565

<https://www.phoenixcontact.com/us/products/1582565>



QPD P 4PE2,5 9-16 BK - Connector

1403782

<https://www.phoenixcontact.com/us/products/1403782>



Connector, product family: QPD, connection method: IDC connection, number of positions: 4+PE, 1 mm² ... 2.5 mm², 690 V, 20 A, PA, black, with QUICKON nut, external cable diameter: 9 mm ... 16 mm

QPD P 4PE2,5 9-16 TL BK - Connector

1039561

<https://www.phoenixcontact.com/us/products/1039561>



Connector, product family: QPD, connection method: IDC connection, number of positions: 4+PE, 1 mm² ... 2.5 mm², 690 V, 20 A, PA, black, with QUICKON nut, external cable diameter: 9 mm ... 16 mm

QPD W 4PE2,5 M25 0,5 BK - Panel feed-through

1582565

<https://www.phoenixcontact.com/us/products/1582565>



QPD N 4PE2,5 6-11 BK - Nut

1459663

<https://www.phoenixcontact.com/us/products/1459663>



QUICKON nut, black, 4+PE-pos., 1.0 mm² ... 2.5 mm²/690 V/20 A, for cables with 6 mm ... 11 mm diameter.

QPD N 4PE2,5 9-16 BK - Nut

1459647

<https://www.phoenixcontact.com/us/products/1459647>



QUICKON nut, black, 4+PE-pos., 1.0 mm² ... 2.5 mm²/690 V/20 A, for cables with 9 mm ... 16 mm diameter.

Accessories

QPD W 4PE2,5 M25 0,5 BK - Panel feed-through



1582565

<https://www.phoenixcontact.com/us/products/1582565>

CP-QPD 5X2,5 - Coding profile

1404530

<https://www.phoenixcontact.com/us/products/1404530>



Coding profile, red, for insertion into the 5-pos. QUICKON dome and connector, can be positioned in 72° increments.

QPD QSK BK 5X2,5 FS - Protective cap

1404525

<https://www.phoenixcontact.com/us/products/1404525>



Protective cap, plastic, for QUICKON connection, black, with retaining cord, IP68

QPD W 4PE2,5 M25 0,5 BK - Panel feed-through

1582565

<https://www.phoenixcontact.com/us/products/1582565>

QPD QSK 5X2,5 - Protective cap

1404528

<https://www.phoenixcontact.com/us/products/1404528>



Protective cap, transparent plastic, for 5x 2.5 mm² QPD QUICKON connection, IP50.

Q-MU M25 - Nut

1640715

<https://www.phoenixcontact.com/us/products/1640715>



Nut (plastic) to lock the contact carrier from the inside of the device

QPD W 4PE2,5 M25 0,5 BK - Panel feed-through

1582565

<https://www.phoenixcontact.com/us/products/1582565>



QPD W 4PE2,5 M20 0,5 BK - Panel feed-through

1403737

<https://www.phoenixcontact.com/us/products/1403737>



Panel feed-through, product family: QPD, connection method: Single wires (Welded-on), number of positions: 4+PE, M20, Pin, 1 mm² ... 2.5 mm², 690 V, 20 A, PA, black, without QUICKON nut, coding: coded, 2.5 mm², wires cut flat at the end, cable length: 0.5 m

QPD W 4PE2,5 M20 1,0 BK - Panel feed-through

1403739

<https://www.phoenixcontact.com/us/products/1403739>



Panel feed-through, product family: QPD, connection method: Single wires (Welded-on), number of positions: 4+PE, M20, Pin, 1 mm² ... 2.5 mm², 690 V, 20 A, PA, black, without QUICKON nut, coding: coded, 2.5 mm², wires cut flat at the end, cable length: 1 m

QPD W 4PE2,5 M25 0,5 BK - Panel feed-through

1582565

<https://www.phoenixcontact.com/us/products/1582565>



QPD W 4PE2,5 M20 FC BK - Panel feed-through

1403741

<https://www.phoenixcontact.com/us/products/1403741>



Panel feed-through, product family: QPD, connection method: Spade connection (For slip-on sleeves according to DIN 46247-2), number of positions: 4+PE, M20, Pin, 1 mm² ... 2.5 mm², 690 V, 15 A, PA, black, without QUICKON nut, coding: coded

QPD W 4PE2,5 M25 1,0 BK - Panel feed-through

1582566

<https://www.phoenixcontact.com/us/products/1582566>



Panel feed-through, product family: QPD, connection method: Single wires (Welded-on), number of positions: 4+PE, M25, Pin, 1 mm² ... 2.5 mm², 690 V, 20 A, PA, black, without QUICKON nut, coding: coded, 2.5 mm², wires cut flat at the end, cable length: 1 m

QPD W 4PE2,5 M25 0,5 BK - Panel feed-through

1582565

<https://www.phoenixcontact.com/us/products/1582565>



QPD W 4PE2,5 M25 FC BK - Panel feed-through

1582567

<https://www.phoenixcontact.com/us/products/1582567>



Panel feed-through, product family: QPD, connection method: Spade connection (For slip-on sleeves according to DIN 46247-2), number of positions: 4+PE, M25, Pin, 1 mm² ... 2.5 mm², 690 V, 20 A, PA, black, without QUICKON nut, coding: coded

QPD H 4PE2,5 BK - H distributor

1406370

<https://www.phoenixcontact.com/us/products/1406370>



QUICKON H-distributor, black, 4+PE pos., 690 V/20 A, without QUICKON nut

QPD W 4PE2,5 M25 0,5 BK - Panel feed-through

1582565

<https://www.phoenixcontact.com/us/products/1582565>



QPD C 4PE2,5 1X6-11 BK - Conductor connector

1403834

<https://www.phoenixcontact.com/us/products/1403834>



QUICKON cable connector, black, 4+PE-pos., 1.0 mm² ... 2.5 mm² / 690 V / 20 A, for 6 mm ... 11 mm cable diameter.

QPD C 4PE2,5 1X9-16 BK - Conductor connector

1403831

<https://www.phoenixcontact.com/us/products/1403831>



QUICKON cable connector, black, 4+PE-pos., 1.0 mm² ... 2.5 mm² / 690 V / 20 A, for 9 mm ... 16 mm cable diameter.

QPD W 4PE2,5 M25 0,5 BK - Panel feed-through

1582565

<https://www.phoenixcontact.com/us/products/1582565>



QPD T 4PE 2X6-11 BK - T distributor

1405403

<https://www.phoenixcontact.com/us/products/1405403>



QUICKON T-distributor, black, 4+PE-pos., 1.0 mm² ... 2.5 mm²/690 V/20 A, for cable diameter of 6 mm ... 11 mm, with two QUICKON nuts

QPD T 4PE 2X9-16 BK - T distributor

1405404

<https://www.phoenixcontact.com/us/products/1405404>



QUICKON T-distributor, black, 4+PE-pos., 1.0 mm² ... 2.5 mm²/690 V/20 A, for cable diameter of 9 mm ... 16 mm, with two QUICKON nuts

QPD W 4PE2,5 M25 0,5 BK - Panel feed-through

1582565

<https://www.phoenixcontact.com/us/products/1582565>



QSS 27 - Socket wrench

1670646

<https://www.phoenixcontact.com/us/products/1670646>



Allen wrench, for loosening and fastening the QUICKON union nut, WAF 27 mm

Phoenix Contact 2024 © - all rights reserved

<https://www.phoenixcontact.com>

Phoenix Contact USA

586 Fulling Mill Road

Middletown, PA 17057, United States

(+717) 944-1300

info@phoenixcon.com