

SAC-HZ-5P-MR/5,0-542 SCO BK - Sensor/actuator cable



1409632

<https://www.phoenixcontact.com/us/products/1409632>

Please be informed that the data shown in this PDF document is generated from our online catalog. Please find the complete data in the user documentation. Our general terms of use for downloads are valid.

Sensor/actuator cable, 5-position, PVC, yellow, Plug angled M12, coding: A, on free cable end, cable length: 5 m



Commercial data

| | |
|--------------------------------------|--------------------------------|
| Item number | 1409632 |
| Packing unit | 1 pc |
| Minimum order quantity | 1 pc |
| Note | Made to order (non-returnable) |
| Sales key | BF13 |
| Product key | BF1IGC |
| GTIN | 4055626018669 |
| Weight per piece (including packing) | 22.22 g |
| Weight per piece (excluding packing) | 22.22 g |
| Customs tariff number | 85444290 |
| Country of origin | US |

SAC-HZ-5P-MR/5,0-542 SCO BK - Sensor/actuator cable



1409632

<https://www.phoenixcontact.com/us/products/1409632>

Technical data

Notes

| | |
|---------|---|
| General | These cable assemblies are UL/cUL listed for use in Class I, Division 2 (CID2) hazardous locations. |
|---------|---|

Product properties

| | |
|----------------------|-------------------------------------|
| Product type | Sensor/actuator cable |
| Application | U.S. cables for hazardous locations |
| Number of positions | 5 |
| No. of cable outlets | 1 |
| Shielded | no |
| Coding | A |

Insulation characteristics

| | |
|----------------------|----|
| Overvoltage category | II |
| Degree of pollution | 3 |

Material specifications

| | |
|--|---|
| Flammability rating according to UL 94 | HB |
| Material of grip body | TPU, hardly inflammable, self-extinguishing |
| Contact material | CuSn |
| Contact surface material | Ni/Au |
| Contact carrier material | TPU GF |
| Material for screw connection | Zinc die-cast, nickel-plated |
| Outer sheath, material | PVC |

Electrical properties

| | |
|-----------------------|----------------------------|
| Insulation resistance | $\geq 100 \text{ M}\Omega$ |
| Nominal voltage U_N | 48 V AC 60 V DC |
| Nominal current I_N | 4 A |

Signaling

| | |
|------------------------|----|
| Status display | No |
| Status display present | No |

Connection data

Conductor connection

| | |
|-------------------|------------------------|
| Tightening torque | 0.4 Nm (M12 connector) |
|-------------------|------------------------|

Connector

Connection 1

| | |
|------|-----------------|
| Type | Plug angled M12 |
|------|-----------------|

SAC-HZ-5P-MR/5,0-542 SCO BK - Sensor/actuator cable



1409632

<https://www.phoenixcontact.com/us/products/1409632>

| | |
|-------------|---|
| Coding type | A |
|-------------|---|

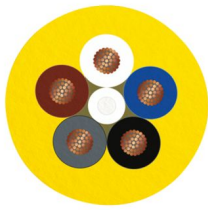
Connection 2

| | |
|------|----------------|
| Type | free cable end |
|------|----------------|

Cable/line

| | |
|--------------|-----|
| Cable length | 5 m |
|--------------|-----|

PVC yellow 105 °C [542]

| | |
|---|--|
| Dimensional drawing |  |
| Cable weight | 43 kg/km |
| UL AWM Style | 2517 (105 °C / 300 V) |
| Number of positions | 5 |
| Shielded | no |
| Cable type | PVC yellow 105 °C [542] |
| Conductor structure signal line | 30x 1.30 mm |
| AWG signal line | 22 |
| Wire diameter incl. insulation | 1.27 mm ±0.03 mm |
| External cable diameter | 5.40 mm ±0.2 mm |
| Outer sheath, material | PVC |
| External sheath, color | yellow |
| Conductor material | Tin-plated Cu litz wires |
| Material, filler | PP |
| Material wire insulation | PVC |
| Single wire, color | brown, blue, black, white, gray |
| Overall twist | 5 wires around filler to the core |
| Max. conductor resistance | max. 50.5 Ω/km (20 °C) |
| Insulation resistance | ≥ (550 M Ohms/m @ 500V) |
| Nominal voltage, cable | 300 V |
| Minimum bending radius, flexible installation | 8 x D |
| Smallest bending radius, movable installation | 44 mm |
| Flame resistance | FT4 |
| Other resistance | UV resistant |
| Special properties | UL standards PLTC and ITC |
| Ambient temperature (operation) | -30 °C ... 105 °C (cable, fixed installation) -5 °C ... 105 °C (Cable, flexible installation) |

Environmental and real-life conditions

SAC-HZ-5P-MR/5,0-542 SCO BK - Sensor/actuator cable



1409632

<https://www.phoenixcontact.com/us/products/1409632>

Ambient conditions

| | |
|---------------------------------|----------------------------------|
| Degree of protection | IP65 |
| | IP67 |
| | IP68 |
| Ambient temperature (operation) | -25 °C ... 90 °C (Plug / socket) |

Approvals

Conformity/Approvals

| | |
|------------------|------------------------------------|
| UL, USA / Canada | Class I, Div. 2, Groups A, B, C, D |
|------------------|------------------------------------|

Standards and regulations

| | |
|--------------------------|-----------------|
| Standard designation | M12 connector |
| Standards/specifications | IEC 61076-2-101 |

SAC-HZ-5P-MR/5,0-542 SCO BK - Sensor/actuator cable



1409632

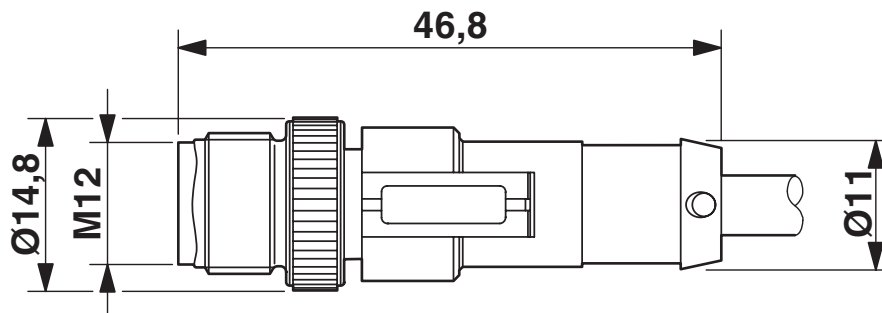
<https://www.phoenixcontact.com/us/products/1409632>

Drawings

Circuit diagram



Dimensional drawing



Plug, M12 x 1, straight, shielded

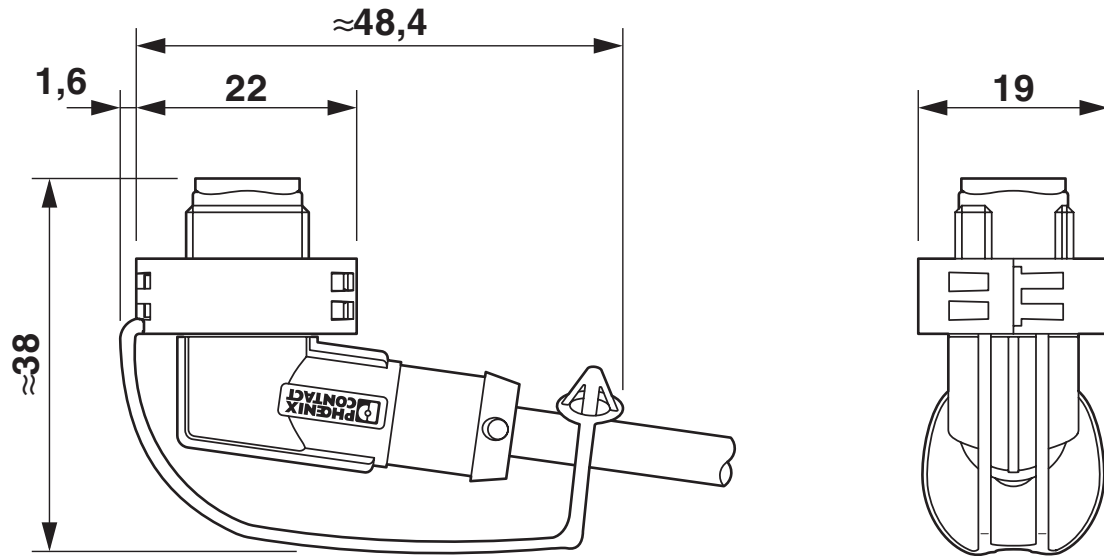
SAC-HZ-5P-MR/5,0-542 SCO BK - Sensor/actuator cable



1409632

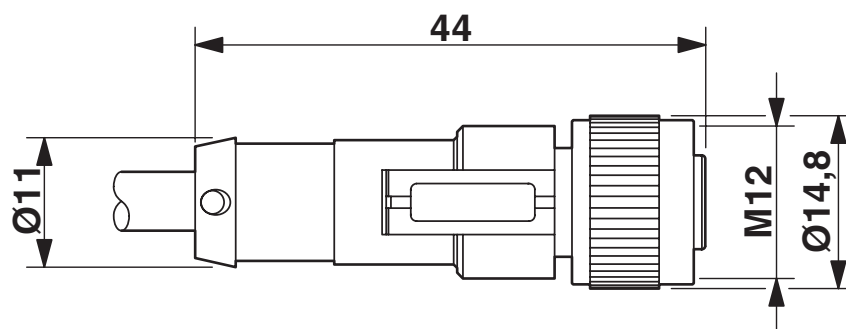
<https://www.phoenixcontact.com/us/products/1409632>

Dimensional drawing



EXCLIP mounted plug

Dimensional drawing



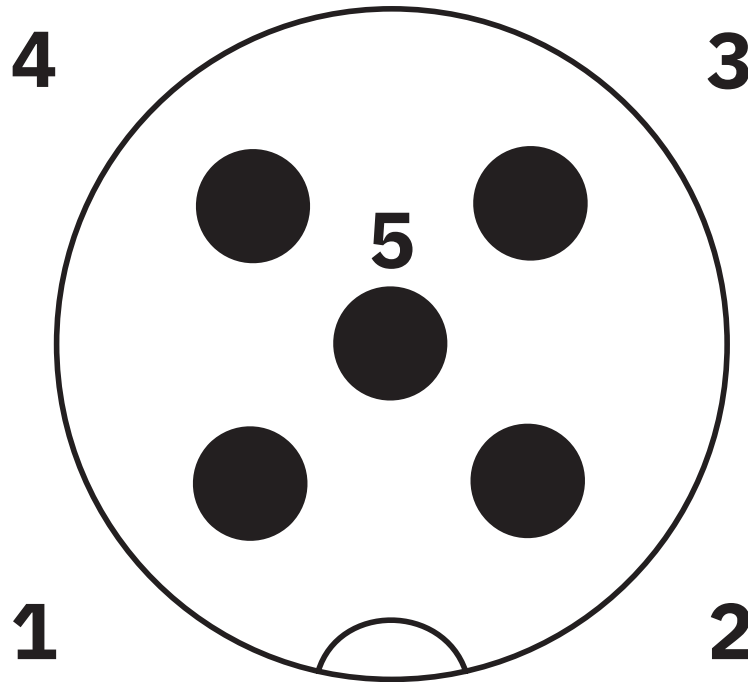
M12 x 1 socket, straight

SAC-HZ-5P-MR/5,0-542 SCO BK - Sensor/actuator cable

1409632

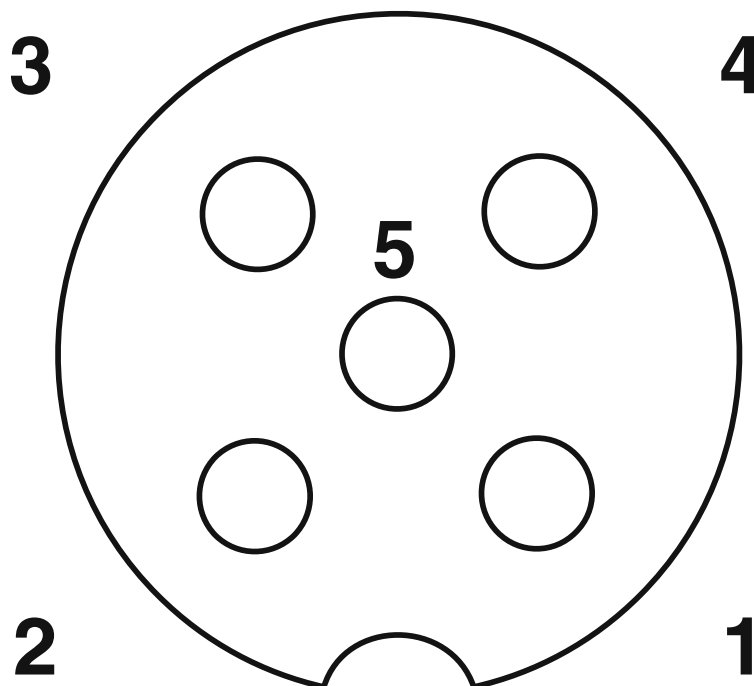
<https://www.phoenixcontact.com/us/products/1409632>

Schematic diagram



Pin assignment M12 male connector, 5-pos., A-coded, male side

Schematic diagram



Pin assignment M12 socket, 5-pos., B-coded, female side

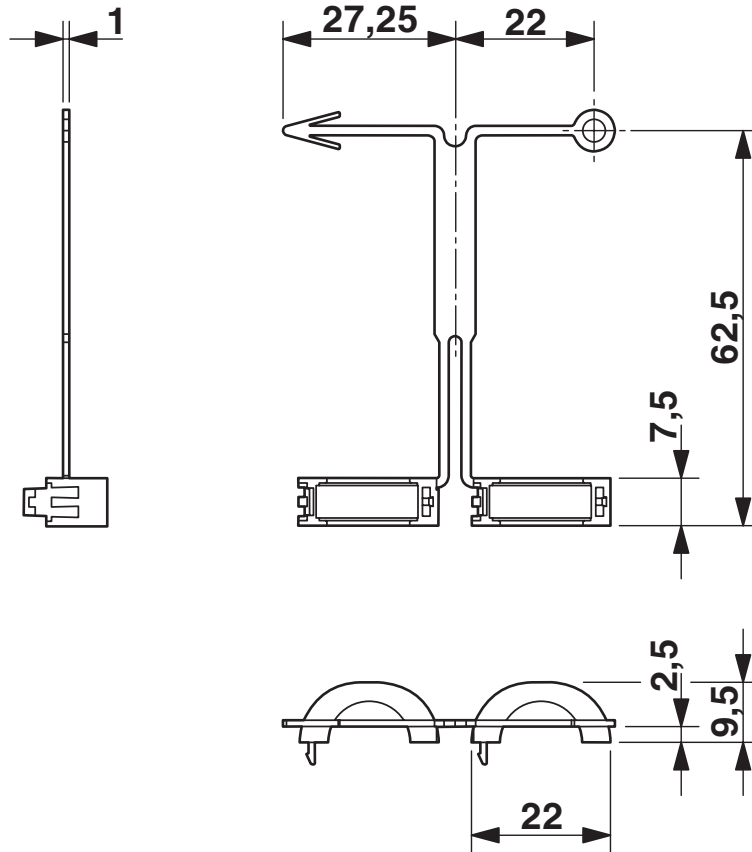
SAC-HZ-5P-MR/5,0-542 SCO BK - Sensor/actuator cable



1409632

<https://www.phoenixcontact.com/us/products/1409632>

Dimensional drawing



EXCLIP plug

SAC-HZ-5P-MR/5,0-542 SCO BK - Sensor/actuator cable



1409632

<https://www.phoenixcontact.com/us/products/1409632>

Approvals

To download certificates, visit the product detail page: <https://www.phoenixcontact.com/us/products/1409632>



EAC-RoHS

Approval ID: RU D-DE.HB35.B.00387



cUL Listed

Approval ID: FILE E 359524

| | Nominal voltage U_N | Nominal current I_N | Cross section AWG | Cross section mm^2 |
|--|-----------------------|-----------------------|-------------------|-----------------------------|
| | 150 V | 4 A | - | - |



UL Listed

Approval ID: FILE E 359524

| | Nominal voltage U_N | Nominal current I_N | Cross section AWG | Cross section mm^2 |
|--|-----------------------|-----------------------|-------------------|-----------------------------|
| | 150 V | 4 A | - | - |

cULus Listed

SAC-HZ-5P-MR/5,0-542 SCO BK - Sensor/actuator cable



1409632

<https://www.phoenixcontact.com/us/products/1409632>

Classifications

ECLASS

| | |
|-------------|----------|
| ECLASS-11.0 | 27060311 |
| ECLASS-12.0 | 27060311 |
| ECLASS-13.0 | 27060311 |

ETIM

| | |
|----------|----------|
| ETIM 9.0 | EC001855 |
|----------|----------|

UNSPSC

| | |
|-------------|----------|
| UNSPSC 21.0 | 26121600 |
|-------------|----------|

SAC-HZ-5P-MR/5,0-542 SCO BK - Sensor/actuator cable



1409632

<https://www.phoenixcontact.com/us/products/1409632>

Environmental product compliance

EU RoHS

| | |
|---|--------------------|
| Fulfills EU RoHS substance requirements | Yes, No exemptions |
|---|--------------------|

China RoHS

| | |
|--|--|
| Environment friendly use period (EFUP) | EFUP-E |
| | No hazardous substances above the limits |

EU REACH SVHC

| | |
|-------------------------------------|----------------------------|
| REACH candidate substance (CAS No.) | No substance above 0.1 wt% |
|-------------------------------------|----------------------------|

SAC-HZ-5P-MR/5,0-542 SCO BK - Sensor/actuator cable



1409632

<https://www.phoenixcontact.com/us/products/1409632>

Accessories

PROT-M12 FS-PA-CHAIN - Sealing cap

1430873

<https://www.phoenixcontact.com/us/products/1430873>

M12 sealing cap made of plastic with fixing band, for sensor cables, for free M12 plugs



SAC-M12-EXCLIP-M - Locking clip

1558988

<https://www.phoenixcontact.com/us/products/1558988>

Locking clip for the pin side of sensor/actuator cables with M12 connector and M12 connectors for assembly, for knurl diameter: 15 mm or for Allen key with a wrench size of 14 mm, prevents the disconnection of plug-in connections without tools



SAC-HZ-5P-MR/5,0-542 SCO BK - Sensor/actuator cable



1409632

<https://www.phoenixcontact.com/us/products/1409632>

PROT-M12 MS-PA-CHAIN - Screw plug

1430899

<https://www.phoenixcontact.com/us/products/1430899>

M12 sealing cap with fixing band, for sensor cables, for free M12 sockets



SAC-M12-EXCLIP-F - Locking clip

1558991

<https://www.phoenixcontact.com/us/products/1558991>

Locking clip for the socket side of sensor/actuator cables with M12 connector and M12 connectors for assembly, for knurl diameter: 15 mm or for Allen key with a wrench size of 14 mm, prevents the disconnection of plug-in connections without tools



SAC-HZ-5P-MR/5,0-542 SCO BK - Sensor/actuator cable



1409632

<https://www.phoenixcontact.com/us/products/1409632>

TSD 04 SAC - Torque screwdriver

1208429

<https://www.phoenixcontact.com/us/products/1208429>



Torque screwdriver, with preset torque of 0.4 Nm and 4 mm hexagonal drive for M12 connectors

TSD-M 1,2NM - Torque screwdriver

1212224

<https://www.phoenixcontact.com/us/products/1212224>



Torque screw driver, accuracy as per EN ISO 6789 standard, adjustable from 0.3 - 1.2 Nm

SAC-HZ-5P-MR/5,0-542 SCO BK - Sensor/actuator cable



1409632

<https://www.phoenixcontact.com/us/products/1409632>

TSD-M SAC-BIT ADAPTER - Adapter insert

1212600

<https://www.phoenixcontact.com/us/products/1212600>



Adapter bit for TSD-M...torque tools, E6.3-1/4" drive with 4 mm hexagon to accommodate SAC bits

SAC BIT M12-D15 - Tool

1208432

<https://www.phoenixcontact.com/us/products/1208432>



Nut for assembling sensor/actuator cables with M12 connector and M12 connectors for assembly, with a knurl diameter of 15 mm, for 4 mm hexagonal drive

Phoenix Contact 2024 © - all rights reserved
<https://www.phoenixcontact.com>

Phoenix Contact USA
586 Fulling Mill Road
Middletown, PA 17057, United States
(+717) 944-1300
info@phoenixcon.com