

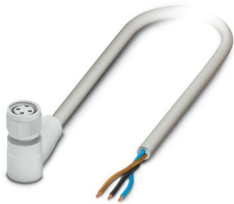
# SAC-3P- 5,0-600/M 8FR FB - Sensor/actuator cable



1406484

<https://www.phoenixcontact.com/us/products/1406484>

Please be informed that the data shown in this PDF document is generated from our online catalog. Please find the complete data in the user documentation. Our general terms of use for downloads are valid.



Sensor/actuator cable, 3-position, PP-EPDM halogen-free, gray RAL 7035, free cable end, on Socket angled M8, coding: A, cable length: 5 m, Hygienic design, with plastic knurl

## Your advantages

- Easy and safe: 100 % electrically tested plug-in components
- Contamination can be detected quickly – thanks to the light color

## Commercial data

Item number	1406484
Packing unit	1 pc
Minimum order quantity	1 pc
Sales key	BF01
Product key	BF1BBA
Catalog page	Page 140 (C-4-2013)
GTIN	4046356780513
Weight per piece (including packing)	105.7 g
Weight per piece (excluding packing)	103.9 g
Customs tariff number	85444290
Country of origin	PL

# SAC-3P- 5,0-600/M 8FR FB - Sensor/actuator cable



1406484

<https://www.phoenixcontact.com/us/products/1406484>

## Technical data

### Product properties

Product type	Sensor/actuator cable
Application	Food processing industry
Number of positions	3
No. of cable outlets	1
Shielded	no
Coding	A

### Insulation characteristics

Overvoltage category	II
Degree of pollution	3

### Material specifications

Seal material	FKM
Material of grip body	PP
Contact material	CuSn
Contact surface material	Ni/Au
Contact carrier material	PP
Material for screw connection	Polypropylene

### Electrical properties

Insulation resistance	$\geq 100 \text{ M}\Omega$
Nominal voltage $U_N$	48 V AC
	60 V DC
Nominal current $I_N$	4 A

### Mechanical properties

#### Mechanical data

Insertion/withdrawal cycles	$\geq 100$
-----------------------------	------------

### Signaling

Status display	No
Status display present	No

### Connection data

#### Conductor connection

Tightening torque	0.2 Nm (M8 connectors)
-------------------	------------------------

### Connector

#### Connection 1

Type	free cable end
------	----------------

# SAC-3P- 5,0-600/M 8FR FB - Sensor/actuator cable



1406484

<https://www.phoenixcontact.com/us/products/1406484>

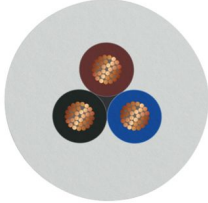
## Connection 2

Type	Socket angled M8
Number of positions	3
Coding type	A

## Cable/line

Cable length	5 m
--------------	-----

## Halogen-free PP gray [600]

Dimensional drawing	
Cable weight	19 kg/km
Number of positions	3
Shielded	no
Cable type	Halogen-free PP gray [600]
Conductor structure signal line	32x 0.10 mm
AWG signal line	24
Conductor cross section	3x 0.25 mm <sup>2</sup> (Signal line)
Wire diameter incl. insulation	1.17 mm ±0.02 mm (Signal line)
External cable diameter	4.20 mm ±0.15 mm
Outer sheath, material	PP-EPDM
External sheath, color	gray RAL 7035
Conductor material	Bare Cu litz wires
Material wire insulation	PP
Single wire, color	brown, blue, black
Thickness, insulation	≥ 0.21 mm (Core insulation)
Thickness, outer sheath	approx. 0.80 mm
Overall twist	3 wires, twisted
Length of twist, overall twist	40 mm
Max. conductor resistance	78 Ω/km (at 20 °C)
Insulation resistance	≥ 1 GΩ*km (at 20 °C)
Nominal voltage, cable	≤ 300 V AC
Test voltage	≥ 3000 V AC (Spark test)
Minimum bending radius, fixed installation	5 x D
Minimum bending radius, flexible installation	10 x D
Smallest bending radius, fixed installation	21 mm
Smallest bending radius, movable installation	42 mm
Max. bending cycles	4000000

# SAC-3P- 5,0-600/M 8FR FB - Sensor/actuator cable



1406484

<https://www.phoenixcontact.com/us/products/1406484>

Minimum bending radius, drag chain applications	10 x D
Traversing path	10 m
Traversing rate	3 m/s
Acceleration	10 m/s <sup>2</sup>
Torsion force	± 270 °/m
Torsion cycles	≥ 4000000
Torsional frequency	max. 25 (Torsion cycles/min)
Halogen-free	in accordance with DIN VDE 0472 part 815 in accordance with DIN EN 50267-2-1
Other resistance	Resistant to cold bending and cold impacts (according to DIN EN 60811-1-4 (-40 °C))
Special properties	FDA compliant according to FDA 21 CFR 177.2600 highly flexible Flexible cable conduit capable
Ambient temperature (operation)	-40 °C ... 105 °C (cable, fixed installation) -25 °C ... 105 °C (Cable, flexible installation)

## Environmental and real-life conditions

### Ambient conditions

Degree of protection	IP65 IP67 IP68 IP69K
Ambient temperature (operation)	-40 °C ... 105 °C (Plug / socket)

## Standards and regulations

### M8

Standard designation	M8 connector
Standards/specifications	IEC 61076-2-104
Standard designation	Material conformance
Standards/specifications	FDA 21 CFR 177.2600

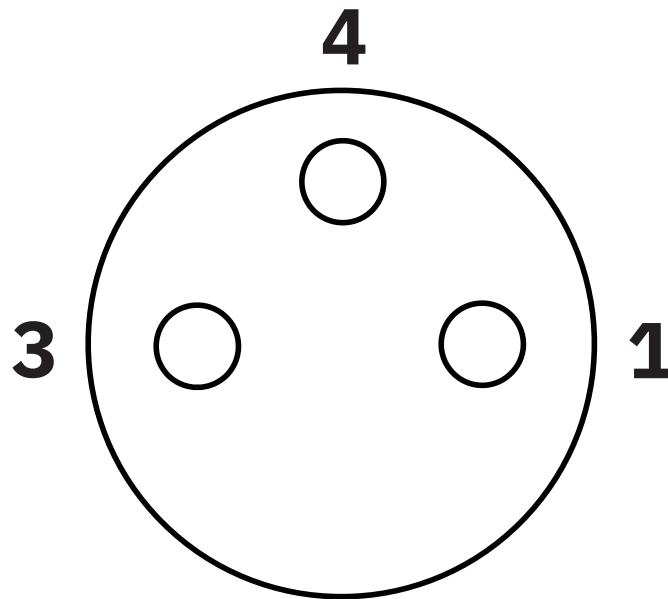
# SAC-3P- 5,0-600/M 8FR FB - Sensor/actuator cable

1406484

<https://www.phoenixcontact.com/us/products/1406484>

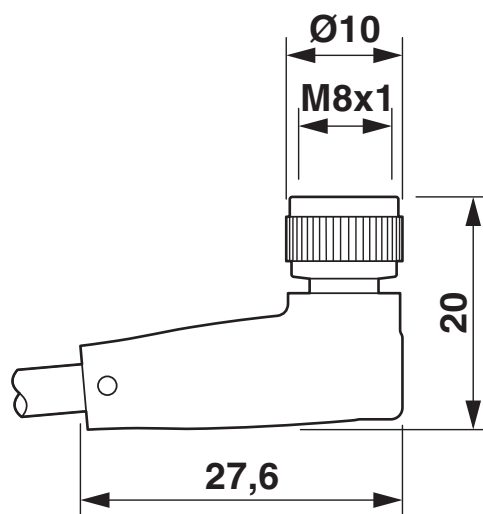
## Drawings

Schematic diagram



Pin assignment M8 socket, 3-pos., view female side

Dimensional drawing



Socket M8 x 1, angled

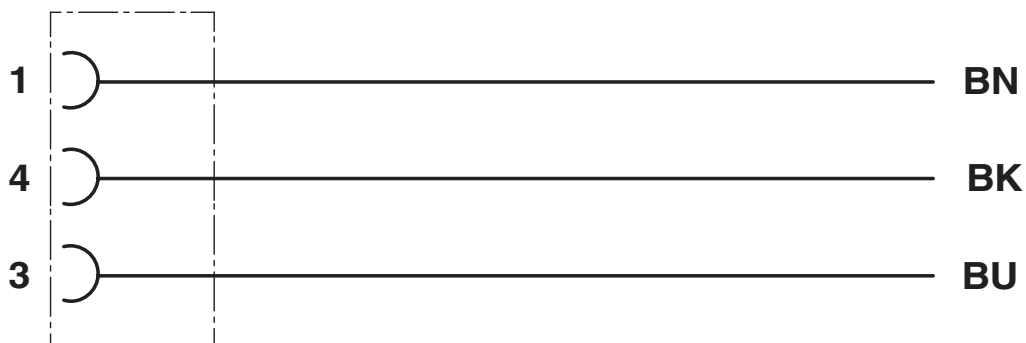
# SAC-3P- 5,0-600/M 8FR FB - Sensor/actuator cable



1406484

<https://www.phoenixcontact.com/us/products/1406484>

Circuit diagram



# SAC-3P- 5,0-600/M 8FR FB - Sensor/actuator cable



1406484

<https://www.phoenixcontact.com/us/products/1406484>

## Approvals

To download certificates, visit the product detail page: <https://www.phoenixcontact.com/us/products/1406484>



**EAC-RoHS**

Approval ID: RU D-DE.HB35.B.00387

# SAC-3P- 5,0-600/M 8FR FB - Sensor/actuator cable



1406484

<https://www.phoenixcontact.com/us/products/1406484>

## Classifications

### ECLASS

ECLASS-11.0	27060311
ECLASS-12.0	27060311
ECLASS-13.0	27060311

### ETIM

ETIM 9.0	EC001855
----------	----------

### UNSPSC

UNSPSC 21.0	26121600
-------------	----------



# SAC-3P- 5,0-600/M 8FR FB - Sensor/actuator cable



1406484

<https://www.phoenixcontact.com/us/products/1406484>

## Environmental product compliance

### EU RoHS

Fulfills EU RoHS substance requirements	Yes, No exemptions
---	--------------------

### China RoHS

Environment friendly use period (EFUP)	EFUP-E
	No hazardous substances above the limits

### EU REACH SVHC

REACH candidate substance (CAS No.)	No substance above 0.1 wt%
-------------------------------------	----------------------------

# SAC-3P- 5,0-600/M 8FR FB - Sensor/actuator cable



1406484

<https://www.phoenixcontact.com/us/products/1406484>

## Accessories

### CUTFOX-S VDE - Diagonal cutter

1212207

<https://www.phoenixcontact.com/us/products/1212207>



Diagonal cutter for hard (piano wire) and soft wires, VDE 1000 V AC/1500 V DC tested

---

### WIREFOX SAC - Stripping tool

1212623

<https://www.phoenixcontact.com/us/products/1212623>



Stripping pliers, for halogen-free sensor/actuator cables (SAC cables), with PUR and PVC insulation, from Ø of 4.4 to 7 mm, any stripping length

# SAC-3P- 5,0-600/M 8FR FB - Sensor/actuator cable



1406484

<https://www.phoenixcontact.com/us/products/1406484>

## WIREFOX 10 - Stripping tool

1212150

<https://www.phoenixcontact.com/us/products/1212150>



Stripping tool, for cables and conductors from 0.02 - 10 mm<sup>2</sup>, self-adjusting, stripping length of up to 18 mm, cutting capacity of up to 10 mm<sup>2</sup> stranded/1.5 mm<sup>2</sup> solid, replaceable stripping blade

---

## TSD 02 SAC - Torque screwdriver

1208487

<https://www.phoenixcontact.com/us/products/1208487>



Torque screwdriver, with preset torque of 0.2 Nm and 4 mm hexagonal drive for M8 connectors

# SAC-3P- 5,0-600/M 8FR FB - Sensor/actuator cable



1406484

<https://www.phoenixcontact.com/us/products/1406484>

## SAC BIT M8-D10 - Tool

1208461

<https://www.phoenixcontact.com/us/products/1208461>



Nut for assembling M8 connectors with longitudinal knurl and a knurl diameter of 10 mm, for 4 mm hexagonal drive

---

Phoenix Contact 2024 © - all rights reserved

<https://www.phoenixcontact.com>

Phoenix Contact USA  
586 Fulling Mill Road  
Middletown, PA 17057, United States  
(+717) 944-1300  
[info@phoenixcon.com](mailto:info@phoenixcon.com)