

G-INVEN-M20-M67N-NNES-S - Cable gland



1424540

<https://www.phoenixcontact.com/us/products/1424540>

Please be informed that the data shown in this PDF document is generated from our online catalog. Please find the complete data in the user documentation. Our general terms of use for downloads are valid.



Cable gland, material for screw connection: Brass, nickel-plated, application: Standard, external cable diameter 6 mm ... 11 mm, shielding: no, connecting thread: M20 x 1.5, color: silver, with pressure compensation element and O-ring

Product description

Cable gland with integrated pressure compensation element. Prevents low pressure forming in the housing. Membrane: resistant to water and dirt

Your advantages

- Reduces the formation of condensation
- Screw connection with integrated pressure compensation element

Commercial data

Item number	1424540
Packing unit	1 pc
Minimum order quantity	1 pc
Sales key	BF68
Product key	BF7DAX
Catalog page	Page 694 (C-2-2019)
GTIN	4055626374451
Weight per piece (including packing)	44.6 g
Weight per piece (excluding packing)	41.5 g
Customs tariff number	74198090
Country of origin	TR

G-INVEN-M20-M67N-NNES-S - Cable gland



1424540

<https://www.phoenixcontact.com/us/products/1424540>

Technical data

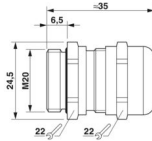
Product properties

Product type	Cable screw gland
Application	Standard
No. of conductors	1
Type	with pressure compensation element and O-ring
Manufacturer	BIMED
Manufacturer Designation	BMBCVG-02
Air flow rate	40 (l/h at a pressure differential of 70 mbar)
Shielded	no
Execution of the strain relief	A

Characteristics

Category of shock impact	5
Design, Strain relief	A

Dimensions

Dimensional drawing	
Length	35 mm
Length of the connecting thread	8 mm
Hole diameter	20.1 mm ... 20.2 mm
Wrench size, union nut	22 mm
Wrench size, support	22 mm
Thread type connection side	M20 x 1.5
Thread pitch	1.5 mm

Connection data

Tightening torque	7.5 Nm \pm 0.5 Nm (Cap nut)
	5.5 Nm (Support sleeve)

Material specifications

Color	Brass
Material	PTFE
Seal material O-ring	NBR
Seal material Cable seal	CR
Material for screw connection	Brass, nickel-plated

Cable/line

External cable diameter Cable 1	6 mm ... 11 mm
---------------------------------	----------------

G-INVEN-M20-M67N-NNES-S - Cable gland



1424540

<https://www.phoenixcontact.com/us/products/1424540>

External cable diameter	6 mm ... 12 mm (for UL 514 B)
Halogen-free	no

Environmental and real-life conditions

Ambient conditions

Degree of protection	IP67
	IP66
Ambient temperature (operation)	-20 °C ... 100 °C (static)

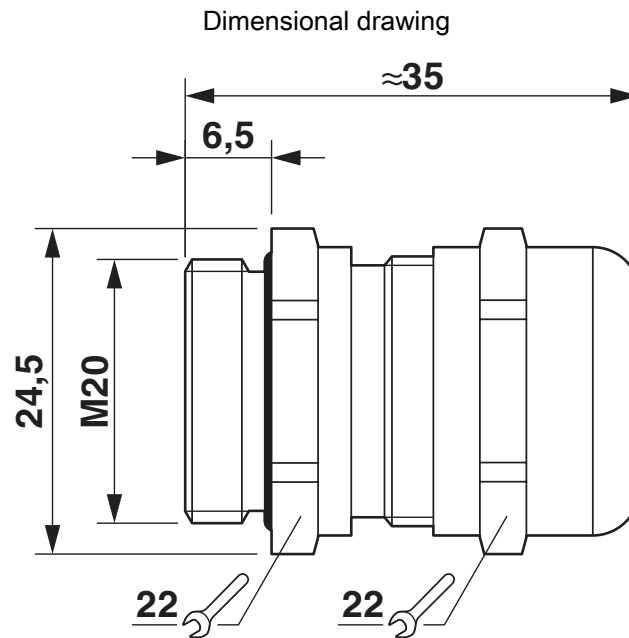
G-INVEN-M20-M67N-NNES-S - Cable gland

1424540

<https://www.phoenixcontact.com/us/products/1424540>



Drawings



Dimensional drawing

G-INVEN-M20-M67N-NNES-S - Cable gland



1424540

<https://www.phoenixcontact.com/us/products/1424540>

Approvals

To download certificates, visit the product detail page: <https://www.phoenixcontact.com/us/products/1424540>

DNV

Approval ID: TAE00003WY



cUL Recognized

Approval ID: E199260



UL Recognized

Approval ID: E199260

cULus Recognized

G-INVEN-M20-M67N-NNES-S - Cable gland



1424540

<https://www.phoenixcontact.com/us/products/1424540>

Classifications

ECLASS

ECLASS-11.0	27144432
ECLASS-12.0	27140801
ECLASS-13.0	27140801

ETIM

ETIM 9.0	EC000441
----------	----------

UNSPSC

UNSPSC 21.0	39121300
-------------	----------

G-INVEN-M20-M67N-NNES-S - Cable gland



1424540

<https://www.phoenixcontact.com/us/products/1424540>

Environmental product compliance

EU RoHS

Fulfills EU RoHS substance requirements	Yes
Exemption	6(c)

China RoHS

Environment friendly use period (EFUP)	EFUP-50
	An article-related China RoHS declaration table can be found in the download area for the respective article under "Manufacturer declaration". For all articles with EFUP-E, no China RoHS declaration table issued and required.

EU REACH SVHC

REACH candidate substance (CAS No.)	Lead(CAS: 7439-92-1)
SCIP	c0d6ff13-6b5b-4da7-a2a9-8317b20f51ef

G-INVEN-M20-M67N-NNES-S - Cable gland



1424540

<https://www.phoenixcontact.com/us/products/1424540>

Accessories

A-INL-M20-N-S - Counter nut

1411242

<https://www.phoenixcontact.com/us/products/1411242>

Counter nut, for threads M20 x 1.5, color: silver



SEALING PLUG 9X16 RD - Closing cap

1400259

<https://www.phoenixcontact.com/us/products/1400259>

Closing cap, color: red



Phoenix Contact 2024 © - all rights reserved

<https://www.phoenixcontact.com>

Phoenix Contact USA

586 Fulling Mill Road

Middletown, PA 17057, United States

(+717) 944-1300

info@phoenixcon.com