

QPD W 4PE2,5 9-16 M25 FC BK - Panel feed-through



1582563

<https://www.phoenixcontact.com/us/products/1582563>

Please be informed that the data shown in this PDF document is generated from our online catalog. Please find the complete data in the user documentation. Our general terms of use for downloads are valid.



QUICKON panel feed-through, black, 4+PE-pos. 1.0 mm² ... 2.5 mm²/690 V/20 A, with QUICKON nut, for 9 mm ... 16 mm cable diameter, M25 connection thread with 5 slip-on contacts for slip-on sleeves according to DIN 46247-2

Your advantages

- Innovative and time saving - QUICKON fast connection for time saving of up to 80 % for on-site connection
- Robust throughout: housing with IP68/IP69K and IK07 protection for a wide range of applications
- Safer connection with mechanical coding to protect against mismatching, and touch-proof protection in accordance with DIN EN 0105
- Efficient - by using panel feed-throughs, devices no longer need to be opened in order to connect cables

Commercial data

Item number	1582563
Packing unit	1 pc
Minimum order quantity	1 pc
Sales key	BF50
Product key	BF6ACB
Catalog page	Page 485 (C-2-2019)
GTIN	4046356661973
Weight per piece (including packing)	56.7 g
Weight per piece (excluding packing)	56 g
Customs tariff number	85366990
Country of origin	PL

1582563

<https://www.phoenixcontact.com/us/products/1582563>

Technical data

Product properties

Product type	Panel feed-through
Product family	QPD
Type	QPD 5x2,5
Number of positions	5
Connection profile	4+PE
Position marking	1, 2, 3, N, PE
Number of connections	10
Number of connections per position	1
Coding	coded

Insulation characteristics

Overvoltage category	III
Degree of pollution	3

Connection data

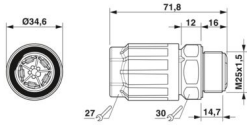
Connection technology

Connection method On the device side	Spade connection (For slip-on sleeves according to DIN 46247-2)
Connection method On the field side	IDC connection
Frequency of connections between conductors of the same cross section	max. 10

Conductor connection

Conductor cross section flexibel	1 mm ² ... 2.5 mm ²
Conductor cross section solid	1 mm ² ... 2.5 mm ²
Connection cross section AWG	16 ... 14
Tightening torque Union nut	10 Nm
Tightening torque Locking nut	5 Nm
Wrench size Union nut	27 mm
Wrench size Locking nut	30 mm

Dimensions

Dimensional drawing	
Width	34.6 mm
Height	34.6 mm
Length	71.8 mm
Diameter	34.6 mm
Wrench size	30 mm

QPD W 4PE2,5 9-16 M25 FC BK - Panel feed-through



1582563

<https://www.phoenixcontact.com/us/products/1582563>

Wrench size for mounting	30 mm
Dimensions of slip-on connection	4.8 x 0.8 mm

Electrical properties

Rated surge voltage (II/2)	8 kV
Rated surge voltage (III/2)	8 kV
Rated surge voltage (III/3)	6 kV
Rated current	20 A
Contact resistance	< 3 mΩ
rated voltage (II/2)	1000 V
rated voltage (III/2)	1000 V
Rated voltage (III/3)	690 V
Nominal voltage U_N	690 V AC 690 V DC
Nominal current I_N	20 A

Mechanical properties

Mechanical data

Insertion/withdrawal cycles	max. 50
-----------------------------	---------

Material specifications

Color	black (RAL 9005)
Material Housing	PA
Material Contact	Cu
Material Contact surface	Silver-plated
Flammability rating according to UL 94	V0
Material wire insulation	PVC/PE/TPE/rubber

Cable/line

Structure of individual litz in acc. with VDE 0295 / smallest wire diameter	VDE 0295 class 1 to 6/min. 0.15 mm
External cable diameter	9 mm ... 16 mm
Wire diameter including insulation	2 mm ... 3.8 mm
Position marking	1, 2, 3, N, PE
Material wire insulation	PVC/PE/TPE/rubber

Mounting

Mounting type	Front mounting M25
---------------	--------------------

Environmental and real-life conditions

Ambient conditions

Degree of protection	IP66 IP68 (2 m / 24 h) IP69K
----------------------	------------------------------------

QPD W 4PE2,5 9-16 M25 FC BK - Panel feed-through



1582563

<https://www.phoenixcontact.com/us/products/1582563>

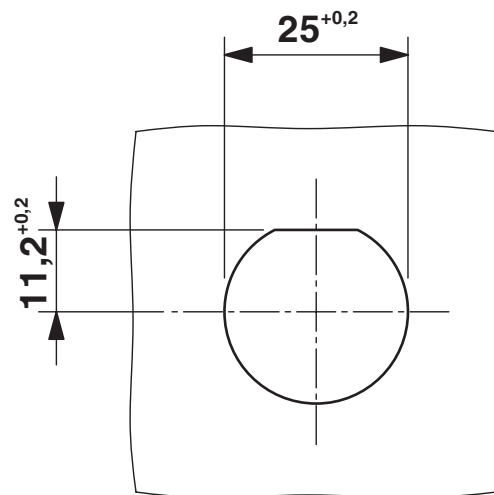
Ambient temperature (operation)	-40 °C ... 100 °C
Temperature when conductor connected	-5 °C ... 50 °C
Ambient temperature (storage/transport)	-40 °C ... 80 °C

1582563

<https://www.phoenixcontact.com/us/products/1582563>

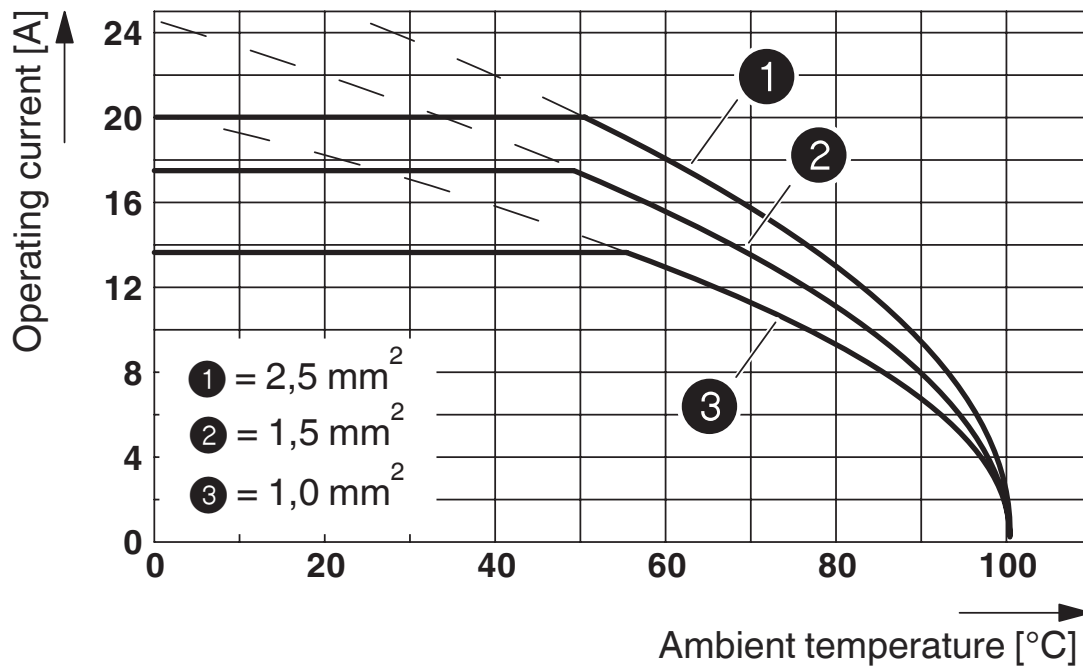
Drawings

Dimensional drawing



Panel cutout

Diagram



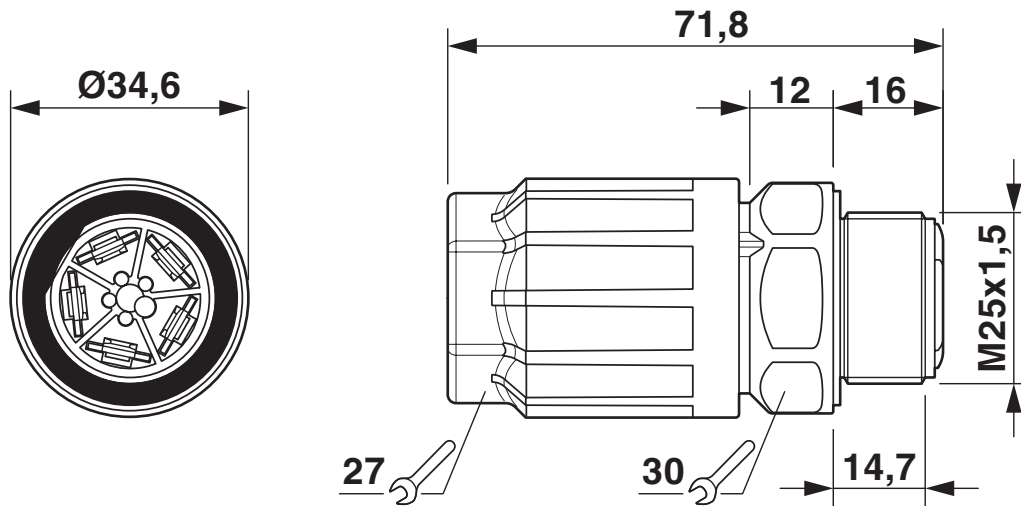
QPD W 4PE2,5 9-16 M25 FC BK - Panel feed-through



1582563

<https://www.phoenixcontact.com/us/products/1582563>

Dimensional drawing



QPD W 4PE2.5 M25 dimensional drawing

1582563

<https://www.phoenixcontact.com/us/products/1582563>

Approvals

To download certificates, visit the product detail page: <https://www.phoenixcontact.com/us/products/1582563>



IECEE CB Scheme
Approval ID: DE1-65875



EAC
Approval ID: RU C-DE.BL08.B.00511



DNV GL
Approval ID: TAE00003J5



VDE Zeichengenehmigung
Approval ID: 40029149



UL Listed
Approval ID: E468743

	Nominal voltage U_N	Nominal current I_N	Cross section AWG	Cross section mm^2
	600 V	10 A	-	- 14



cUL Listed
Approval ID: E468743

	Nominal voltage U_N	Nominal current I_N	Cross section AWG	Cross section mm^2
	600 V	10 A	- 14	-

cULus Listed

1582563

<https://www.phoenixcontact.com/us/products/1582563>

Classifications

ECLASS

ECLASS-11.0	27440602
ECLASS-13.0	27440602
ECLASS-12.0	27440602

ETIM

ETIM 9.0	EC002566
----------	----------

UNSPSC

UNSPSC 21.0	39121500
-------------	----------

1582563

<https://www.phoenixcontact.com/us/products/1582563>

Environmental product compliance

EU RoHS

Fulfills EU RoHS substance requirements	Yes, No exemptions
-----------------------------------------	--------------------

China RoHS

Environment friendly use period (EFUP)	EFUP-E
	No hazardous substances above the limits

EU REACH SVHC

REACH candidate substance (CAS No.)	No substance above 0.1 wt%
-------------------------------------	----------------------------

QPD W 4PE2,5 9-16 M25 FC BK - Panel feed-through



1582563

<https://www.phoenixcontact.com/us/products/1582563>

Accessories

CP-QPD 5X2,5 - Coding profile

1404530

<https://www.phoenixcontact.com/us/products/1404530>



Coding profile, red, for insertion into the 5-pos. QUICKON dome and connector, can be positioned in 72° increments.

QPD QSK BK 5X2,5 FS - Protective cap

1404525

<https://www.phoenixcontact.com/us/products/1404525>



Protective cap, plastic, for QUICKON connection, black, with retaining cord, IP68

QPD W 4PE2,5 9-16 M25 FC BK - Panel feed-through



1582563

<https://www.phoenixcontact.com/us/products/1582563>

SEALING PLUG 14X22 RD - Closing cap

1400270

<https://www.phoenixcontact.com/us/products/1400270>

Closing cap, for threads pluggable, color: red



Q-MU M25 - Nut

1640715

<https://www.phoenixcontact.com/us/products/1640715>

Nut (plastic) to lock the contact carrier from the inside of the device



QPD W 4PE2,5 9-16 M25 FC BK - Panel feed-through

1582563

<https://www.phoenixcontact.com/us/products/1582563>



QPD W 4PE2,5 9-16 M20 0,5 BK - Panel feed-through

1403731

<https://www.phoenixcontact.com/us/products/1403731>



Panel feed-through, product family: QPD, connection method: Single wires (Welded-on)/ IDC connection, number of positions: 4+PE, M20, Pin, 1 mm² ... 2.5 mm², 690 V, 20 A, PA, black, with QUICKON nut, coding: coded, external cable diameter: 9 mm ... 16 mm, 2.5 mm², wires cut flat at the end, cable length: 0.5 m

QPD W 4PE2,5 9-16 M20 1,0 BK - Panel feed-through

1403733

<https://www.phoenixcontact.com/us/products/1403733>



Panel feed-through, product family: QPD, connection method: Single wires (Welded-on)/ IDC connection, number of positions: 4+PE, M20, Pin, 1 mm² ... 2.5 mm², 690 V, 20 A, PA, black, with QUICKON nut, coding: coded, external cable diameter: 9 mm ... 16 mm, 2.5 mm², wires cut flat at the end, cable length: 1 m

QPD W 4PE2,5 9-16 M25 FC BK - Panel feed-through

1582563

<https://www.phoenixcontact.com/us/products/1582563>



QPD W 4PE2,5 9-16 M20 FC BK - Panel feed-through

1403735

<https://www.phoenixcontact.com/us/products/1403735>



Panel feed-through, product family: QPD, connection method: Spade connection (For slip-on sleeves according to DIN 46247-2)/ IDC connection, number of positions: 4+PE, M20, Pin, 1 mm² ... 2.5 mm², 690 V, 15 A, PA, black, with QUICKON nut, coding: coded, external cable diameter: 9 mm ... 16 mm

QPD W 4PE2,5 9-16 M25 0,5 BK - Panel feed-through

1582561

<https://www.phoenixcontact.com/us/products/1582561>



Panel feed-through, product family: QPD, connection method: Single wires (Welded-on), number of positions: 4+PE, M25, Pin, 1 mm² ... 2.5 mm², 690 V, 20 A, PA, black, with QUICKON nut, coding: coded, external cable diameter: 9 mm ... 16 mm, 2.5 mm², wires cut flat at the end, cable length: 0.5 m

QPD W 4PE2,5 9-16 M25 FC BK - Panel feed-through

1582563

<https://www.phoenixcontact.com/us/products/1582563>



QPD W 4PE2,5 9-16 M25 1,0 BK - Panel feed-through

1582562

<https://www.phoenixcontact.com/us/products/1582562>



Panel feed-through, product family: QPD, connection method: Single wires (Welded-on), number of positions: 4+PE, M25, Pin, 1 mm² ... 2.5 mm², 690 V, 20 A, PA, black, with QUICKON nut, coding: coded, external cable diameter: 9 mm . . . 16 mm, 2.5 mm², wires cut flat at the end, cable length: 1 m

QPD W 4PE2,5 9-16 M25 DT BK - Panel feed-through

1411433

<https://www.phoenixcontact.com/us/products/1411433>



QUICKON panel feed-through, black, 4+PE-pos., 1.0 mm² ... 2.5 mm²/690 V/20 A, with QUICKON nut, for cable diameter of 9 mm ... 16 mm, with push-in spring-cage connection.

QPD W 4PE2,5 9-16 M25 FC BK - Panel feed-through



1582563

<https://www.phoenixcontact.com/us/products/1582563>

QPD C 4PE2,5 1X9-16 BK - Conductor connector

1403831

<https://www.phoenixcontact.com/us/products/1403831>



QUICKON cable connector, black, 4+PE-pos., 1.0 mm² ... 2.5 mm² / 690 V / 20 A, for 9 mm ... 16 mm cable diameter.

QPD C 4PE2,5 2X9-16 BK - Conductor connector

1403836

<https://www.phoenixcontact.com/us/products/1403836>



QUICKON cable connector, black, 4+PE-pos., 1.0 mm² ... 2.5 mm² / 690 V / 20 A, for 9 mm ... 16 mm cable diameter.

QPD W 4PE2,5 9-16 M25 FC BK - Panel feed-through



1582563

<https://www.phoenixcontact.com/us/products/1582563>

QPD T 4PE 2X9-16 BK - T distributor

1405404

<https://www.phoenixcontact.com/us/products/1405404>



QUICKON T-distributor, black, 4+PE-pos., 1.0 mm² ... 2.5 mm²/690 V/20 A, for cable diameter of 9 mm ... 16 mm, with two QUICKON nuts

QPD T 4PE 3X9-16 BK - T distributor

1405402

<https://www.phoenixcontact.com/us/products/1405402>



QUICKON T-distributor, black, 4+PE-pos., 1.0 mm² ... 2.5 mm²/690 V/20 A, for cable diameter of 9 mm ... 16 mm, with three QUICKON nuts

QPD W 4PE2,5 9-16 M25 FC BK - Panel feed-through



1582563

<https://www.phoenixcontact.com/us/products/1582563>

QPD H 4PE2,5 4X9-16 BK - H distributor

1406369

<https://www.phoenixcontact.com/us/products/1406369>



QUICKON H-distributor, black, 4 pos. +PE, 1.0 mm² ... 2.5 mm² / 690 V / 20 A, for cable diameters of 9 mm ... 16 mm, with a sealing bolt.

QPD N 4PE2,5 9-16 BK - Nut

1459647

<https://www.phoenixcontact.com/us/products/1459647>



QUICKON nut, black, 4+PE-pos., 1.0 mm² ... 2.5 mm²/690 V/20 A, for cables with 9 mm ... 16 mm diameter.

QPD W 4PE2,5 9-16 M25 FC BK - Panel feed-through



1582563

<https://www.phoenixcontact.com/us/products/1582563>

QPD P 4PE2,5 9-16 BK - Connector

1403782

<https://www.phoenixcontact.com/us/products/1403782>



Connector, product family: QPD, connection method: IDC connection, number of positions: 4+PE, 1 mm² ... 2.5 mm², 690 V, 20 A, PA, black, with QUICKON nut, external cable diameter: 9 mm ... 16 mm

QPD P 4PE2,5 9-16 TL BK - Connector

1039561

<https://www.phoenixcontact.com/us/products/1039561>



Connector, product family: QPD, connection method: IDC connection, number of positions: 4+PE, 1 mm² ... 2.5 mm², 690 V, 20 A, PA, black, with QUICKON nut, external cable diameter: 9 mm ... 16 mm

QPD W 4PE2,5 9-16 M25 FC BK - Panel feed-through



1582563

<https://www.phoenixcontact.com/us/products/1582563>

QSS 27 - Socket wrench

1670646

<https://www.phoenixcontact.com/us/products/1670646>



Allen wrench, for loosening and fastening the QUICKON union nut, WAF 27 mm

Phoenix Contact 2024 © - all rights reserved

<https://www.phoenixcontact.com>

Phoenix Contact USA
586 Fulling Mill Road
Middletown, PA 17057, United States
(+717) 944-1300
info@phoenixcon.com