

G-INVEN-M12-M67N-PNES-LG - Cable gland



1424532

<https://www.phoenixcontact.com/us/products/1424532>

Please be informed that the data shown in this PDF document is generated from our online catalog. Please find the complete data in the user documentation. Our general terms of use for downloads are valid.



Cable gland, material for screw connection: PA, application: Standard, external cable diameter 4 mm ... 7 mm, shielding: no, connecting thread: M12 x 1.5, color: lightgrey RAL 7035, with pressure compensation element and flat gasket

Product description

Cable gland with integrated pressure compensation element. Prevents low pressure forming in the housing. Membrane: resistant to water and dirt

Your advantages

- Reduces the formation of condensation
- Screw connection with integrated pressure compensation element
- Plastic material conforms to UL 746C f1

Commercial data

| | |
|--------------------------------------|---------------------|
| Item number | 1424532 |
| Packing unit | 5 pc |
| Minimum order quantity | 5 pc |
| Sales key | BF68 |
| Product key | BF7DCX |
| Catalog page | Page 694 (C-2-2019) |
| GTIN | 4055626374376 |
| Weight per piece (including packing) | 6.61 g |
| Weight per piece (excluding packing) | 6.61 g |
| Customs tariff number | 39269097 |
| Country of origin | TR |

G-INVEN-M12-M67N-PNES-LG - Cable gland



1424532

<https://www.phoenixcontact.com/us/products/1424532>

Technical data

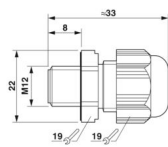
Product properties

| | |
|--------------------------------|--|
| Product type | Cable screw gland |
| Application | Standard |
| No. of conductors | 1 |
| Type | with pressure compensation element and flat gasket |
| Manufacturer | BIMED |
| Manufacturer Designation | BMVG-1S |
| Air flow rate | 25 (l/h at a pressure differential of 70 mbar) |
| Shielded | no |
| Execution of the strain relief | A |

Characteristics

| | |
|--------------------------|---|
| Category of shock impact | 5 |
| Design, Strain relief | A |

Dimensions

| | |
|---------------------------------|--|
| Dimensional drawing |  |
| Length | 33 mm |
| Length of the connecting thread | 8 mm |
| Hole diameter | 12.1 mm ... 12.2 mm |
| Wrench size, union nut | 19 mm |
| Wrench size, support | 19 mm |
| Thread type connection side | M12 x 1.5 |
| Thread pitch | 1.5 mm |

Connection data

| | |
|-------------------|-----------------------------|
| Tightening torque | 2 Nm \pm 0.2 Nm (Cap nut) |
| | 1.5 Nm (Support sleeve) |

Material specifications

| | |
|--|-----------------------|
| Color | light grey (RAL 7035) |
| Material | PTFE |
| Flammability rating according to UL 94 | V2 |
| Seal material Flat gasket | NBR |
| Seal material Cable seal | CR |
| Material for screw connection | PA |

Cable/line

G-INVEN-M12-M67N-PNES-LG - Cable gland



1424532

<https://www.phoenixcontact.com/us/products/1424532>

| | |
|---------------------------------|------------------------------|
| External cable diameter Cable 1 | 4 mm ... 7 mm |
| External cable diameter | 4 mm ... 8 mm (for UL 514 B) |
| Halogen-free | no |

Environmental and real-life conditions

Ambient conditions

| | |
|---------------------------------|----------------------------|
| Degree of protection | IP67 |
| | IP66 |
| Enclosure rating (NEMA) | 1 |
| | 4 |
| | 4X |
| | 12 |
| | 13 |
| Ambient temperature (operation) | -20 °C ... 100 °C (static) |

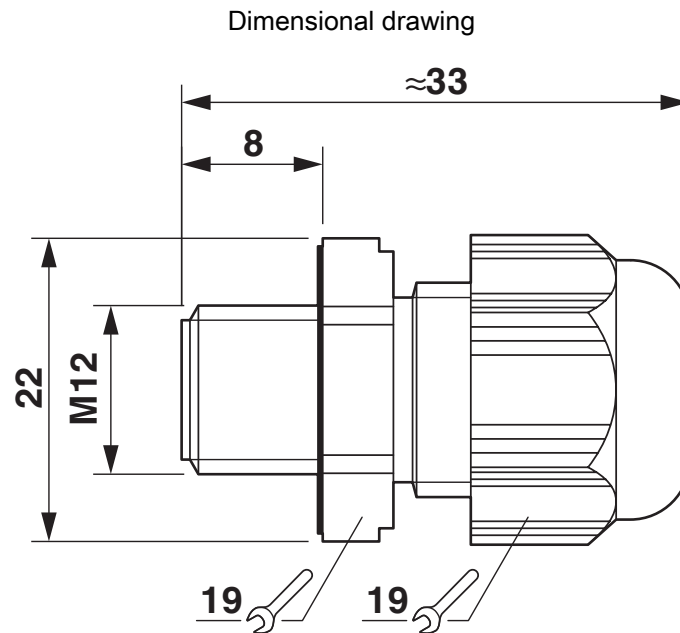
G-INVEN-M12-M67N-PNES-LG - Cable gland

1424532

<https://www.phoenixcontact.com/us/products/1424532>



Drawings



Dimensional drawing

G-INVEN-M12-M67N-PNES-LG - Cable gland



1424532

<https://www.phoenixcontact.com/us/products/1424532>

Approvals

To download certificates, visit the product detail page: <https://www.phoenixcontact.com/us/products/1424532>

DNV

Approval ID: TAE00003WX



cUL Recognized

Approval ID: E199260



UL Recognized

Approval ID: E199260

cULus Recognized

G-INVEN-M12-M67N-PNES-LG - Cable gland



1424532

<https://www.phoenixcontact.com/us/products/1424532>

Classifications

ECLASS

| | |
|-------------|----------|
| ECLASS-11.0 | 27144432 |
| ECLASS-12.0 | 27140801 |
| ECLASS-13.0 | 27140801 |

ETIM

| | |
|----------|----------|
| ETIM 9.0 | EC000441 |
|----------|----------|

UNSPSC

| | |
|-------------|----------|
| UNSPSC 21.0 | 39121300 |
|-------------|----------|

G-INVEN-M12-M67N-PNES-LG - Cable gland



1424532

<https://www.phoenixcontact.com/us/products/1424532>

Environmental product compliance

EU RoHS

| | |
|---|--------------------|
| Fulfills EU RoHS substance requirements | Yes, No exemptions |
|---|--------------------|

China RoHS

| | |
|--|--|
| Environment friendly use period (EFUP) | EFUP-E |
| | No hazardous substances above the limits |

EU REACH SVHC

| | |
|-------------------------------------|----------------------------|
| REACH candidate substance (CAS No.) | No substance above 0.1 wt% |
|-------------------------------------|----------------------------|

G-INVEN-M12-M67N-PNES-LG - Cable gland



1424532

<https://www.phoenixcontact.com/us/products/1424532>

Accessories

A-INL-M12-P-LG - Counter nut

1417659

<https://www.phoenixcontact.com/us/products/1417659>

Counter nut, for threads M12 x 1.5, color: light grey



SEALING PLUG 6X16 RD - Closing cap

1400254

<https://www.phoenixcontact.com/us/products/1400254>

Closing cap, color: red



Phoenix Contact 2024 © - all rights reserved

<https://www.phoenixcontact.com>

Phoenix Contact USA
586 Fulling Mill Road
Middletown, PA 17057, United States
(+717) 944-1300
info@phoenixcon.com