

# SM-36KP004 - Crimp contact



1605747

<https://www.phoenixcontact.com/us/products/1605747>

Please be informed that the data shown in this PDF document is generated from our online catalog. Please find the complete data in the user documentation. Our general terms of use for downloads are valid.



Crimp contact, Pin, turned, Single contact, contact diameter: 3.6 mm, crimp range: 6 mm<sup>2</sup> ... 10 mm<sup>2</sup>, Alternative product in accordance with RoHS II without Exemption 6c (Pb < 0.1 %) item no. : 1241972

## Your advantages

- Crimping connection: vibration- and temperature-resistant assembly
- High tensile strength of the connection
- Low contact resistance
- Easy production monitoring

## Commercial data

Item number	1605747
Packing unit	20 pc
Minimum order quantity	20 pc
Sales key	AB36
Product key	ABREAH
Catalog page	Page 169 (C-2-2019)
GTIN	4046356254588
Weight per piece (including packing)	4.38 g
Weight per piece (excluding packing)	4.38 g
Customs tariff number	85366990
Country of origin	DE

# SM-36KP004 - Crimp contact



1605747

<https://www.phoenixcontact.com/us/products/1605747>

## Technical data

### Product properties

Product type	Crimp contact
Contact material type	turned

### Connection data

Connection method	Crimp connection
Contact connection type	Pin
Conductor cross section	6 mm <sup>2</sup> ... 10 mm <sup>2</sup>

### Material specifications

Contact surface	Nickel-plated (Ni), with gold coating (Au)
Contact material	CuZn

### Dimensions

#### Mechanical characteristics

Contact diameter	3.6 mm
------------------	--------

### Mechanical properties

#### Mechanical data

Insertion/withdrawal cycles	100
-----------------------------	-----

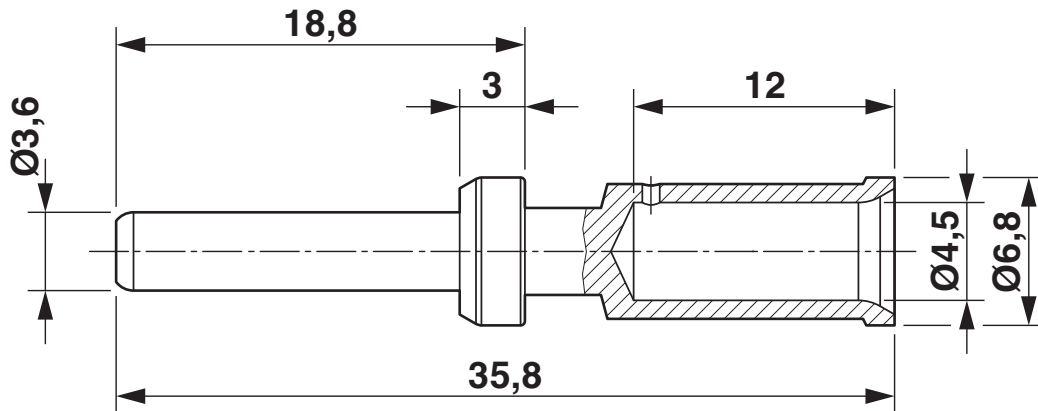
# SM-36KP004 - Crimp contact

1605747

<https://www.phoenixcontact.com/us/products/1605747>

## Drawings

Dimensional drawing



Dimensional drawing

# SM-36KP004 - Crimp contact



1605747

<https://www.phoenixcontact.com/us/products/1605747>

## Classifications

### ECLASS

ECLASS-11.0	27440204
ECLASS-12.0	27440204
ECLASS-13.0	27440204

### ETIM

ETIM 9.0	EC000796
----------	----------

### UNSPSC

UNSPSC 21.0	39121500
-------------	----------

# SM-36KP004 - Crimp contact



1605747

<https://www.phoenixcontact.com/us/products/1605747>

## Environmental product compliance

### EU RoHS

Fulfills EU RoHS substance requirements	Yes
Exemption	6(c)

### China RoHS

Environment friendly use period (EFUP)	EFUP-50
	An article-related China RoHS declaration table can be found in the download area for the respective article under "Manufacturer declaration". For all articles with EFUP-E, no China RoHS declaration table issued and required.

### EU REACH SVHC

REACH candidate substance (CAS No.)	Lead(CAS: 7439-92-1)
SCIP	554fde86-90da-43fe-a4a7-8903bead1ee6

# SM-36KP004 - Crimp contact

1605747

<https://www.phoenixcontact.com/us/products/1605747>



## Accessories

### SF-Z0026 - Crimping pliers with digital display

1607454

<https://www.phoenixcontact.com/us/products/1607454>



Crimping pliers for turned crimp contacts Ø 2 mm / Ø 3.6 mm, litz wire cross section of 1.5 mm<sup>2</sup> ... 10 mm<sup>2</sup>

---

Phoenix Contact 2024 © - all rights reserved  
<https://www.phoenixcontact.com>

Phoenix Contact USA  
586 Fulling Mill Road  
Middletown, PA 17057, United States  
(+717) 944-1300  
[info@phoenixcon.com](mailto:info@phoenixcon.com)