

# CES-SRG-BK-2X7 - Cable sleeve



1410084

<https://www.phoenixcontact.com/us/products/1410084>

Please be informed that the data shown in this PDF document is generated from our online catalog. Please find the complete data in the user documentation. Our general terms of use for downloads are valid.



Cable sleeve, small, no. of conductors: 2, type: Round cable, slotted, external cable diameter: 2x 6 mm ... 7 mm, material: NBR, color: black, length: 29.5 mm, width: 19.5 mm, height: 17 mm

## Product description

Slotted cable sleeve

## Commercial data

Item number	1410084
Packing unit	10 pc
Minimum order quantity	10 pc
Sales key	BF67
Product key	BF7CCX
Catalog page	Page 679 (C-2-2019)
GTIN	4046356776325
Weight per piece (including packing)	7.38 g
Weight per piece (excluding packing)	7 g
Customs tariff number	40169997
Country of origin	TW

# CES-SRG-BK-2X7 - Cable sleeve

1410084

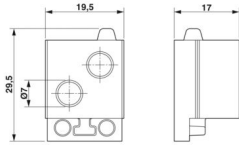
<https://www.phoenixcontact.com/us/products/1410084>

## Technical data

### Product properties

Product type	Cable sleeve
No. of conductors	2

### Dimensions

Dimensional drawing	
Width	19.5 mm
Height	17 mm
Length	29.5 mm

### Material specifications

Material	NBR
----------	-----

### Cable/line

External cable diameter	2x 6 mm ... 7 mm
-------------------------	------------------

### Characteristics

Seal size	small
Design, Format	Round cable
Design, Cable seal	slotted

### Environmental and real-life conditions

#### Ambient conditions

Degree of protection	IP54
Ambient temperature (operation)	-40 °C ... 125 °C (static)

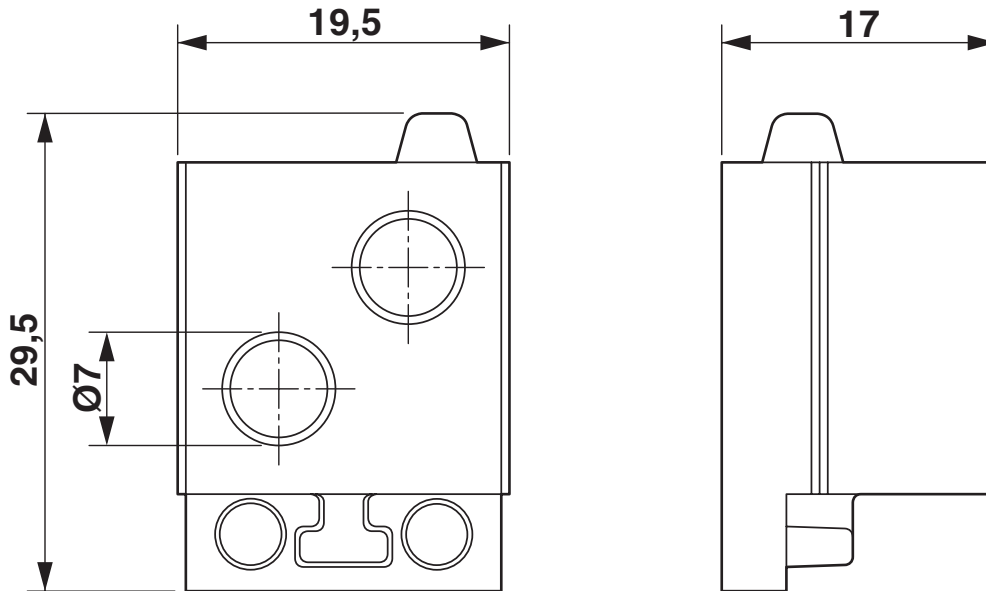
# CES-SRG-BK-2X7 - Cable sleeve

1410084

<https://www.phoenixcontact.com/us/products/1410084>

## Drawings

Dimensional drawing



Dimensional drawing

# CES-SRG-BK-2X7 - Cable sleeve



1410084

<https://www.phoenixcontact.com/us/products/1410084>

## Classifications

### ECLASS

ECLASS-11.0	27144425
ECLASS-12.0	27144425
ECLASS-13.0	27144425

### ETIM

ETIM 9.0	EC000451
----------	----------

### UNSPSC

UNSPSC 21.0	39121400
-------------	----------

# CES-SRG-BK-2X7 - Cable sleeve



1410084

<https://www.phoenixcontact.com/us/products/1410084>

## Environmental product compliance

### EU RoHS

Fulfills EU RoHS substance requirements	Yes, No exemptions
---	--------------------

### China RoHS

Environment friendly use period (EFUP)	EFUP-E
	No hazardous substances above the limits

### EU REACH SVHC

REACH candidate substance (CAS No.)	No substance above 0.1 wt%
-------------------------------------	----------------------------

# CES-SRG-BK-2X7 - Cable sleeve

1410084

<https://www.phoenixcontact.com/us/products/1410084>



## Accessories

### KDT-ST 7 - Filler plug

3063963

<https://www.phoenixcontact.com/us/products/3063963>



Filler plug, material: PA, length: 25 mm, diameter: 7 mm

---

### CES-B10-HFFS-PLBK - Sealing frame

0801663

<https://www.phoenixcontact.com/us/products/0801663>



Sealing frame, With locking latch, design: B10, Number of cable seals (small): 6, material: PA (halogen-free), color: black, length: 99.2 mm, width: 58 mm, height: 20 mm

# CES-SRG-BK-2X7 - Cable sleeve

1410084

<https://www.phoenixcontact.com/us/products/1410084>



## CES-B16-HFFS-PLBK - Sealing frame

0801662

<https://www.phoenixcontact.com/us/products/0801662>



Sealing frame, With locking latch, design: B16, Number of cable seals (small): 8, material: PA (halogen-free), color: black, length: 120 mm, width: 58 mm, height: 20 mm

---

## CES-B24-HFFS-PLBK - Sealing frame

0801661

<https://www.phoenixcontact.com/us/products/0801661>



Sealing frame, With locking latch, design: B24, Number of cable seals (small): 10, material: PA (halogen-free), color: black, length: 147 mm, width: 58 mm, height: 20 mm

# CES-SRG-BK-2X7 - Cable sleeve

1410084

<https://www.phoenixcontact.com/us/products/1410084>



## CES-B10-SFFS-PLBK - Sealing frame

0801660

<https://www.phoenixcontact.com/us/products/0801660>



Sealing frame, with screw locking, design: B10, Number of cable seals (small): 6, material: PA (halogen-free), color: black, length: 99.2 mm, width: 58 mm, height: 20 mm

---

## CES-B16-SFFS-PLBK - Sealing frame

0801659

<https://www.phoenixcontact.com/us/products/0801659>



Sealing frame, with screw locking, design: B16, Number of cable seals (small): 8, material: PA (halogen-free), color: black, length: 120 mm, width: 58 mm, height: 20 mm



# CES-SRG-BK-2X7 - Cable sleeve

1410084

<https://www.phoenixcontact.com/us/products/1410084>



## CES-B24-SFFS-PLBK - Sealing frame

0801658

<https://www.phoenixcontact.com/us/products/0801658>



Sealing frame, with screw locking, design: B24, Number of cable seals (small): 10, material: PA (halogen-free), color: black, length: 147 mm, width: 58 mm, height: 20 mm

---

Phoenix Contact 2024 © - all rights reserved

<https://www.phoenixcontact.com>

Phoenix Contact USA  
586 Fulling Mill Road  
Middletown, PA 17057, United States  
(+717) 944-1300  
[info@phoenixcon.com](mailto:info@phoenixcon.com)