

1241959-4 ✓ ACTIVE

RAST | RAST 5 IDC Connectors

TE Internal #: 1241959-4

Housing, Receptacle, Wire-to-Wire, 4 Position, .197 in [5 mm]

Centerline, Crimp, 1 Row, Natural, Mating Retention, Wire & Cable,

RAST 5 IDC Connectors

[View on TE.com >](#)



Connectors > PCB Connectors > Wire-to-Board Connectors > Wire-to-Board Connector Assemblies & Housings



Connector Product Type: **Housing**

Connector & Housing Type: **Receptacle**

Connector System: **Wire-to-Wire**

Number of Positions: **4**

Centerline (Pitch): **5 mm [ .197 in ]**

## Features

### Product Type Features

Connector Product Type	Housing
Connector & Housing Type	Receptacle
Connector System	Wire-to-Wire
Sealable	No
Connector & Contact Terminates To	Wire & Cable

### Configuration Features

Keying & Polarized Rib Location	1b
Number of Positions	4
Number of Rows	1

### Body Features

Primary Product Color	Natural
-----------------------	---------

### Termination Features

Termination Method to Wire & Cable	Crimp
------------------------------------	-------



### Mechanical Attachment

Locking Latch Between Cavity Number	2&3, 3&4
Strain Relief	Without
Panel Mount Feature	Without
PCB Mount Retention	Without
Mating Retention Type	Latch
Mating Retention	With
Connector Mounting Type	Cable Mount (Free-Hanging)

### Housing Features

Housing Entry Configuration	Both Ends Closed
Housing Material	PA 6
Centerline (Pitch)	5 mm [.197 in]

### Dimensions

Connector Length	25.5 mm [1 in]
Connector Height	13.9 mm [.547 in]

### Usage Conditions

Operating Temperature Range	-40 - 105 °C [-40 - 221 °F]
-----------------------------	-----------------------------

### Operation/Application

Circuit Application	Power & Signal
---------------------	----------------

### Industry Standards

RAST Version	None
Glow Wire Rating	Glow Wire
UL Flammability Rating	UL 94V-2

### Packaging Features

Packaging Quantity	1250
Packaging Method	Box

### Product Compliance

[For compliance documentation, visit the product page on TE.com>](#)

EU RoHS Directive 2011/65/EU	Compliant
EU ELV Directive 2000/53/EC	Compliant
China RoHS 2 Directive MIIT Order No 32, 2016	No Restricted Materials Above Threshold



EU REACH Regulation (EC) No. 1907/2006

Current ECHA Candidate List: JAN 2024 (240)

Candidate List Declared Against: JAN 2024 (240)

Does not contain REACH SVHC

Halogen Content

Not Low Halogen - contains Br or Cl > 900 ppm.

Solder Process Capability

Not applicable for solder process capability

Product Compliance Disclaimer

This information is provided based on reasonable inquiry of our suppliers and represents our current actual knowledge based on the information they provided. This information is subject to change. The part numbers that TE has identified as EU RoHS compliant have a maximum concentration of 0.1% by weight in homogenous materials for lead, hexavalent chromium, mercury, PBB, PBDE, DBP, BBP, DEHP, DIBP, and 0.01% for cadmium, or qualify for an exemption to these limits as defined in the Annexes of Directive 2011/65/EU (RoHS2). Finished electrical and electronic equipment products will be CE marked as required by Directive 2011/65/EU. Components may not be CE marked. Additionally, the part numbers that TE has identified as EU ELV compliant have a maximum concentration of 0.1% by weight in homogenous materials for lead, hexavalent chromium, and mercury, and 0.01% for cadmium, or qualify for an exemption to these limits as defined in the Annexes of Directive 2000/53/EC (ELV). Regarding the REACH Regulation, the information TE provides on SVHC in articles for this part number is based on the latest European Chemicals Agency (ECHA) 'Guidance on requirements for substances in articles' posted at this URL: <https://echa.europa.eu/guidance-documents/guidance-on-reach>

### Compatible Parts



TE Part # 2-1241959-4  
STD TIM HOUSING MKII 4POS



TE Part # 1241964-6  
STD TIM HOUSING 6P



TE Part # 2-1241965-7  
7P ST-TIMER GEH



TE Part # 964203-5  
STD PW TIMER CONTACT



TE Part # 964202-1  
STD TIMER CONTACT



TE Part # 964204-1  
STD-POW-TIM KONTAKT



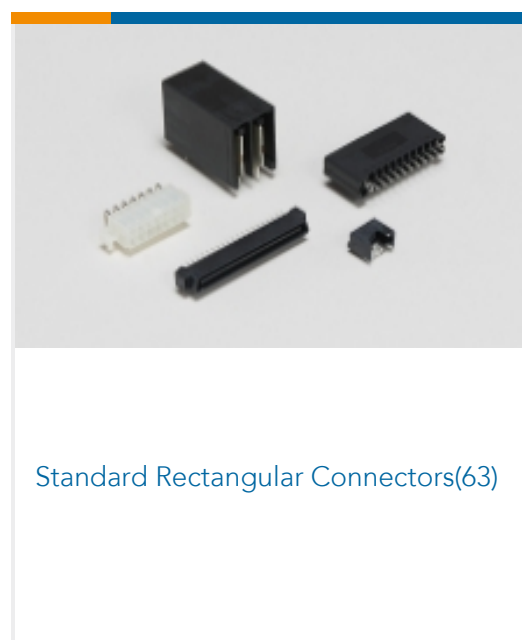
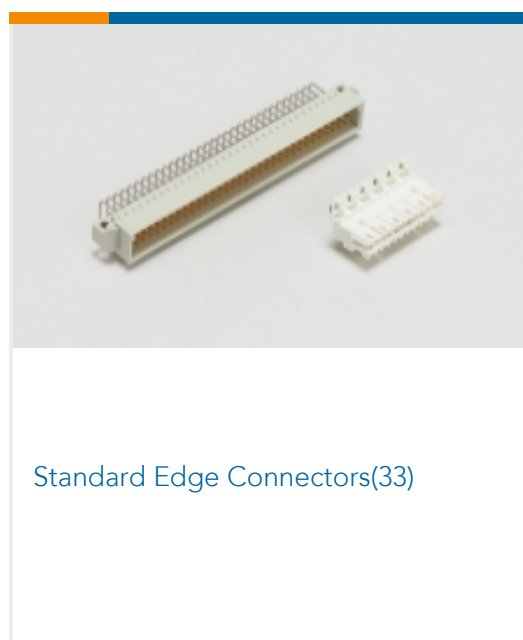
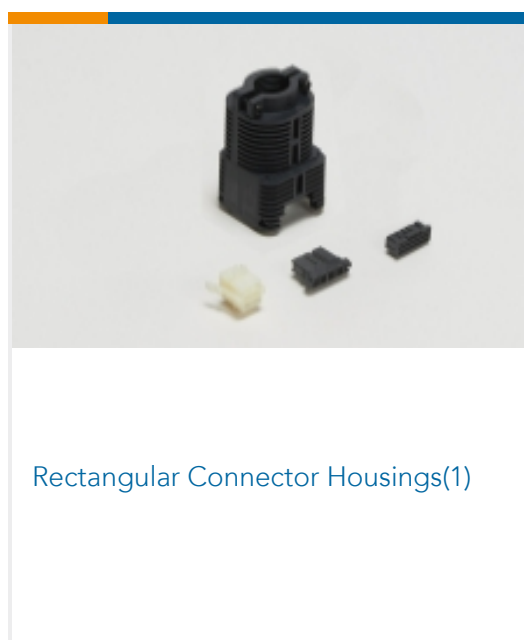
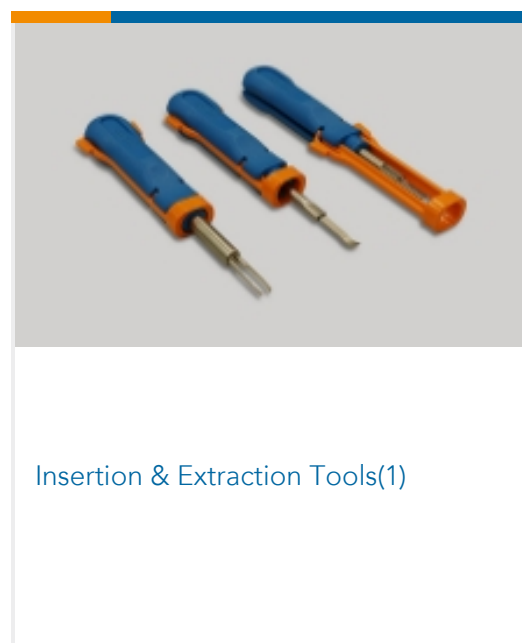
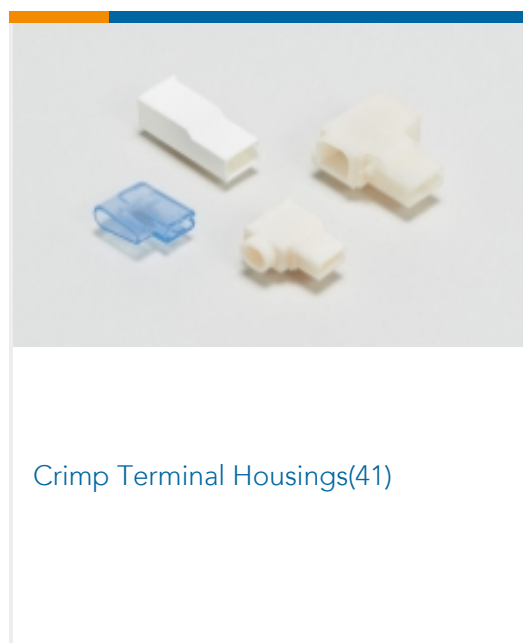
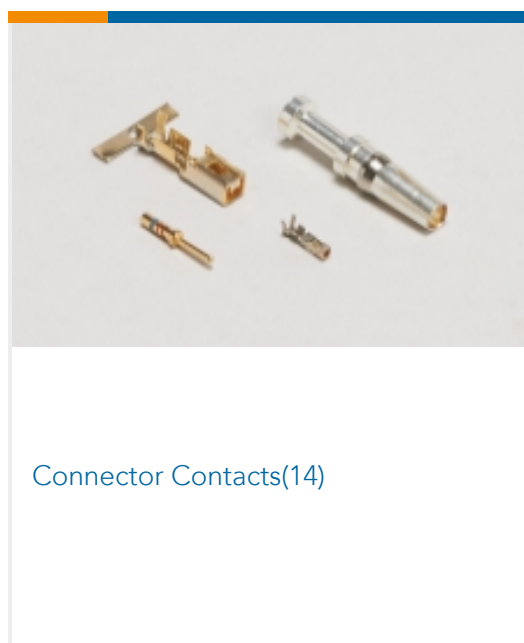
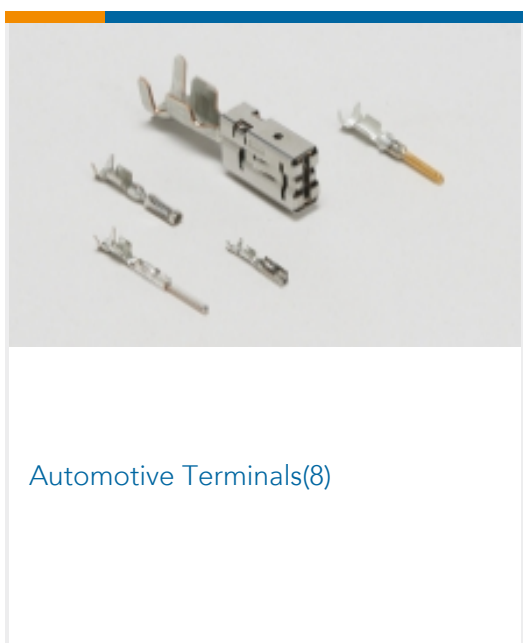
TE Part # 8-1241983-2  
STANDARD TIMER HOUSING MARK II



TE Part # 964203-1  
STD PW TIMER CONTACT



Also in the Series | **RAST 5 IDC Connectors**





Wire-to-Board Connector Assemblies & Housings(213)

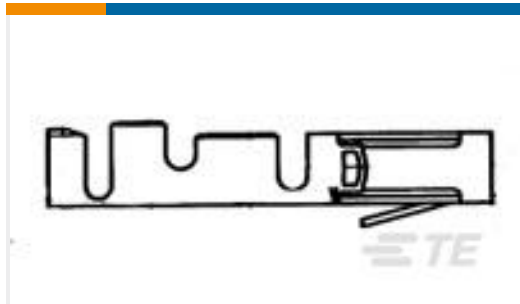
## Customers Also Bought



TE Part # 5-2232263-4  
PTL 1X4 CAP PANEL MT GLW WIRE KEY A DGR



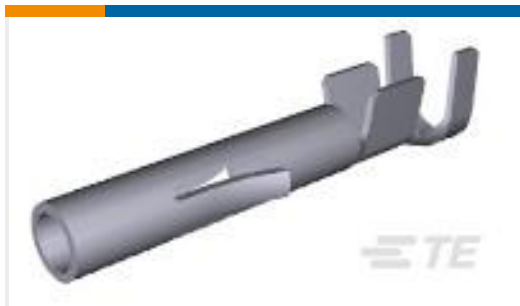
TE Part # 177917-1  
AMP POWER DBL LOCK TAB (L)



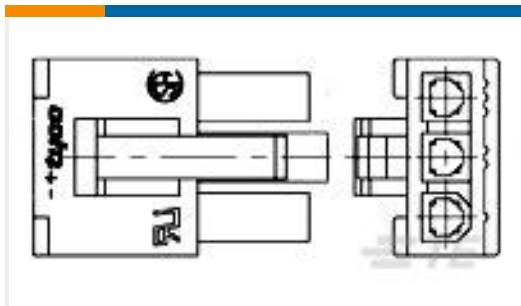
TE Part # 280708-2  
MOD 2 CONTACT



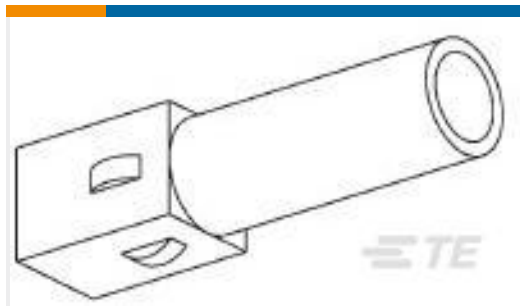
TE Part # 368572-1  
PDL 3P CAP 3.96 F/H(GWT) NAT



TE Part # 350536-1  
UMNL SOK 20-14 .0126 PTPBR



TE Part # 2029178-5  
5P SR RCPT VAL-U-LOK GW



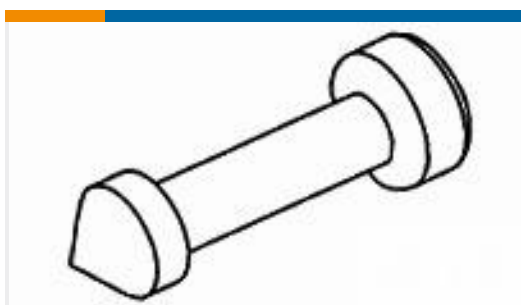
TE Part # 1863011-1  
01P UMNL PLUG HSG



TE Part # 5-2232266-3  
PTL 2X3 PLUG HSG GLW WIRE KEY A DGR



TE Part # 963709-2  
SPT REC 6.3 Contact SRC Sn



TE Part # 4-1437284-3  
CVTY PLUG,SUPERSEAL,CVTY DIA,2.4

## Documents

### Product Drawings

[STD-TIM HSG MKII 4P](#)

English

[STD-TIM HSG MKII 4P](#)

English

### CAD Files

[3D PDF](#)

[3D](#)



### Customer View Model

[ENG\\_CVM\\_CVM\\_1241959-4\\_B\\_c-1241959-4-b.2d\\_dxf.zip](#)

English

### Customer View Model

[ENG\\_CVM\\_CVM\\_1241959-4\\_B\\_c-1241959-4-b.3d\\_igs.zip](#)

English

### Customer View Model

[ENG\\_CVM\\_CVM\\_1241959-4\\_B\\_c-1241959-4-b.3d\\_stp.zip](#)

English

By downloading the CAD file I accept and agree to the [Terms and Conditions](#) of use.

### Product Specifications

[Product Specification](#)

German

### Agency Approvals

[UL Report](#)

English