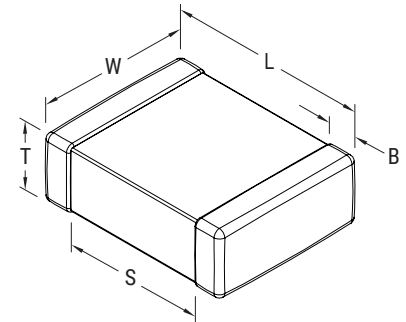


Sample Kit Contents

KEMET Part Number	Case Size	Cap	Cap Tolerance	Rated Voltage	T Thickness	Dielectric	Series	Quantity
	EIA/Metric		%	VDC	mm			
C0805F472K2RACTU	0805/2012	4,700 pF	±10	200	0.90 ±0.10	X7R	Open Mode, Standard Termination	50
C0805F473K1RACTU	0805/2012	47,000 pF	±10	100	1.00 ±0.15	X7R	Open Mode, Standard Termination	50
C0805F683K1RACTU	0805/2012	68,000 pF	±10	100	1.25 ±0.15	X7R	Open Mode, Standard Termination	50
C0805F104K5RACTU	0805/2012	0.10 µF	±10	50	1.25 ±0.15	X7R	Open Mode, Standard Termination	50
C1206F683K2RACTU	1206/3216	68,000 pF	±10	200	1.60 ±0.15	X7R	Open Mode, Standard Termination	50
C1206F224K1RACTU	1206/3216	0.22 µF	±10	100	1.00 ±0.10	X7R	Open Mode, Standard Termination	50
C1206F474K5RACTU	1206/3216	0.47 µF	±10	50	0.90 ±0.10	X7R	Open Mode, Standard Termination	50
C1206F105K5RACTU	1206/3216	1.0 µF	±10	50	1.60 ±0.20	X7R	Open Mode, Standard Termination	50
C1210F225K5RACTU	1210/3225	2.2 µF	±10	50	1.70 ±0.20	X7R	Open Mode, Standard Termination	50
C1210F475K3RACTU	1210/3225	4.7 µF	±10	25	1.70 ±0.20	X7R	Open Mode, Standard Termination	50
C1812F475K5RACTU	1812/4532	4.7 µF	±10	50	1.60 ±0.20	X7R	Open Mode, Standard Termination	25
C0805J103K2RACTU	0805/2012	10,000 pF	±10	200	0.90 ±0.10	X7R	Open Mode, Flexible Termination	50
C0805J104K5RACTU	0805/2012	0.10 µF	±10	50	1.25 ±0.15	X7R	Open Mode, Flexible Termination	50
C0805J224K5RACTU	0805/2012	0.22 µF	±10	50	1.25 ±0.15	X7R	Open Mode, Flexible Termination	50
C1206J473K2RACTU	1206/3216	47,000 pF	±10	200	1.60 ±0.15	X7R	Open Mode, Flexible Termination	50
C1206J104K2RACTU	1206/3216	0.10 µF	±10	200	1.60 ±0.15	X7R	Open Mode, Flexible Termination	50
C1206J154K1RACTU	1206/3216	0.15 µF	±10	100	1.60 ±0.15	X7R	Open Mode, Flexible Termination	50
C1210J474K1RACTU	1210/3225	0.47 µF	±10	100	1.85 ±0.20	X7R	Open Mode, Flexible Termination	50
C1210J105K1RACTU	1210/3225	1.0 µF	±10	100	2.50 ±0.30	X7R	Open Mode, Flexible Termination	50
C1812J105K1RACTU	1812/4532	1.0 µF	±10	100	2.00 ±0.20	X7R	Open Mode, Flexible Termination	25
C0402S102K5RACTU	0402/1005	1,000 pF	±10	50	0.50 ±0.05	X7R	Floating Electrode, Standard Termination	100
C0603S102K2RACTU	0603/1608	1,000 pF	±10	200	0.80 ±0.07	X7R	Floating Electrode, Standard Termination	50
C0603S103K5RACTU	0603/1608	10,000 pF	±10	50	0.80 ±0.07	X7R	Floating Electrode, Standard Termination	50
C0805S103K1RACTU	0805/2012	10,000 pF	±10	100	0.78 ±0.10	X7R	Floating Electrode, Standard Termination	50
C0805S223K1RACTU	0805/2012	22,000 pF	±10	100	0.90 ±0.10	X7R	Floating Electrode, Standard Termination	50
C1206S223KARACTU	1206/3216	22,000 pF	±10	250	0.90 ±0.10	X7R	Floating Electrode, Standard Termination	50
C1206S104K5RACTU	1206/3216	0.10 µF	±10	50	1.25 ±0.15	X7R	Floating Electrode, Standard Termination	50
C1210S473K2RACTU	1210/3225	47,000 pF	±10	200	0.90 ±0.10	X7R	Floating Electrode, Standard Termination	50
C1210S224K5RACTU	1210/3225	0.22 µF	±10	50	0.90 ±0.10	X7R	Floating Electrode, Standard Termination	50
C1812S104K1RACTU	1812/4532	0.10 µF	±10	100	1.00 ±0.10	X7R	Floating Electrode, Standard Termination	25
C0603Y222K2RACTU	0603/1608	2,200 pF	±10	200	0.80 ±0.07	X7R	Floating Electrode, Flexible Termination	50
C0603Y472K2RACTU	0603/1608	4,700 pF	±10	200	0.80 ±0.07	X7R	Floating Electrode, Flexible Termination	50
C0603Y223K5RACTU	0603/1608	22,000 pF	±10	50	0.80 ±0.07	X7R	Floating Electrode, Flexible Termination	50
C0805Y102K2RACTU	0805/2012	1,000 pF	±10	200	0.78 ±0.10	X7R	Floating Electrode, Flexible Termination	50
C0805Y104K5RACTU	0805/2012	0.10 µF	±10	50	1.25 ±0.15	X7R	Floating Electrode, Flexible Termination	50
C1206Y222K2RACTU	1206/3216	2,200 pF	±10	200	0.78 ±0.10	X7R	Floating Electrode, Flexible Termination	50
C1206Y103K2RACTU	1206/3216	10,000 pF	±10	200	0.78 ±0.10	X7R	Floating Electrode, Flexible Termination	50
C1210Y103K2RACTU	1210/3225	10,000 pF	±10	200	0.78 ±0.10	X7R	Floating Electrode, Flexible Termination	50
C1210Y104K1RACTU	1210/3225	0.10 µF	±10	100	0.95 ±0.10	X7R	Floating Electrode, Flexible Termination	50
C1812Y224K5RACTU	1812/4532	0.22 µF	±10	50	1.00 ±0.10	X7R	Floating Electrode, Flexible Termination	25

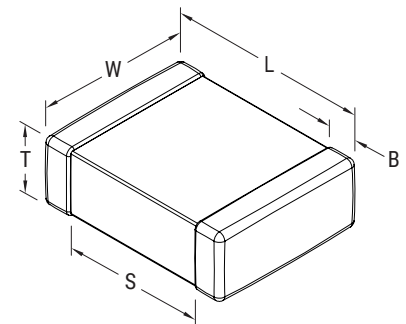
Dimensions – Millimeters (Inches) – Standard Termination

Case Size (in.)	Case Size (mm)	L Length	W Width	T Thickness	B Bandwidth	S Separation Minimum	Mounting Technique
0402	1005	1.00 (.040) ±0.05 (.002)	0.50 (.020) ±0.05 (.002)	See Table Above	0.30 (.012) ±0.10 (.004)	0.30 (.012)	Solder Reflow Only
0603	1608	1.60 (.063) ±0.15 (.006)	0.80 (.032) ±0.15 (.006)		0.35 (.014) ±0.15 (.006)	0.70 (.028)	Solder Wave or Solder Reflow
0805	2012	2.00 (.079) ±0.20 (.008)	1.25 (.049) ±0.20 (.008)		0.50 (0.02) ±0.25 (.010)	0.75 (.030)	
1206	3216	3.20 (.126) ±0.20 (.008)	1.60 (.063) ±0.20 (.008)		0.50 (0.02) ±0.25 (.010)	N/A	Solder Reflow Only
1210	3225	3.20 (.126) ±0.20 (.008)	2.50 (.098) ±0.20 (.008)		0.50 (0.02) ±0.25 (.010)		
1812	4532	4.50 (.177) ±0.30 (.012)	3.20 (.126) ±0.30 (.012)		0.60 (.024) ±0.35 (.014)		



Dimensions – Millimeters (Inches) – Flexible Termination

Case Size (in.)	Case Size (mm)	L Length	W Width	T Thickness	B Bandwidth	S Separation Minimum	Mounting Technique
0603	1608	1.60 (.064) ±0.17 (.007)	0.80 (.032) ±0.15 (.006)	See Table Above	0.45 (.018) ±0.15 (.006)	0.58 (.023)	Solder Wave or Solder Reflow
0805	2012	2.00 (.079) ±0.20 (.008)	1.25 (.049) ±0.20 (.008)		0.50 (0.02) ±0.25 (.010)	0.75 (.030)	
1206	3216	3.30 (.130) ±0.40 (.016)	1.60 (.063) ±0.20 (.008)		0.60 (.024) ±0.25 (.010)	N/A	Solder Reflow Only
1210	3225	3.30 (.130) ±0.40 (.016)	2.50 (.098) ±0.20 (.008)		0.60 (.024) ±0.25 (.010)		
1812	4532	4.50 (.178) ±0.40 (.016)	3.20 (.126) ±0.30 (.012)		0.70 (.028) ±0.35 (.014)		



KEMET Electronics Corporation Sales Offices

For a complete list of our global sales offices, please visit www.kemet.com/sales.

Disclaimer

YAGEO Corporation and its affiliates do not recommend the use of commercial or automotive grade products for high reliability applications or manned space flight.

All product specifications, statements, information and data (collectively, the "Information") in this datasheet are subject to change. The customer is responsible for checking and verifying the extent to which the Information contained in this publication is applicable to an order at the time the order is placed. All Information given herein is believed to be accurate and reliable, but it is presented without guarantee, warranty, or responsibility of any kind, expressed or implied.

Statements of suitability for certain applications are based on KEMET Electronics Corporation's ("KEMET") knowledge of typical operating conditions for such applications, but are not intended to constitute – and KEMET specifically disclaims – any warranty concerning suitability for a specific customer application or use. The Information is intended for use only by customers who have the requisite experience and capability to determine the correct products for their application. Any technical advice inferred from this Information or otherwise provided by KEMET with reference to the use of KEMET's products is given gratis, and KEMET assumes no obligation or liability for the advice given or results obtained.

Although KEMET designs and manufactures its products to the most stringent quality and safety standards, given the current state of the art, isolated component failures may still occur. Accordingly, customer applications which require a high degree of reliability or safety should employ suitable designs or other safeguards (such as installation of protective circuitry or redundancies) in order to ensure that the failure of an electrical component does not result in a risk of personal injury or property damage.

Although all product-related warnings, cautions and notes must be observed, the customer should not assume that all safety measures are indicated or that other measures may not be required.

KEMET is a registered trademark of KEMET Electronics Corporation.