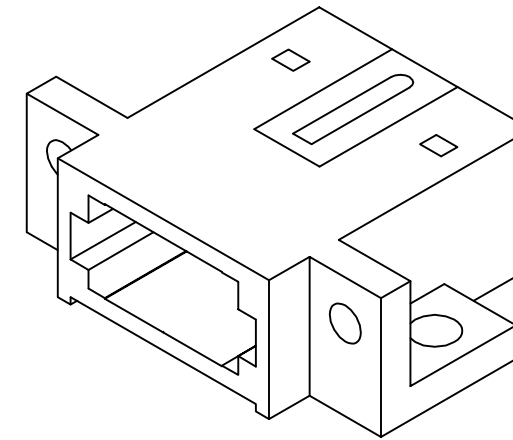
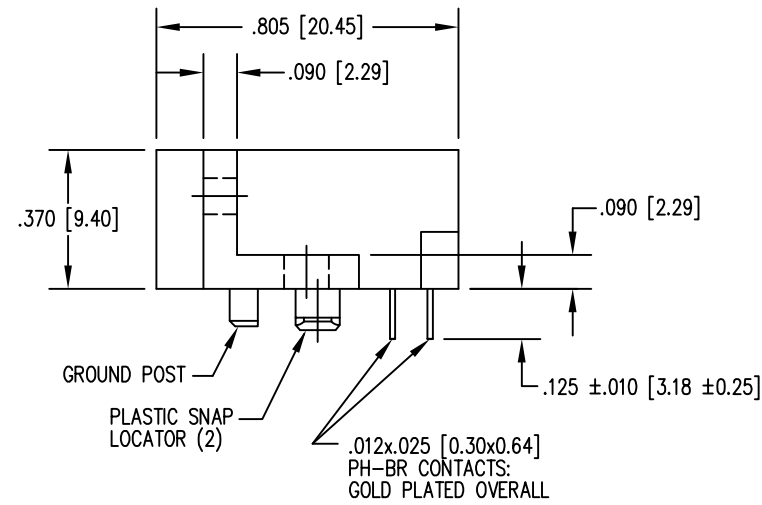
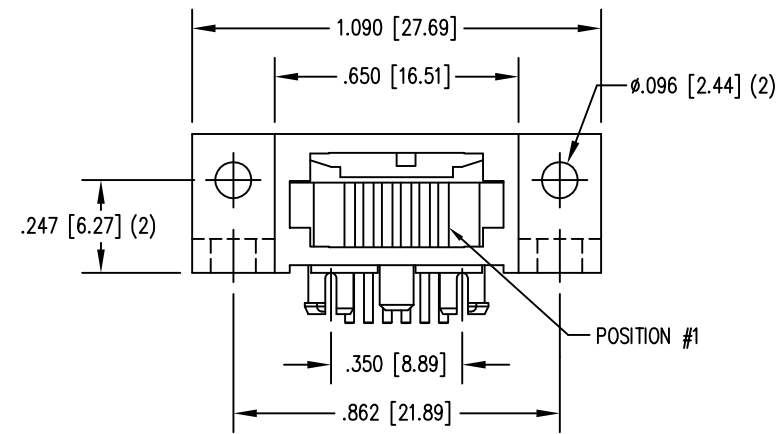
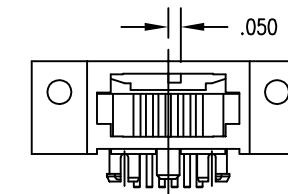


DATE	REV	ECN	APP'D. BY
9-28-15	A8	10429	SMN
3-28-16	A9	10634	TRM

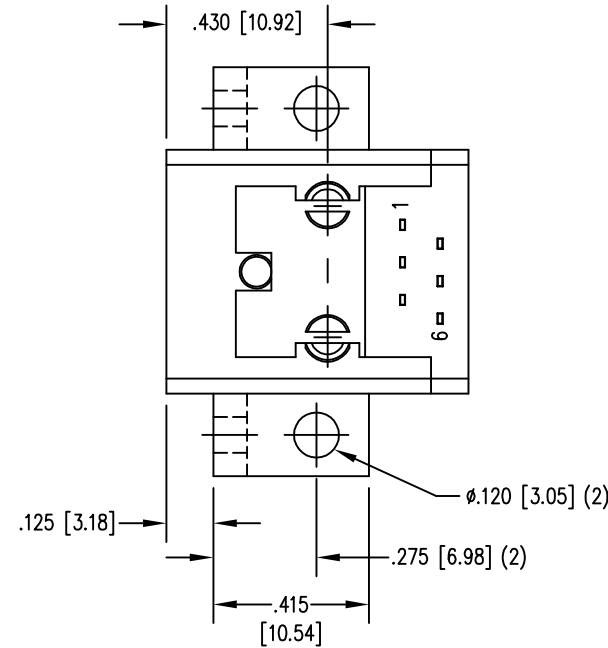
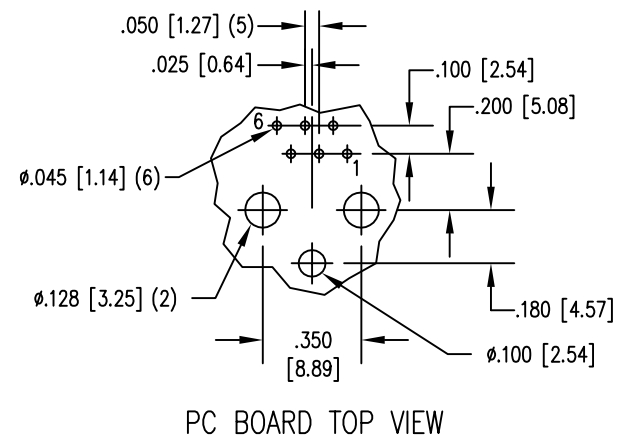


NOTES:

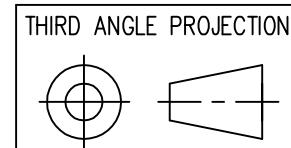
- CONNECTOR MATERIALS:
HOUSING: THERMOPLASTIC UL94 V-0
SHIELD: DIE CAST ALLOY
CONTACTS: COPPER ALLOY
SHIELD PLATING: TIN
CONTACT PLATING: SELECTIVE GOLD IN CONTACT AREA
SEE CHART FOR PART NUMBER
- FOR PRODUCT SPECIFICATIONS SEE PRO26-01.
- TOLERANCES ARE $\pm 0.06 [0.15]$ UNLESS OTHERWISE NOTED .



DIMENSIONS FOR KEY-5



	SS-61600-003
	ROI PART NUMBER
30 MICRO-INCHES [0.76um]	SS-610606-LF-P-5-4/6
CONTACT PLATING IN MATING AREA	LONG PART NUMBER



1118 Susquehanna Trail South
Glen Rock, PA 17327-9199
(717) 235-7512
<http://www.stewartconnector.com>

DO NOT SCALE DRAWING DRAWING IS SUBJECT TO CHANGE WITHOUT NOTICE	TITLE: 6 CONTACT COMPU-SHIELD JACK #4-40 TAP ON $\phi 0.096$ HOLES AND #6-32 TAP ON $\phi 0.120$ HOLES	
DIMENSIONS: INCHES [METRIC]	DRN BY: BK	DATE 2-14-95
UNLESS OTHERWISE SPECIFIED TOLERANCES ARE $\pm 0.05 [0.13]$ ANGLES ARE $\pm 1^\circ$	APPD BY: JW	DATE 2-14-95
SHEET NO. 1 OF 1	DWG NO. CT610013	REV. A9

