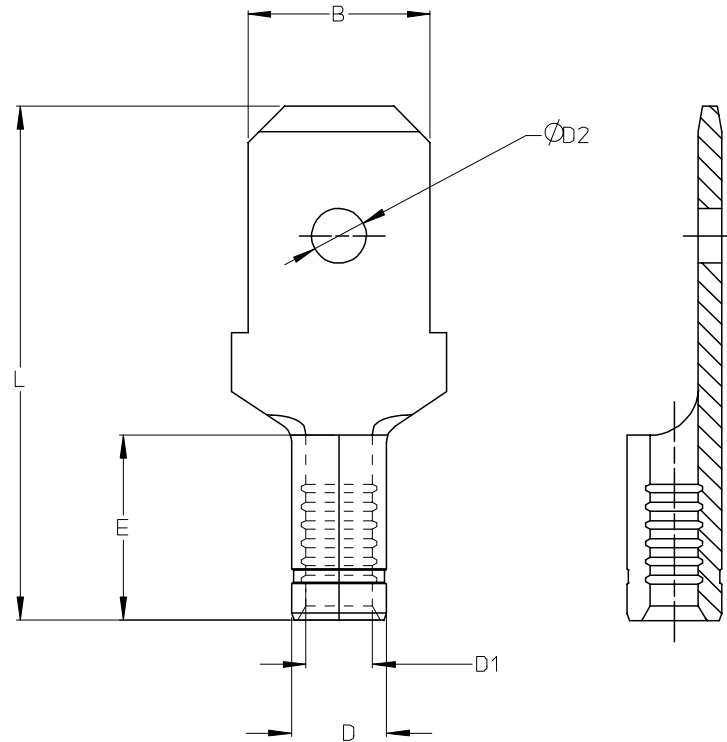


MATERIAL NUMBER	ENGINEERING NUMBER	D2 MAX	B MAX	L MAX	E MIN	D1 MIN	D MAX
192030374	192030374	.079/2.00	.260/6.61	.721/18.32	173/4.40	.083/2.10	.166/4.20



NOTES:

1. MATERIAL: STEEL, .031/0.80 THICK REF
2. FINISH: NICKEL PLATING
3. WIRE RANGE: 16-14
4. PART IS ROHS COMPLIANT.
5. AMBIENT OPERATING TEMPERATURE UP TO 900 °F (483 °C).

ADDED OPERATING TEMP EC NO: ETC2007-0297 DRW: NEHLE 2007/03/13 CHKD: JMACNEIL 2007/03/13 APPR: JMACNEIL 2007/03/14	QUALITY SYMBOLS ▽=0 ▽=0	GENERAL TOLERANCES (UNLESS SPECIFIED)		DIMENSION STYLE	SCALE	DESIGN UNITS	THIRD ANGLE PROJECTION	
		mm	INCH	IN/MM	---	INCH		
		4 PLACES	± ---	± ---	DRAWN BY	DATE	TITLE	
		3 PLACES	± ---	± ---	ASAYDEH	05/12/02	MALE CONNECTOR TERMINAL	
2 PLACES	± ---	± ---	CHECKED BY	DATE	KRYPTITE, STEEL,			
1 PLACE	± ---	± ---	RDEROSS	05/12/02	900 DEG F (483 DEG C)			
ANGULAR ± ---°			APPROVED BY	DATE	MOLEX MOLEX INCORPORATED			
			RDEROSS	05/12/02				
DRAFT WHERE APPLICABLE MUST REMAIN WITHIN DIMENSIONS		MATERIAL NO.		DOCUMENT NO.		SHEET NO.		
		SEE CHART		SD-19203-026		1 OF 1		
		SIZE B		THIS DRAWING CONTAINS INFORMATION THAT IS PROPRIETARY TO MOLEX INCORPORATED AND SHOULD NOT BE USED WITHOUT WRITTEN PERMISSION				