

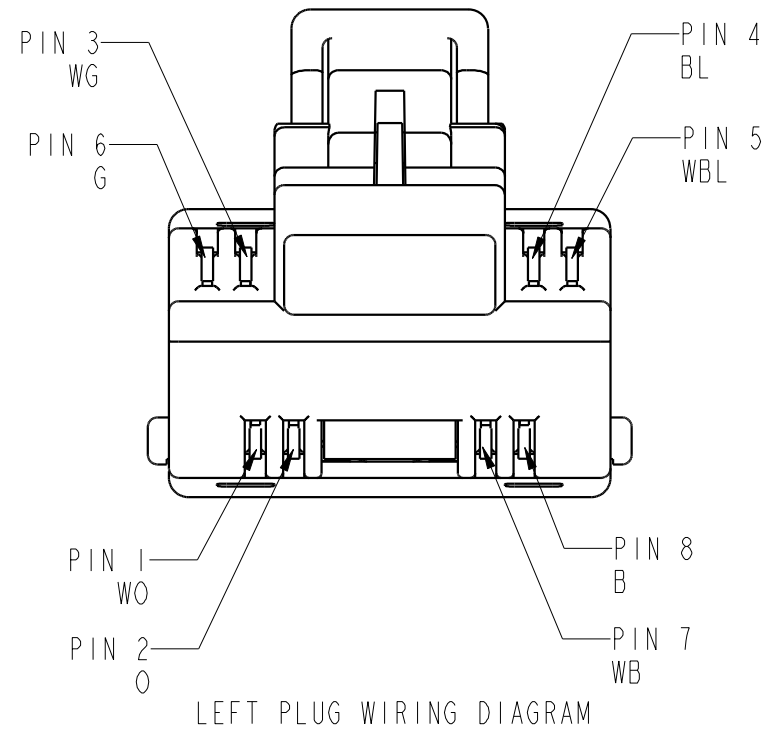
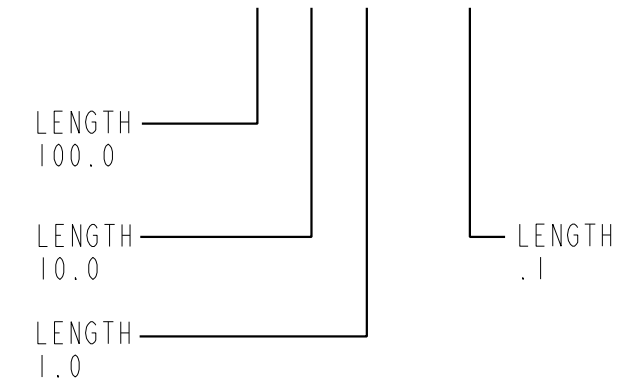
DATE	REV.	ECN	APP'D BY
2-23-15	A2	10264	TRM
2-24-16	A3	10563	TRM

LEFT PLUG: CAT 7a

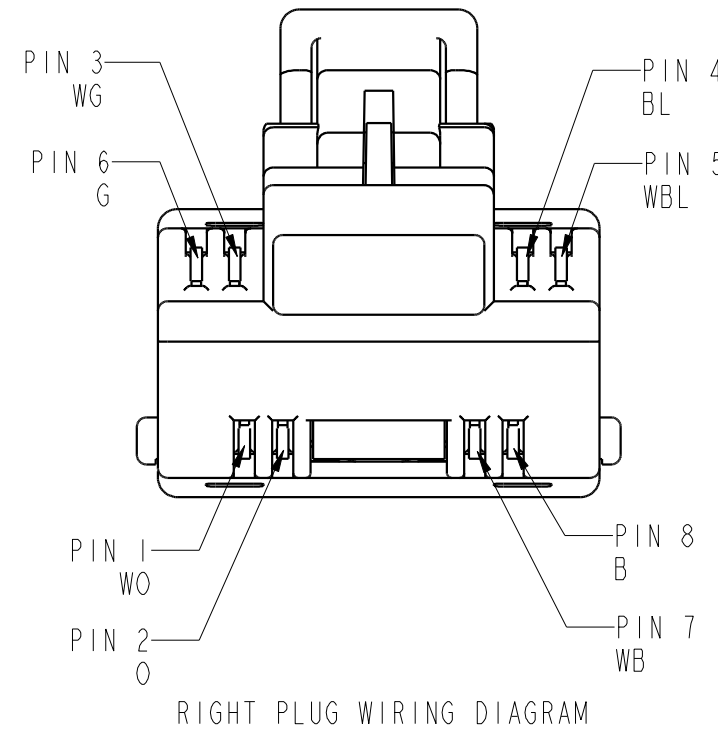
RIGHT PLUG: CAT 7a



# CA77-XXXXM-2



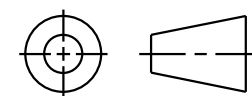
LEFT PLUG WIRING DIAGRAM



RIGHT PLUG WIRING DIAGRAM

STANDARD LENGTHS	PART NUMBER
10 METER	CA77-010M0-2
7 METER	CA77-007M0-2
5 METER	CA77-005M0-2
3 METER	CA77-003M0-2
2 METER	CA77-002M0-2
1 METER	CA77-001M0-2

THIRD ANGLE PROJECTION



11118 Susquehanna Trail South  
 Glen Rock, PA 17327-9199  
 (717) 235-7512  
<http://www.stewartconnector.com>

DO NOT SCALE DRAWING

DRAWING IS SUBJECT TO CHANGE WITHOUT NOTICE

DIMENSIONS: FEET (METER)

UNLESS OTHERWISE SPECIFIED TOLERANCES ARE ±.005 [0.13] ANGLES ARE ±1°

SHEET NO. 1 OF 1

ARJ45 HS CAT 7a TO CAT 7a STANDARD LENGTH PATCH CORD ASSEMBLY, METER, GREY CABLE

THIS DRAWING AND THE SUBJECT MATTER SHOWN THEREON ARE CONFIDENTIAL AND THE PROPRIETARY PROPERTY OF STEWART CONNECTOR AND SHALL NOT BE REPRODUCED, COPIED, OR USED IN ANY MANNER WITHOUT PRIOR WRITTEN CONSENT OF STEWART CONNECTOR. ONE OR MORE U.S. PATENTS MAY APPLY TO THIS PRODUCT. FOR DETAILS, PLEASE VISIT: [HTTP://BELFUSE.COM/STEWART/STEWART\\_PATENTS/](http://BELFUSE.COM/STEWART/STEWART_PATENTS/)

DRN BY: SAW	DATE 12/20/06
APPD BY: DHG	DATE 12/20/06
DWG. NO. CTCA77-004	REV. A3

B=BROWN	BL=BLUE
WB=WHITE/BROWN	WBL=WHITE/BLUE
G=GREEN	O=ORANGE
WG=WHITE/GREEN	WO=WHITE ORANGE

