

LTRS.		REVISIONS		
ORIGINATOR	CHECKER	ENGR APP	MATL APP	
-	RELEASED	6E5T-14474-SA	ARCHIVED DATE:	
	ARCHIVED DATE:	AE00-E-11505652-025		
DEVITO	WILSON	PRICE		

FORD PART NUMBER	MOLEX PART NUMBER
6E5T-14474-SA	19006-0004

NOTES:

APPROVED FOR USE ONLY IN 'BLACK BOX' APPLICATIONS, WHICH ARE TO PASS SYSTEM LEVEL VALIDATION TESTING. CONNECTOR SDS EL-0173 NOT MET TERMINAL RETENTION FORCE AND TESTING SPECIFIC TO EVALUATE TERMINAL MUST BE PERFORMED AT SYSTEM-LEVEL.

MATERIAL NO.	ENGL NO.	MATERIAL NO. TAPE MOUNTED	ENGL NO. TAPE MOUNTED	MATERIAL NO. STRIP MOUNTED	ENGL NO. STRIP MOUNTED	AWG	COLOR	HMD	"L" ±.015/.301	"E" ±.015/.301	"C" DIA ±.015/.301	"G" ±.015/.301	"H" ±.015/.301
190060001	AA-5220	190060003	AA-5220T	190060004	AA-5220Z	22-18	RED	.750/3.81	.620/15.75	5.12/130.0	2.22/56.4	6.90/17.53	1.96/4.98
190060011	BB-5221	190060013	BB-5221T	190060014	BB-5221Z	16-14	BLUE	.770/4.32	5.00/12.70	2.42/6.15	6.90/17.53	1.96/4.98	
190060019	C-521Z	190060020	C-521ZT	190060020	C-521Z	12-10	YELLOW	2.45/6.23	6.67/16.94	5.11/12.98	3.11/7.90	6.77/17.20	2.44/6.25

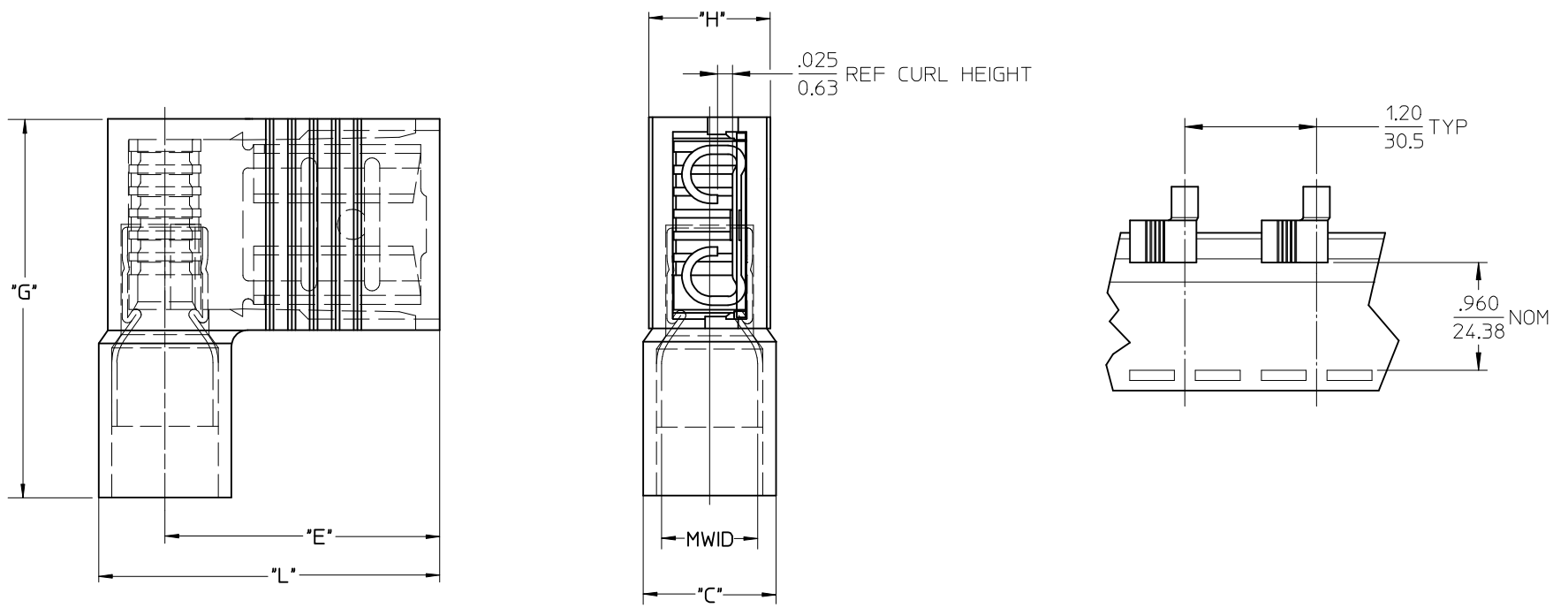
SALES DRAWING

NOTES: 1. MATERIAL: BRASS. PLATING: ELECTROPLATE TIN. 2. INSULATION: NYLON. 3. MWD-MAXIMUM WIRE INSULATION DIA. 4. ALL DIMENSIONS IN INCHES (MM).	IEC NO. UAU2004-0236 DRAWN BY DEVITO 2004/01/28 APPR BY WILSON 2004/02/04	QUALITY SYMBOLS 0 0	GENERAL TOLERANCES (UNLESS SPECIFIED) DIM INCH DIM IN/MM 4 PLACES ±.005 ±.005 3 PLACES ±.013 ±.01 2 PLACES ±.025 ±.01 1 PLACE ±.025 ±.01 ANGULAR ±12° DRAFT WHERE APPLICABLE MUST REMAIN WITHIN DIMENSIONS	SCALE: 1:1 DESIGN UNITS: INCH DIMENSION STYLE: IN/MM DRAWN BY: DEVITO DATE: 01/16/04 CHECKED BY: DEVITO DATE: 01/16/04 APPROVED BY: WILSON DATE: 01/16/04 THIS DRAWING CONTAINS INFORMATION THAT IS PROPRIETARY TO MOLEX INCORPORATED AND SHOULD NOT BE USED WITHOUT WRITTEN PERMISSION.	THIRD ANGLE PROJECTION TITLE: TERMINAL MOLEX INCORPORATED MATERIAL NO. 19006-0004 DOCUMENT NO. 6E5T-14474-SA SHEET NO. 1 OF 1
--	---	---------------------------	--	---	--

REFERENCE ---	
PART MUST COMPLY WITH MATERIAL SPECIFICATION WSS-M99P9999-A1 TO HELP SAFEGUARD HEALTH, SAFETY AND THE ENVIRONMENT.	
DRAFTED IN ACCORDANCE WITH FAO ENGINEERING DRAFTING STANDARD CURRENT AT INITIAL RELEASE	3RD ANGLE PROJ DIMENSIONS IN MILLIMETERS
CAD TYPE	CAD LOC. CAD FILE
OPER. NO.	UNIT DRAWING
DESIGN MOEDEVITO	TITLE 6E5T-14474-SA
CHECKED BBWILSON	SAFETY
SCALE 1:1	DATE 2004/01/28 DIVISION PLANT

DRW SIZE A/D/7

10	9	8	7	6	5	4	3	2	19006				
MATERIAL NO.	ENG. NO.	MATERIAL NO. TAPE MOUNTED	ENG. NO. TAPE MOUNTED	MATERIAL NO. STRIP MOUNTED	ENG. NO. STRIP MOUNTED	AWG	COLOR	MWID	"L" ±.015/.381	"E" ±.015/.381	"C" DIA ±.015/.381	"G" ±.015/.381	"H" ±.015/.381
190060001	AA-5220	190060003	AA-5220T	190060004	AA-5220Z	22-18	RED	.150/3.81	.620/15.75	.512/13.00	.222/5.64	.690/17.53	.196/4.98
190060011	BB-5221	190060013	BB-5221T	190060014	BB-5221Z	16-14	BLUE	.170/4.32	.500/12.70	.242/6.15	.690/17.53	.196/4.98	
190060019	C-5211	190060020	C-5211T	190060070	C-5211Z	12-10	YELLOW	.245/6.22	.667/16.94	.511/12.98	.311/7.90	.677/17.20	.246/6.25



SALES DRAWING

- NOTES:
1. MATERIAL: BRASS.
PLATING: ELECTROPLATE TIN.
 2. INSULATION: NYLON.
 3. MWID=MAXIMUM WIRE INSULATION DIA.
 4. ALL DIMENSIONS IN INCHES (MM).

EC NO: ETC2004-0126 DRWN: DMYRICK 2004/01/06 CHKD: SBEITZEL 2004/01/06 APPR: RDEROSS 2004/01/07	QUALITY SYMBOLS ▼ - 0 ∇ - 0	GENERAL TOLERANCES (UNLESS SPECIFIED)		SCALE NTS	DESIGN UNITS INCH	THIRD ANGLE PROJECTION	REVISE ON CAD ONLY		
		mm	INCH	DIMENSION STYLE IN/MM					
		4 PLACES ± --- ± ---	3 PLACES ± --- ± .005	2 PLACES ± 0.13 ± .01	1 PLACE ± 0.25 ± ---	DRAWN BY DMYRICK	DATE 03/12/26	AVIKRIMP FLAG FULLY INSULATED .250 TAB WIDTH	
		ANGULAR ±1/2° DRAFT WHERE APPLICABLE MUST REMAIN WITHIN DIMENSIONS				CHECKED BY SBEITZEL	DATE 03/12/26	MOLEX INCORPORATED	
B	REV	THIS DRAWING CONTAINS INFORMATION THAT IS PROPRIETARY TO MOLEX INCORPORATED AND SHOULD NOT BE USED WITHOUT WRITTEN PERMISSION		APPROVED BY RDEROSS	DATE 03/12/26	MATERIAL NO. (SEE CHART)	DOCUMENT NO. SD-19006-001	SHEET NO. 1 OF 1	