

3M™ WIREMOUNT SOCKET, 1522 SERIES
2MM X 2MM FOR 1MM PITCH CABLE

- * MATES WITH 1522 SERIES LATCH/EJECT HEADER
- * 2MM X 2MM GRID PIN STRIPS.
- * LOW PROFILE
- * PREASSEMBLED COVERS
- * AVAILABLE WITH OR WITHOUT STRAIN RELIEF
- * AVAILABLE WITH OPTIONAL CENTERBUMP POLARITY FEATURE

- NOTES
- REGULATORY INFORMATION:
VISIT 3M.com/regs
 - IN THE EVENT OF CONFLICT BETWEEN THIS DATA AND THAT CONTAINED IN THE PRODUCT SPECIFICATION, THE PRODUCT SPECIFICATION TAKES PRECEDENT.
 - NOTE:
APPLICATION TOOLS:
3640 PRESS (OR EQUIVALENT)
3443-118 LOCATOR PLATE
3442-9 PLATTEN
 - MEASURED AT TIP OF PIN.
 - TAPERED PIN TIP CONFIGURATION RECOMMENDED.

2 PHYSICAL :

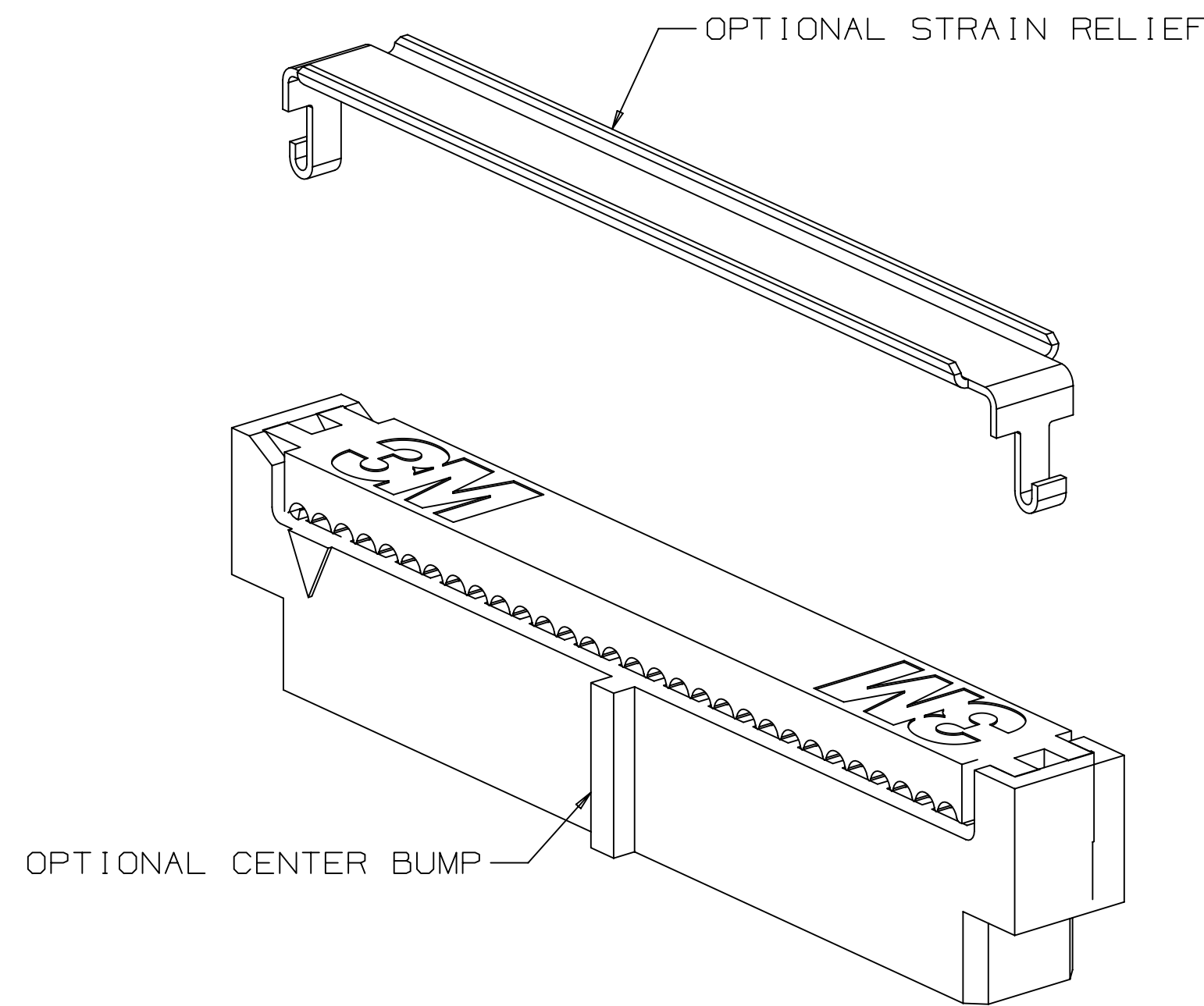
INSULATOR: GLASS FILLED POLYESTER (PBT)
 MATERIAL: UL94V-0
 FLAMMABILITY: COLOR: GRAY
 CONTACT: MATERIAL: COPPER ALLOY
 PLATING: UNDER PLATING AND U-SLOT: 50-150µ" (1.27-3.81µm) NICKEL-OVERALL
 WIPING AREA: AVERAGE GOLD - REFER TO ORDERING INFORMATION
 WIRE ACCOMMODATION: 28 AWG STRANDED
 MARKINGS: 3M LOGO, PART IDENTIFICATION NUMBER AND ORIENTATION TRIANGLE

2 ELECTRICAL :

CURRENT RATING: 4.75A, 1 LINE POWERED
 2.75A, 6 ADJACENT LINES POWERED
 1.25A, ALL LINES POWERED
 RATING CONDITIONS: EIA-364-070 METHOD 2, 30°C MAXIMUM
 TEMPERATURE RISE, 20% DERATED. REFERENCE APPROPRIATE
 3M PRODUCT SPECIFICATION FOR DETAILED CURRENT DERATING
 CURVES.
 INSULATION RESISTANCE: >1 X 10⁹Ω AT 500 V_{DC}
 WITHSTANDING VOLTAGE: 500V_{RMS} AT SEA LEVEL

2 ENVIRONMENTAL :

TEMPERATURE RATING: -55°C TO +105°C



ORDERING INFORMATION 3
SOCKET ASSEMBLY

1522XX-01XXGB

CONTACT QUANTITY:
(SEE TABLE 1)

1 = PREASSEMBLED OPEN COVER
0 = NO POLARIZATION
1 = WITH CENTER BUMP

PLATING:
GB = 30µ" AVG. GOLD

0 = NO STRAIN RELIEF
3 = WITH STRAIN RELIEF

ORDERING INFORMATION
OPTIONAL STRAIN RELIEF

3448-1522XX

CONTACT QUANTITY:
(SEE TABLE 1)

ORDERING INFORMATION
OPTIONAL KEYING PLUG

3435-152200
(ORDER SEPARATELY)

DIMENSIONS: INCHES [MM]
[MM] IS REF. ONLY

DESIGN REFERENCE	NEXT ASSEMBLY	REV	ECO	ISSUE DATE AND DESCRIPTION	DRFT	CHKD
				SEP 21, 2021 REVISE ELECTRICAL SPEC'S	JNC	FJR
				JUN 04, 2021 REVISED AND REDRAWN	JNC	FJR
				JUN 04, 2021		
				JUN 04, 2021		
				JUN 04, 2021		

DO NOT SCALE DRAWING	SCALE	TOLERANCES EXCEPT AS NOTED
	6 1	INCHES .00 ± .01 .0000 ± .0002
		MILLIMETERS 0 ± .00 ± .000 ±
		ANGLES ±

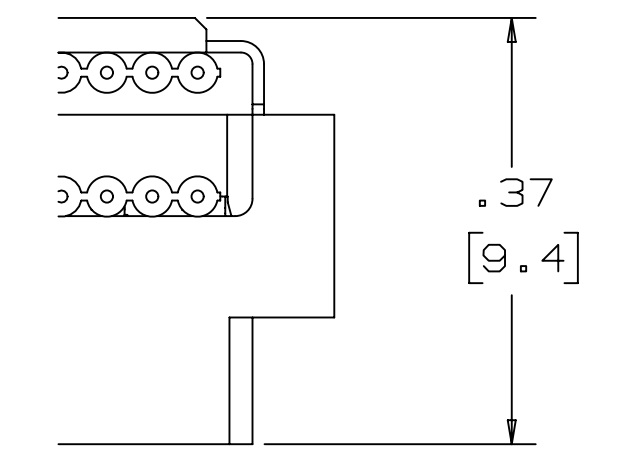
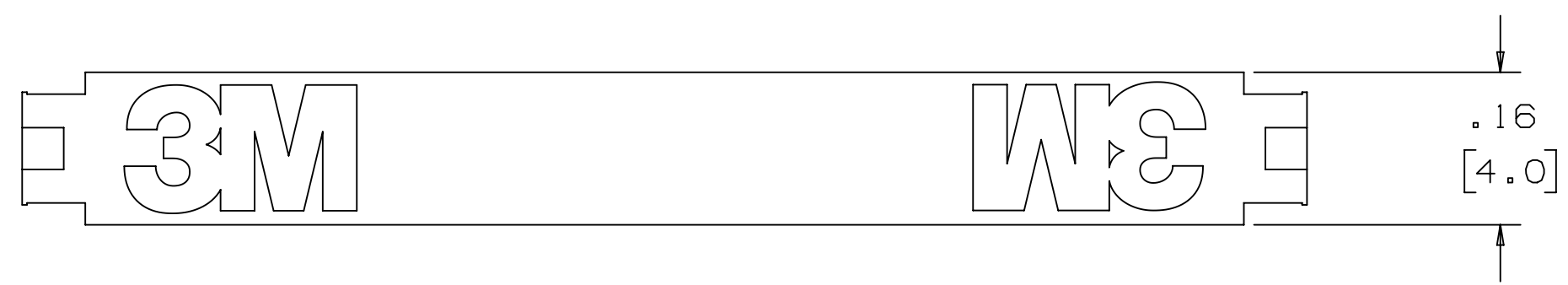
3M	© 3M COPYRIGHT 2021
3M Center St. Paul, MN 55144	This document and the information it contains are 3M property and may not be reproduced or further distributed without 3M permission, or used or disclosed other than for 3M authorized purposes. All rights reserved.
TITLE	WIREMOUNT SOCKET, 2MM X 2MM FOR 1MM PITCH CABLE, 1522 SERIES
CAGE NUMBER	D78-5100-0523-0
SIZE	H
DRAWING NO.	78-5100-0523-0
REV.	H
MODEL	1522
DET.	151s
YES	NO
SHT	1 OF 4

3M ELECTRONICS MATERIALS SOLUTIONS DIVISION
INTERCONNECT SOLUTIONS
<http://www.3M.com/interconnect>

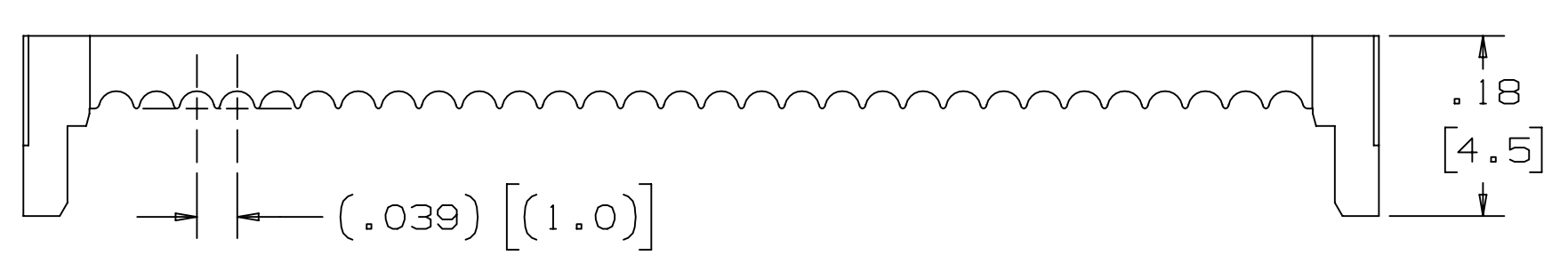
3M IS A TRADEMARK OF 3M COMPANY.
FOR TECHNICAL, SALES OR ORDERING
INFORMATION CALL 800-225-5373

UL
UL FILE NO: E68080

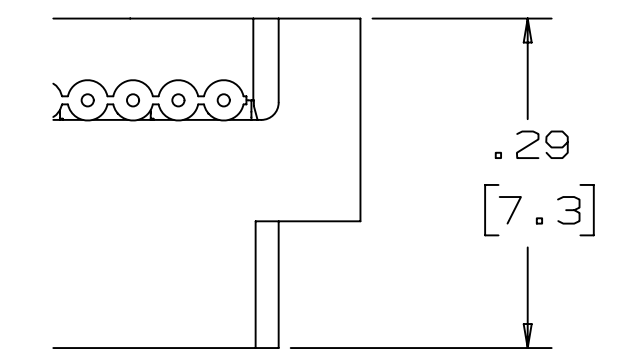
3M™ WIREMOUNT SOCKET, 1522 SERIES
2MM X 2MM FOR 1MM PITCH CABLE



ASSEMBLED HEIGHT WITH STRAIN RELIEF



VIEW OF COVER



ASSEMBLED HEIGHT WITHOUT STRAIN RELIEF

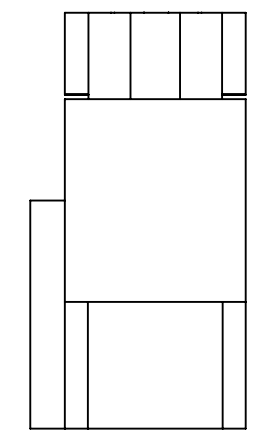
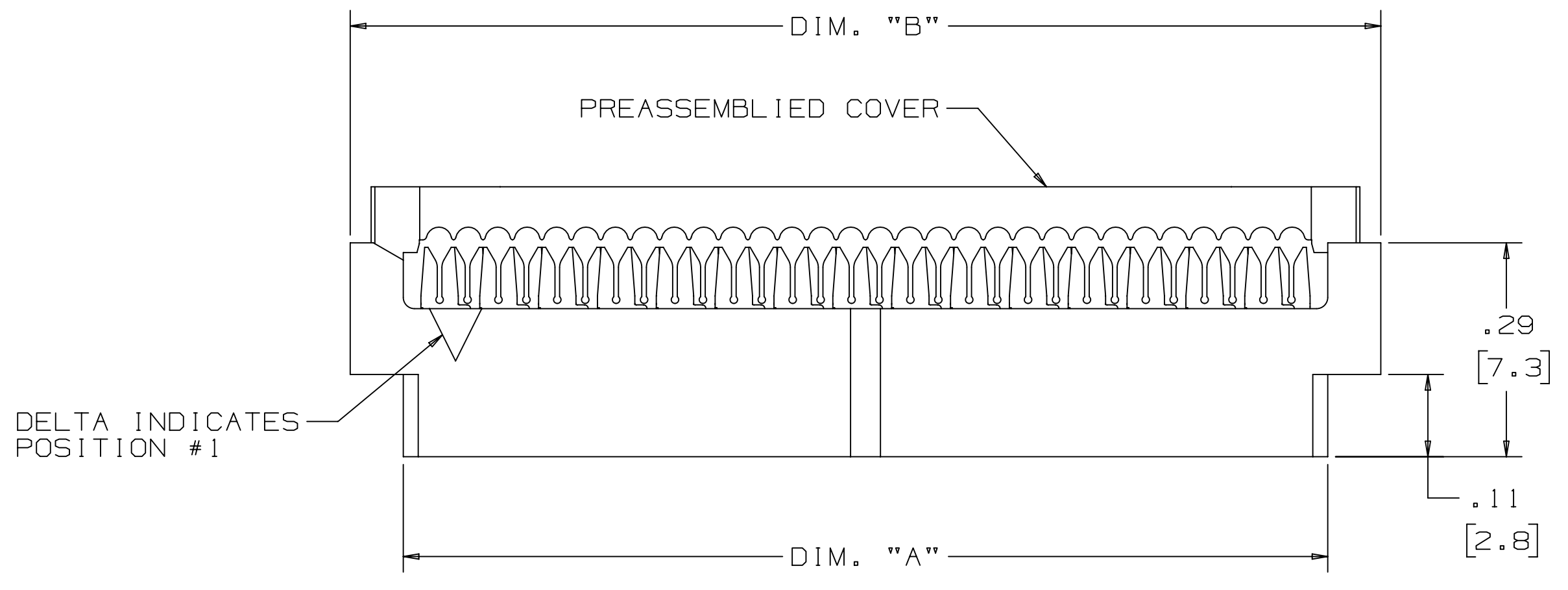
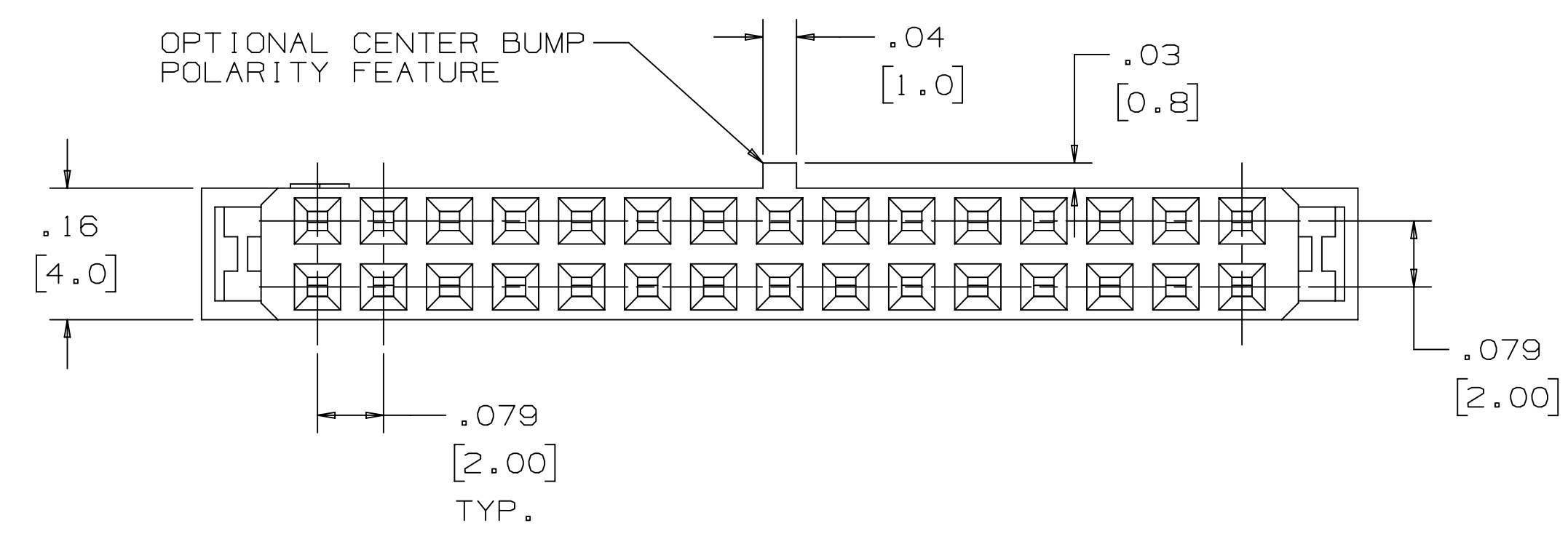


TABLE 1

CONTACT QTY.	DIM. "A"	DIM. "B"
10	.45 [11.4]	.59 [15.0]
12	.53 [13.4]	.67 [17.0]
20	.84 [21.3]	.99 [25.0]
26	1.08 [27.4]	1.22 [31.0]
40	1.63 [41.4]	1.77 [45.0]
44	1.79 [45.5]	1.93 [49.0]
50	2.03 [51.3]	2.17 [55.0]

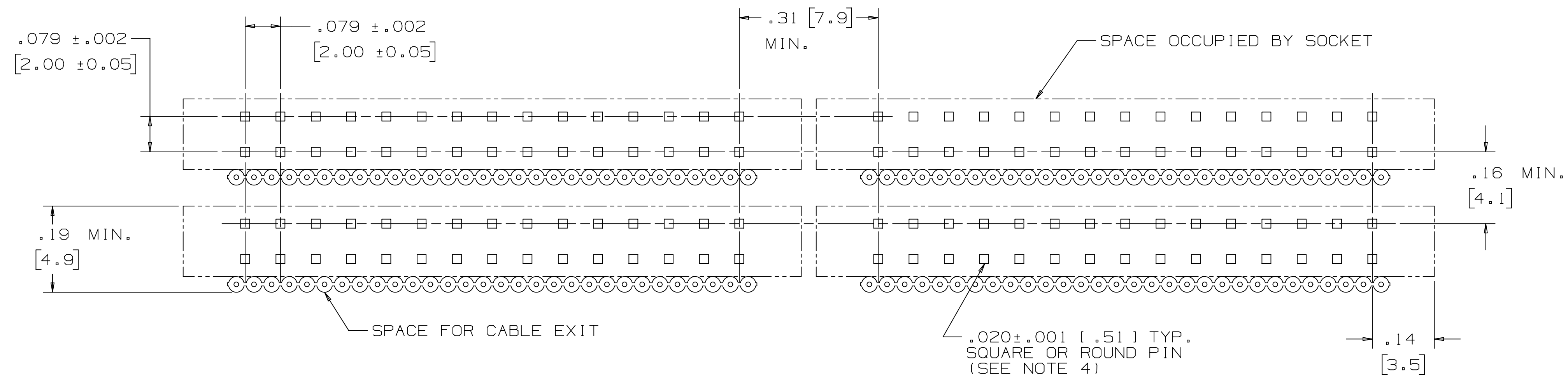


DESIGN REFERENCE	NEXT ASSEMBLY	REV	ECO	ISSUE DATE AND DESCRIPTION	DRFT	CHKD
		DRFT	CASTIGLIONE	DATE JUN 04, 2021	MFG	DATE
		CHKD		DATE	APPR	DATE
					F. RODRIGUEZ	JUN 04, 2021
DIVISION		DIVISION CODE		© 3M COPYRIGHT 2021 This document and the information it contains are 3M property and may not be reproduced or further distributed without 3M permission, or used or disclosed other than for 3M authorized purposes. All rights reserved.		
DO NOT SCALE DRAWING		SCALE 6/1		TOLERANCES EXCEPT AS NOTED INCHES .0 ± .1 .00 ± .01 .000 ± .005 .0000 ± .0002		
THIRD ANGLE PROJECTION		MILLIMETERS		TITLE WIREMOUNT SOCKET, 2MM X 2MM FOR 1MM PITCH CABLE, 1522 SERIES		
INTERPRET PER ASME Y14.5 - 2018		MILLIMETERS		CAGE NUMBER D78-5100-0523-0		
MAX SURFACE ROUGHNESS		MILLIMETERS		DRAWING NO. 78-5100-0523-0		
<input checked="" type="checkbox"/> MARKED ONLY		ANGLES ±		MODEL 1522		
				REV. H		
				DET. IS1s <input type="checkbox"/> YES <input checked="" type="checkbox"/> NO SHT 2 OF 4		

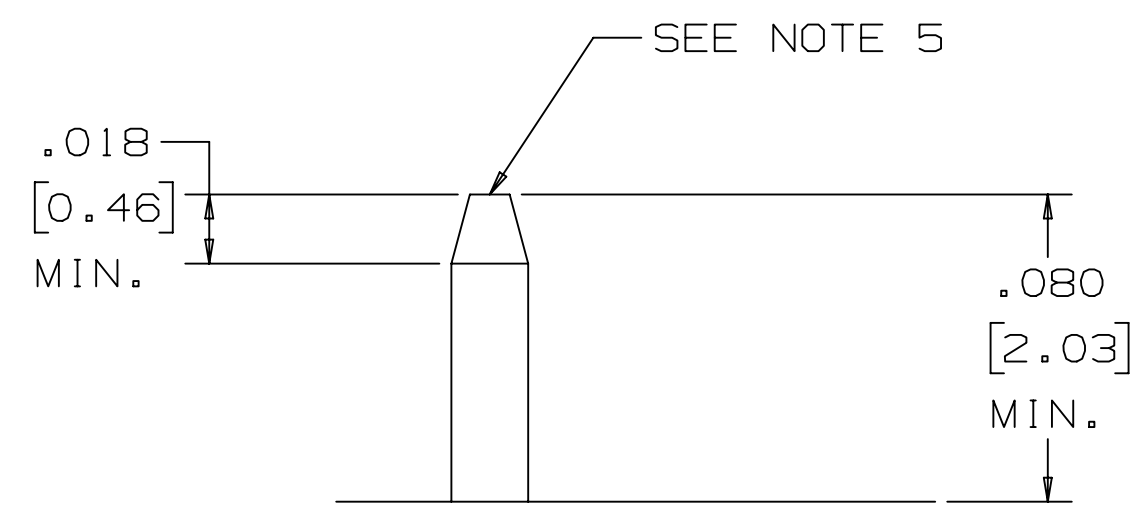
78-5100-0523-0
DRAWING NUMBER

A

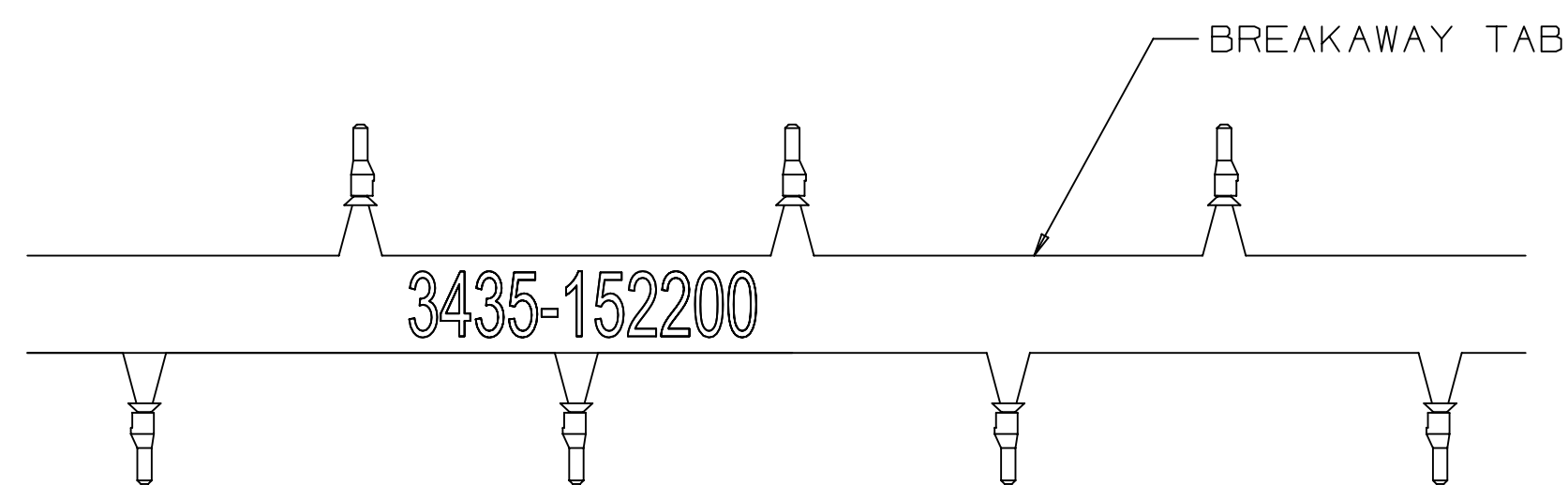
3M™ WIREMOUNT SOCKET, 1522 SERIES
2MM X 2MM FOR 1MM PITCH CABLE



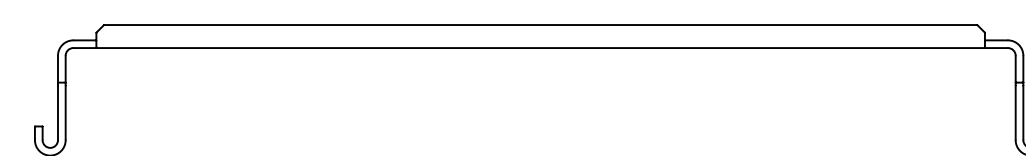
RECOMMENDED PIN PATTERN
FOR STACKED CONFIGURATIONS



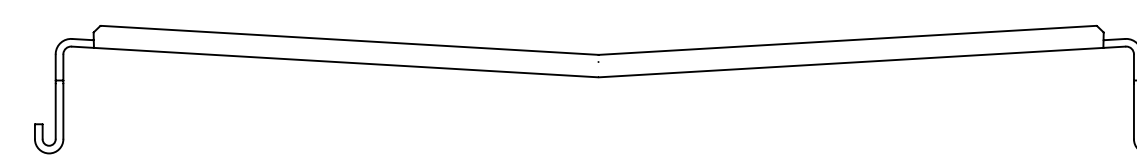
MATING PIN DETAIL



OPTIONAL KEYING PLUG
(ORDER SEPARATELY)



OPTIONAL STRAIN RELIEF
FOR POSITION 6 THRU 30



OPTIONAL STRAIN RELIEF
FOR POSITION 34 AND UP

DESIGN REFERENCE	NEXT ASSEMBLY	REV	ECO	ISSUE DATE AND DESCRIPTION	DRFT	CHKD
99400	SEP 21, 2021	JNC	FJR	REVISE ELECTRICAL SPEC'S		
97385	JUN 04, 2021	JNC	FJR	REVISUE AND REDRAWN		
CASTIGLIONE	JUN 04, 2021	APPR	F. RODRIGUEZ	JUN 04, 2021		
DIVISION CODE		EMSD				
DO NOT SCALE DRAWING	SCALE 1	TOLERANCES EXCEPT AS NOTED				
THIRD ANGLE PROJECTION	INTERPRET PER ASME Y14.5 - 2018	INCHES .00 ± .01 .0000 ± .0002				
MAX SURFACE ROUGHNESS	ALL SURFACES	MILLIMETERS 0 ±				
MARKED ONLY	ANGLES	CAGE NUMBER D 78-5100-0523-0				
		MODEL 1522				
		REV. H				

78-5100-0523-0
DRAWING NUMBER

A

Regulatory: For regulatory information about this product, visit 3M.com/regs or contact your 3M representative.

Technical Information: The technical information, recommendations and other statements contained in this document are based upon tests or experience that 3M believes are reliable, but the accuracy or completeness of such information is not guaranteed.

Product Use: Many factors beyond 3M's control and uniquely within user's control can affect the use and performance of a 3M product in a particular application. Given the variety of factors that can affect the use and performance of a 3M product, user is solely responsible for evaluating the 3M product and determining whether it is fit for a particular purpose and suitable for user's method of application.

Warranty, Limited Remedy, and Disclaimer: Unless an additional warranty is specifically stated on the applicable 3M product packaging or product literature, 3M warrants that each 3M product meets the applicable 3M product specification at the time 3M ships the product. 3M MAKES NO OTHER WARRANTIES OR CONDITIONS, EXPRESS OR IMPLIED, INCLUDING, BUT NOT LIMITED TO, ANY IMPLIED WARRANTY OR CONDITION OF MERCHANTABILITY OR FITNESS FOR A PARTICULAR PURPOSE OR ANY IMPLIED WARRANTY OR CONDITION ARISING OUT OF A COURSE OF DEALING, CUSTOM OR USAGE OR TRADE. If the 3M product does not conform to this warranty, then the sole and exclusive remedy is, at 3M's option, replacement of the 3M product or refund of the purchase price.

Limitation of Liability: Except where prohibited by law, 3M will not be liable for any loss or damage arising from the 3M product, whether direct, indirect, special, incidental or consequential, regardless of the legal theory asserted, including warranty, contract, negligence or strict liability.

3M Company
 Electronics Materials Solutions Division
 13011 McCallen Pass, Bldg. C
 Austin, TX 78753-5380
 1-800-225-5373
www.3M.com/interconnect

DESIGN REFERENCE		NEXT ASSEMBLY		REV	ECO	ISSUE DATE AND DESCRIPTION	DRFT	CHKD
TOLERANCES EXCEPT AS NOTED		DIVISION CODE EMSD		DRFT	CASTIGLIONE	DATE JUN 04, 2021	MFG	DATE
DO NOT SCALE DRAWING		SCALE 1/1		CHKD		DATE	APPRV	DATE
THIRD ANGLE PROJECTION		TOLERANCES EXCEPT AS NOTED		3M Center St. Paul, MN 55144		© 3M COPYRIGHT 2021. This document and the information it contains are 3M property and may not be reproduced or further distributed without 3M permission, or used or disclosed other than for 3M authorized purposes. All rights reserved.		
INTERPRET PER ASME Y14.5 - 2018		INCHES .00 ± .01 .000 ± .005 .0000 ± .0002		TITLE		WIREMOUNT SOCKET, 2MM X 2MM FOR 1MM PITCH CABLE, 1522 SERIES		
MAX SURFACE ROUGHNESS		MILLIMETERS 0 ± .00 ± .000		CAGE NUMBER		DRAWING NO.		REV.
MARKED ONLY		ANGLES ±		D 78-5100-0523-0		H		
				MODEL 1522		DET		IS1s <input type="checkbox"/> YES <input checked="" type="checkbox"/> NO SHT 4 OF 4

78-5100-0523-0
DRAWING NUMBER

A