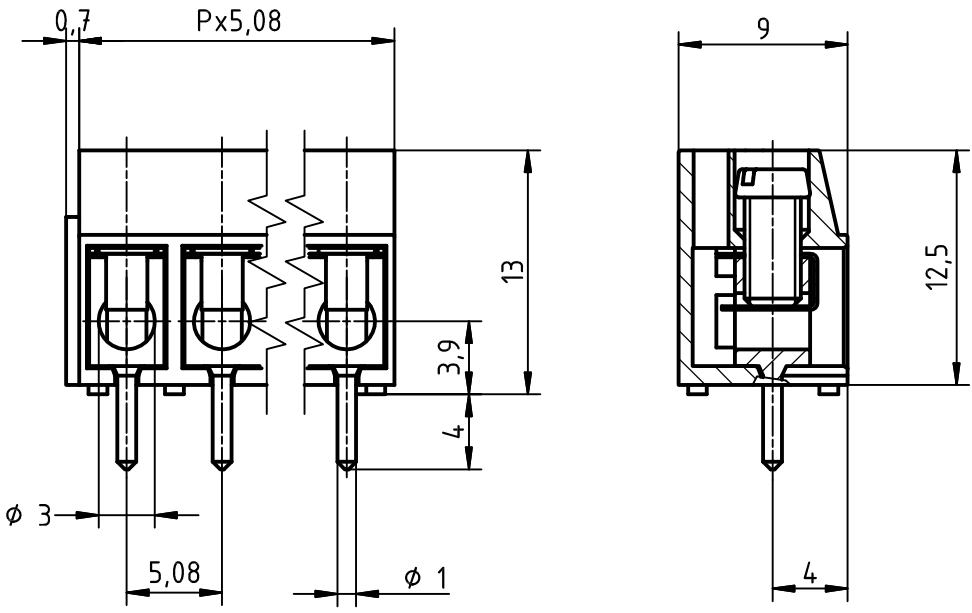


Transfer or duplication of this document as well as the utilisation or communication of its content are not permitted unless express consent is granted. Violations give rise to claims for damages. All rights reserved in case of patent, utility model or design patent registrations.



Ratings

Use Group	B	D
Rated Voltage	300V	300V
Rated Current	20A	10A
Rated Wire Size		
solid	AWG 22-12	AWG 22-12
flexible	AWG 22-12	AWG 22-12

Screw Size M3

Insulating Material

Material	PA 6.6
Flammability Class	UL 94 V-0

Materials

Clamp	Brass
Screw	Stainless Steel
Solder Tag	Steel
Temperature Range	-40° C ~ 105° C

RoHS Compliant

Part No.: **ED120/XDS**

No. of Poles
 02 2 Poles
 03 3 Poles

 12 12 Poles

DWG	WF. Zhang	DATE	2017.09.11	UNITS:	MM	SHEET:	1 OF 1	Tolerance
CHK.	WF. Zhang	DATE	2017.09.11	SCALE:	NONE 5:1 (:)	REV:	A	X. ±0.50
APP.		DATE		TITLE:	ED120DS series 5.08 mm, one piece wire protector, vertical wire entry			X.X ±0.30
				PART NO.	ED120/XDS			X* ±0.10
				DWG NO.	ED120/XDS.DWG			X* ±1°

⚠			
SIGN	DESCRIPTION	CHK.	DATE



ON-SHORE TECHNOLOGY, INC.

