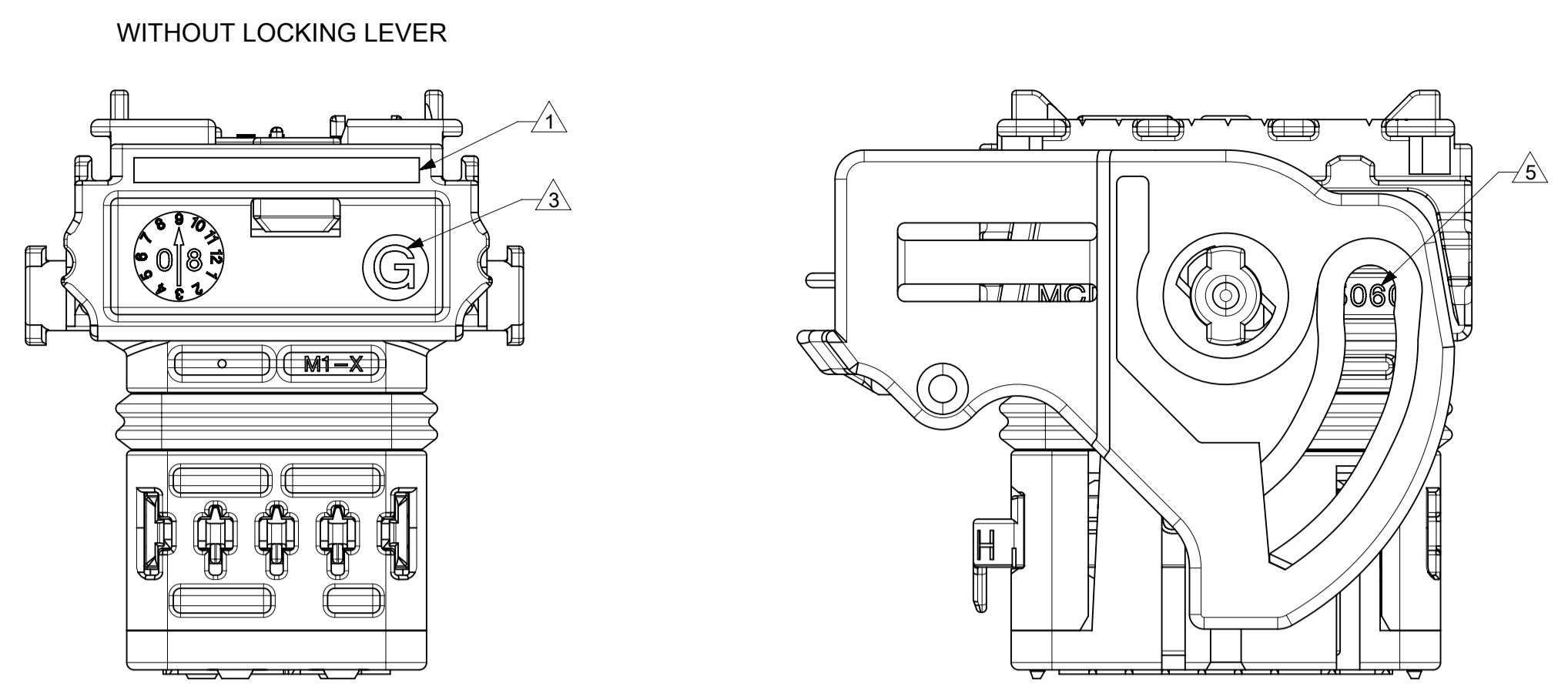


POS.	DESIGNATION	MATERIAL	COLOR
7	MAT SEAL	Silicon	RED
6	BACK GRID 24W	>PBT-GF20<	YELLOW
5	LOCKING LEVER 32W	>PBT-GF30<	BLACK
4	SECONDARY LOCK	>PBT-GF20<	GREEN
3	PERIPHERAL SEAL 32W	Silicon	BLUE
2	BACK PART	>PBT-GF20<	BLACK
1	FRONT PART	>PBT-GF20<	BLACK

**MARKINGS :**

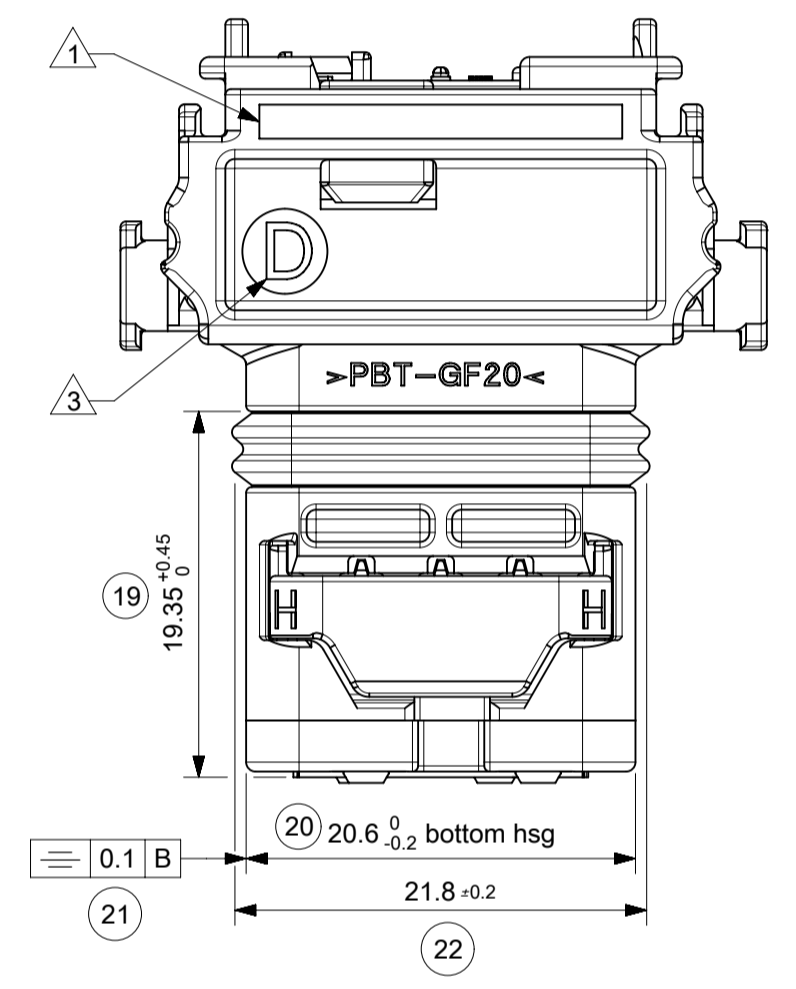
- Assembled part traceability:  
Year + Day
- Terminal cavities identification
- Lever position indicator:  
"D" LETTER VISIBLE = "RIGHT WIRE OUTPUT"  
"G" LETTER VISIBLE = "LEFT WIRE OUTPUT"
- Supplier identification
- Material identification

**LEFT WIRE OUTPUT**

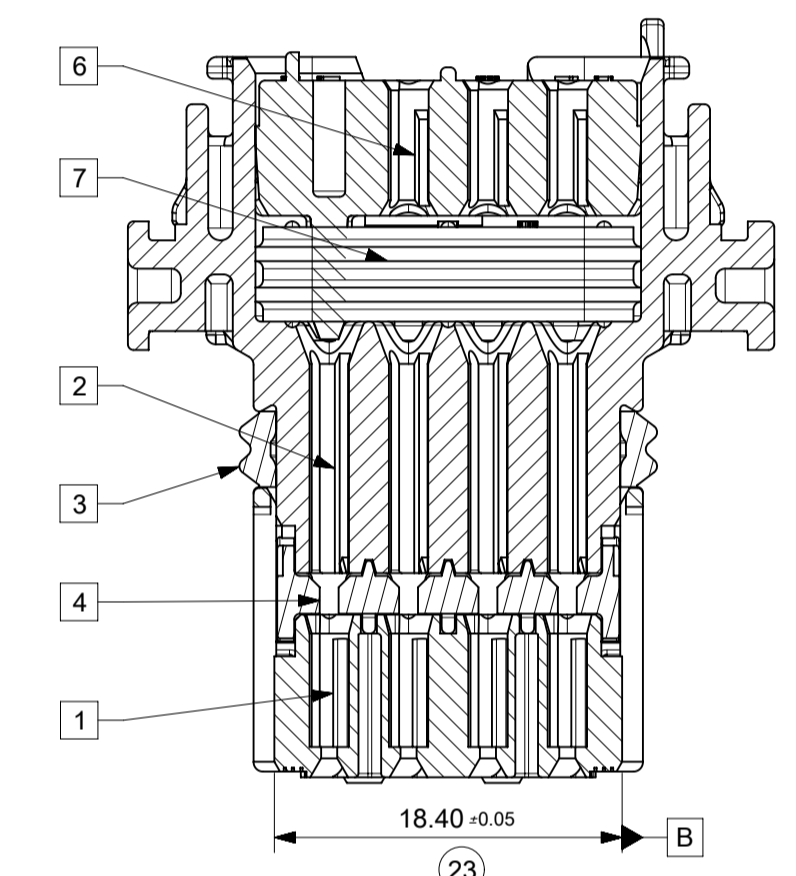


LEFT WIRE OUTPUT	
MATERIAL NUMBER	COLOR
0643192211	BLACK

**WITHOUT LOCKING LEVER**

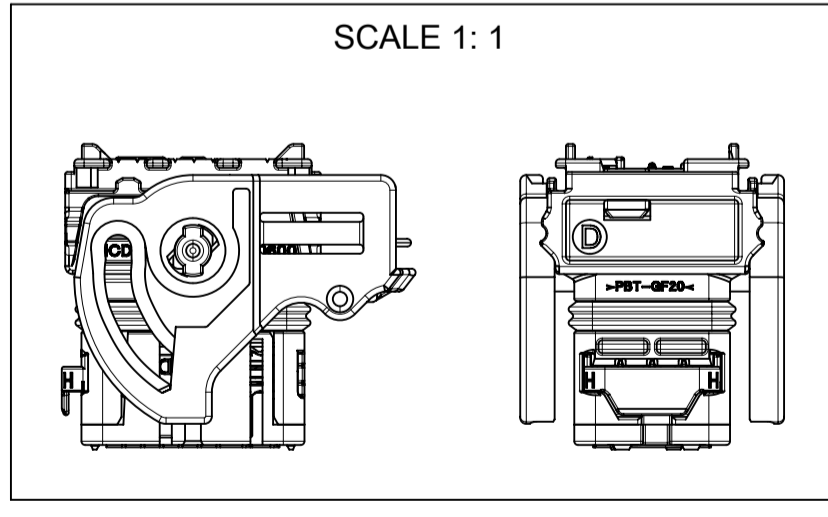


**SECTION A-A WITHOUT LOCKING LEVER**



RIGHT WIRE OUTPUT	
MATERIAL NUMBER	COLOR
0643194211	BLACK

**SCALE 1:1**



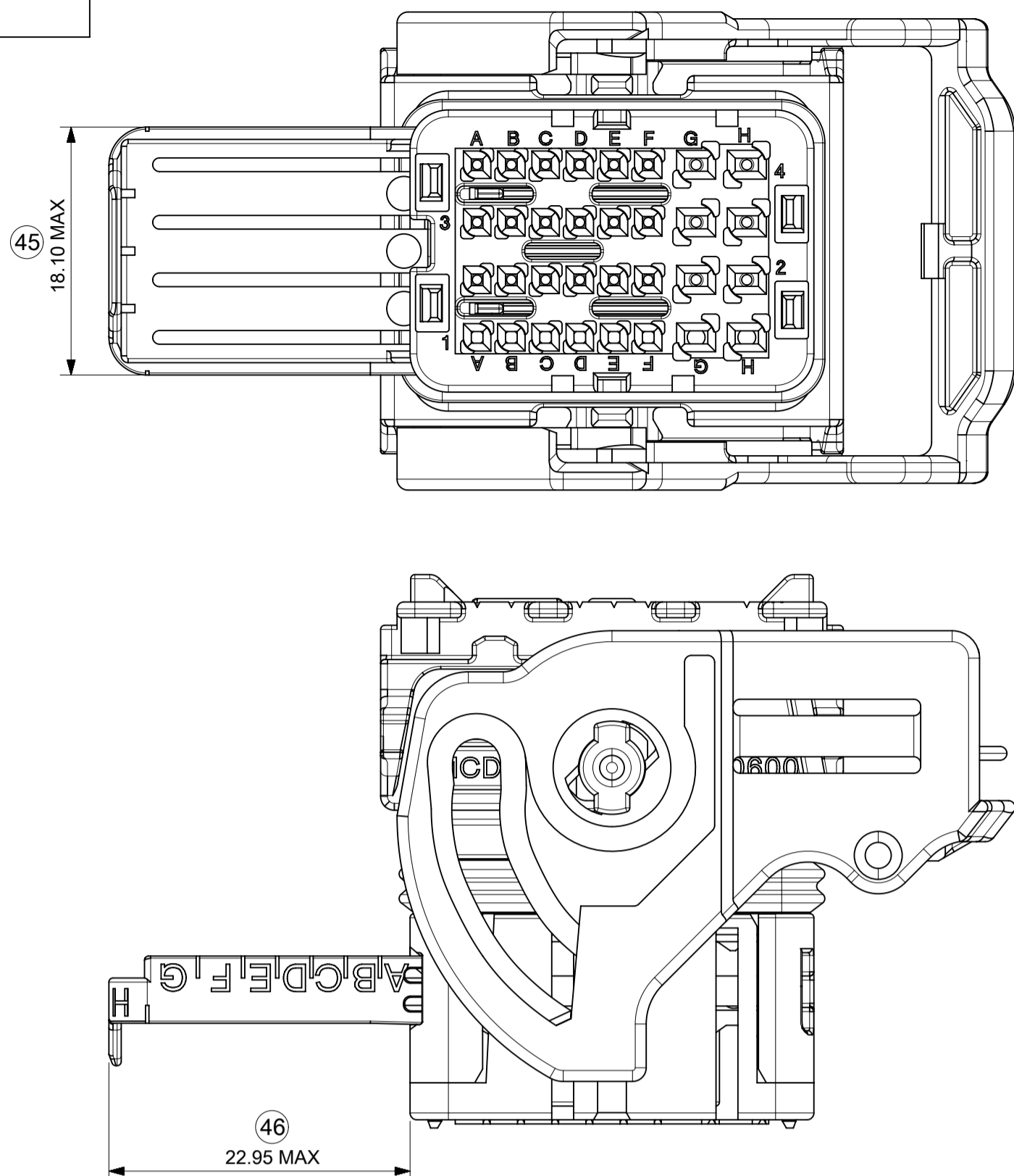
**NOTES:**

- FOR ILLUSTRATION PURPOSE THE FEMALE HOUSING SHOWN IS THE RIGHT WIRE OUTPUT
- APPLICATION SPECIFICATION: AS-64319-002
- WIRES EXTERNAL DIAMETER USED:  
FOR CP0.6 TERMINAL: USE WIRES WITH AN EXTERNAL DIAMETER BETWEEN Ø1.25MM MIN AND Ø1.90MM MAX  
FOR CP1.5 TERMINAL: USE WIRES WITH AN EXTERNAL DIAMETER BETWEEN Ø1.40MM MIN AND Ø2.80MM MAX
- THE CONNECTOR FITS WITH WIRE CAP (32 WAY) MOLEX P/N 0643191201
- BLIND PLUG FOR CP 0.6 AND 1.5 CAVITIES (MOLEX P/N 0643251010 AND 0643251023) MUST BE USED ON THIS PART
- DELIVERED PRODUCT WEIGHT: 27.6 g

THIS DRAWING CONTAINS INFORMATION THAT IS PROPRIETARY TO MOLEX ELECTRONIC TECHNOLOGIES, LLC AND SHOULD NOT BE USED WITHOUT WRITTEN PERMISSION		CURRENT REV DESC: NX RE-MASTERING		<b>molex</b>		
DIMENSION UNITS	SCALE					
mm	2.5:1			CMC CONNECTOR 24 WAY MAT SEAL VERSION		
GENERAL TOLERANCES (UNLESS SPECIFIED)				PRODUCT CUSTOMER DRAWING		
ANGULAR TOL	± 2.0°			DOCUMENT NUMBER		
4 PLACES	±	EC NO: 625008		643190003		
3 PLACES	±	DRWN: PBOSQUAIN 2019/09/11		DOC TYPE   DOC PART   REVISION		
2 PLACES	± 0.1	CHK'D: CBOUCHAN 2019/10/02		PSD   000   A		
1 PLACE	± 0.1	APPR: SLAFAURE 2019/10/07		CUSTOMER		
0 PLACES	±	INITIAL REVISION:		SHEET NUMBER		
DRAFT WHERE APPLICABLE MUST REMAIN WITHIN DIMENSIONS		FIRST ANGLE PROJECTION	DRAWING	SERIES	SEE TABLE	GENERAL MARKET
			A1-SIZE	64319	1 OF 2	

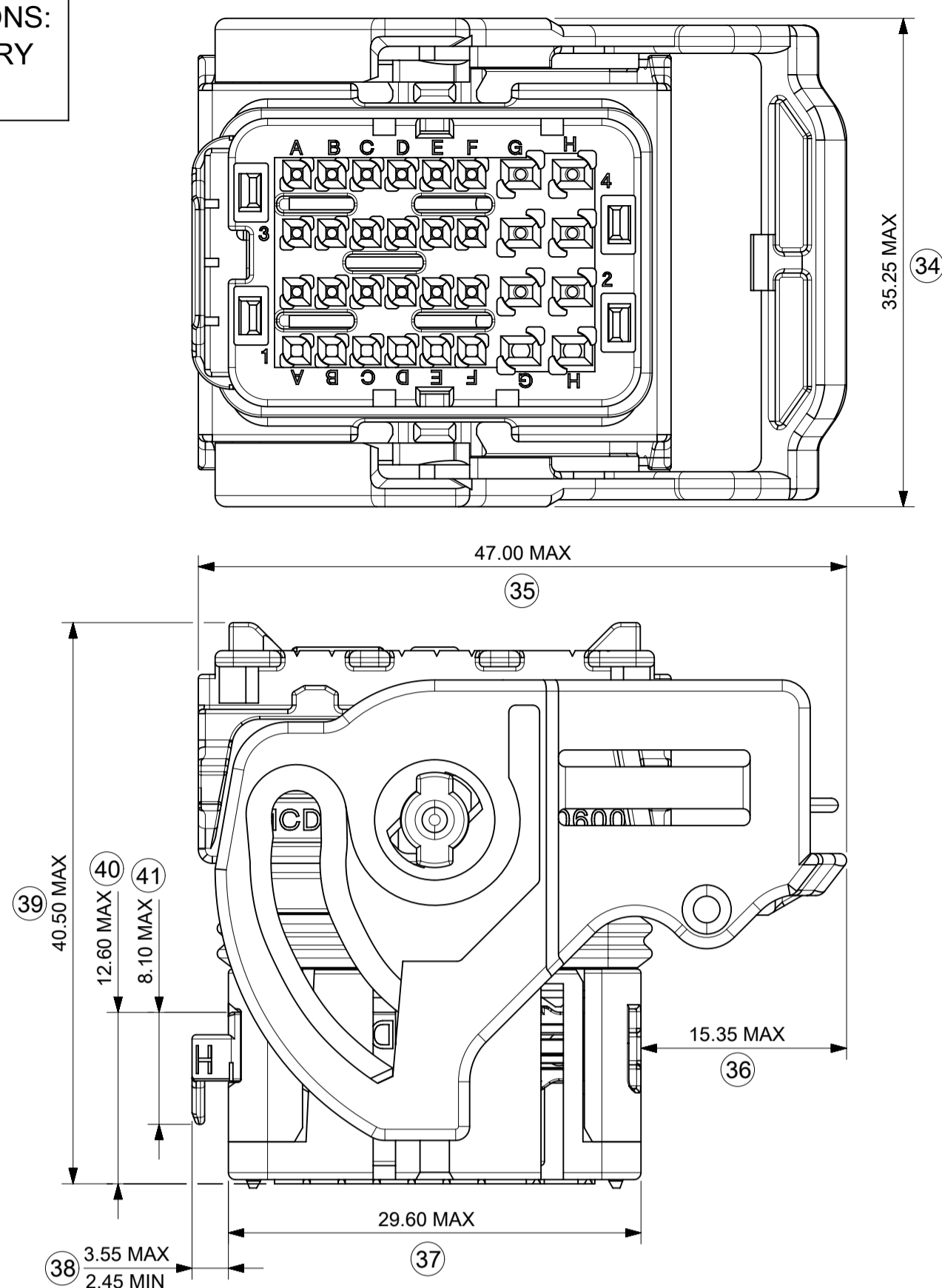
CONNECTOR OVERALL DIMENSIONS:  
SECONDARY LOCKING FULLY OPENED  
FOR TERMINALS INSERTION

RIGHT WIRE OUTPUT

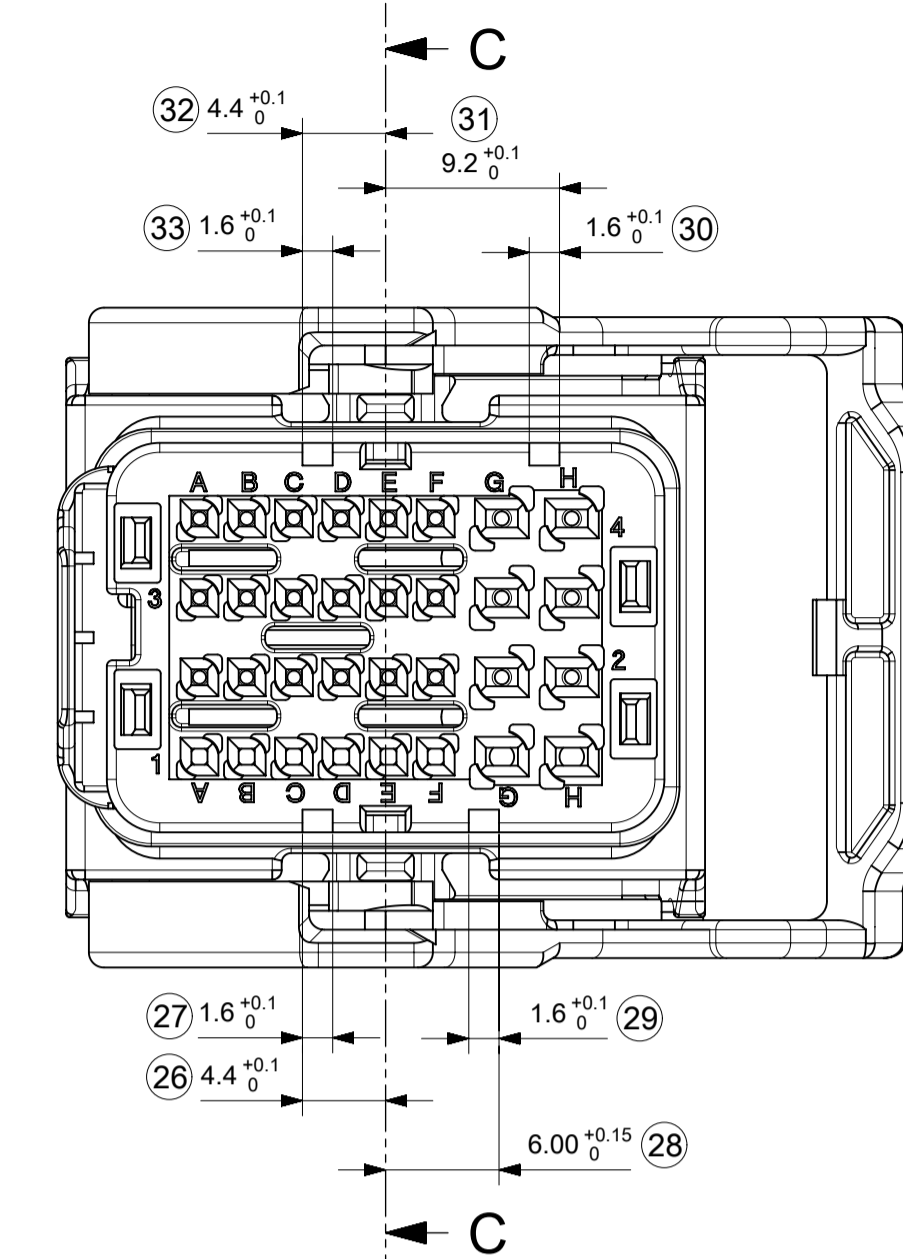


CONNECTOR OVERALL DIMENSIONS:  
SECONDARY LOCKING IN DELIVERY  
POSITION

RIGHT WIRE OUTPUT

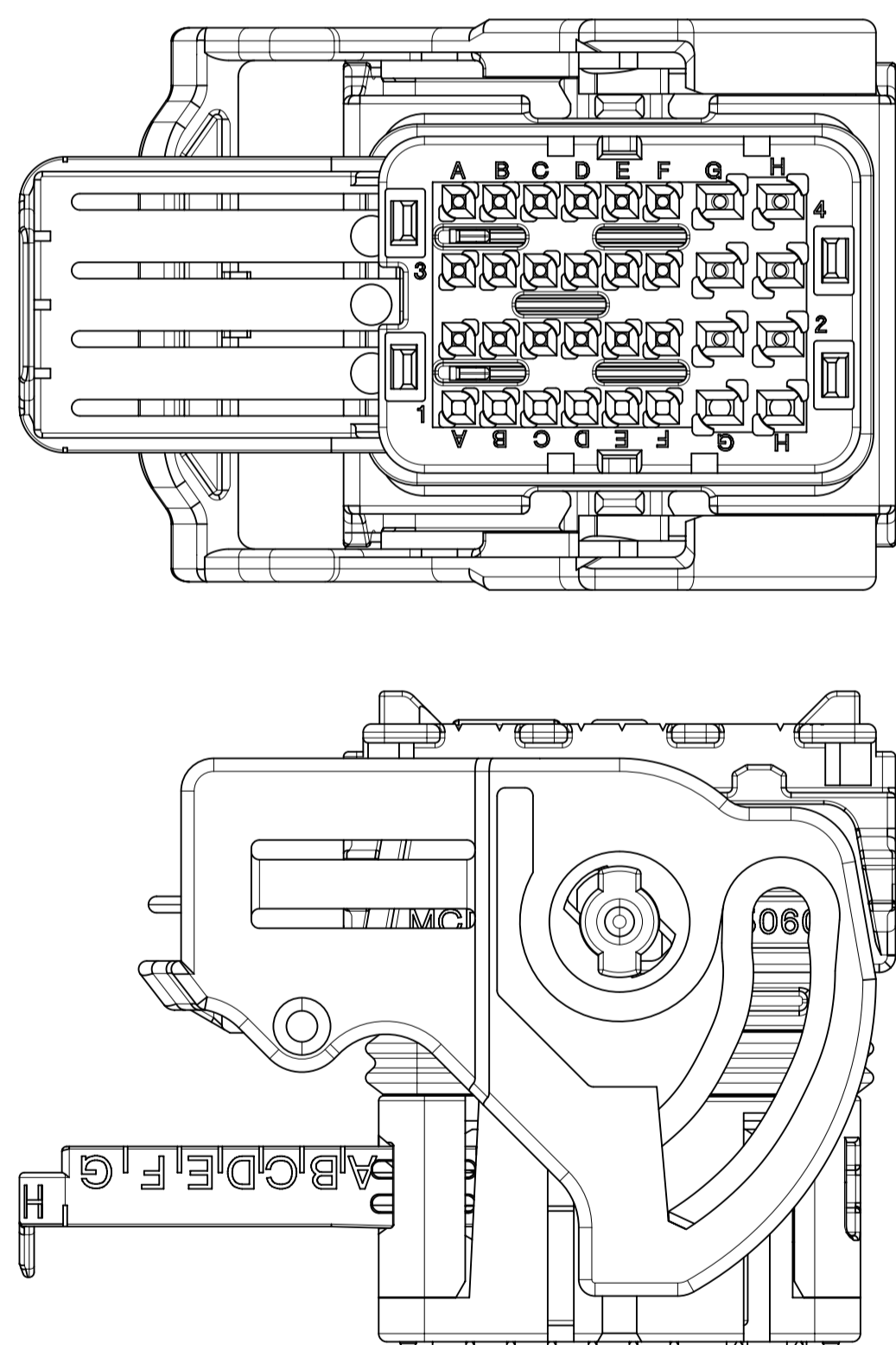


CODING POSITION



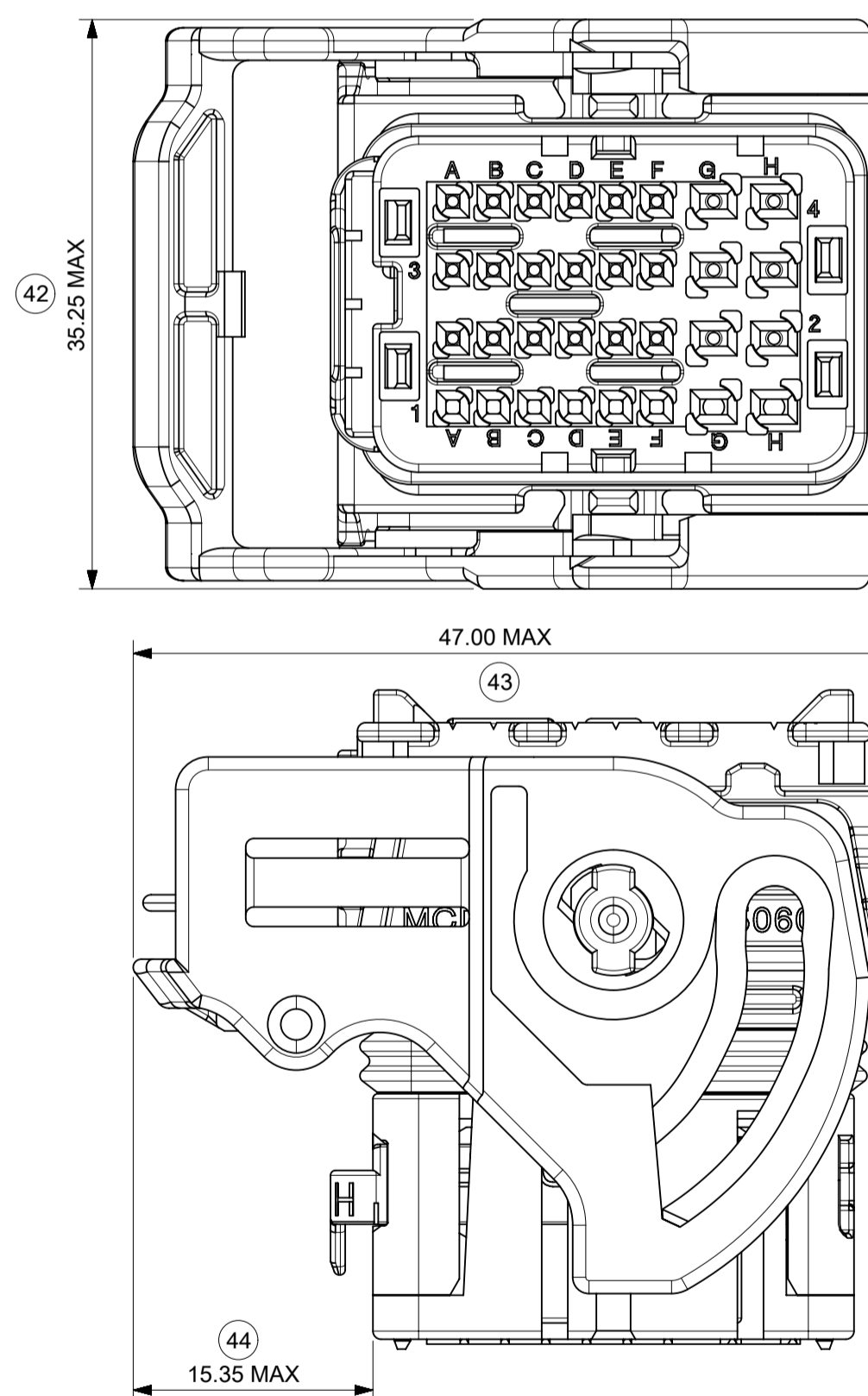
CONNECTOR OVERALL DIMENSIONS:  
SECONDARY LOCKING FULLY OPENED  
FOR TERMINALS INSERTION

LEFT WIRE OUTPUT

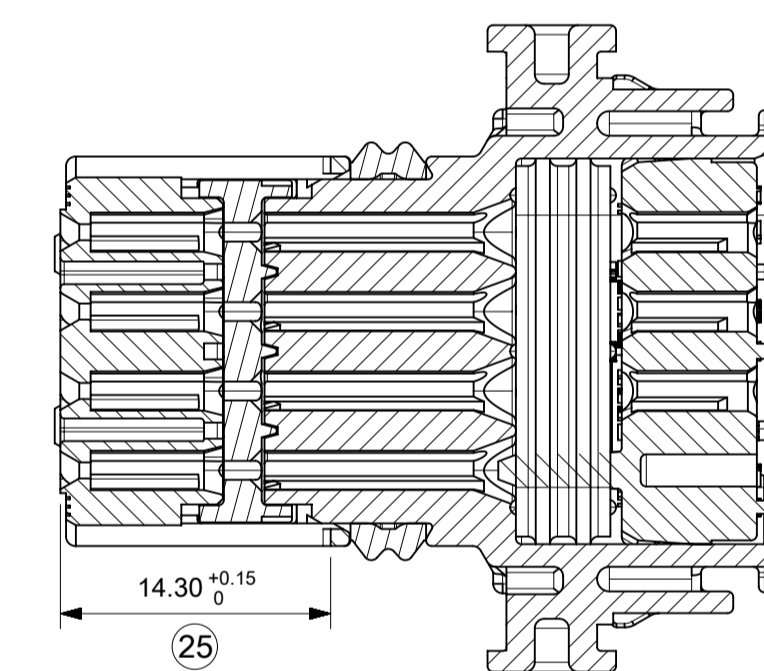


CONNECTOR OVERALL DIMENSIONS:  
SECONDARY LOCKING IN DELIVERY  
POSITION

LEFT WIRE OUTPUT



SECTION C-C  
LOCKING LEVER NOT SHOWN



TERMINALS USED				
CAVITY N°	FEMALE TERMINALS (Section mm2)	PLATING	MOLEX P/N	min / MAX WIRE INSULATION DIAMETER (mm)
A2 to A4 B2 to B4 C2 to C4 D2 to D4 E2 to E4 F2 to F4	CP 0.6 0.35mm2	Tin plated	0643221019	∅1.25 min / ∅1.40 Max
		Gold plated	0643221229	
	CP 0.6 0.5mm2	Tin plated	0643221039	∅1.40 min / ∅1.70 Max
		Gold plated	0643221239	
G2 to G4 H2 to H4	CP 0.6 0.75mm2	Tin plated	0643221029	∅1.60 min / ∅1.90 Max
		Gold plated	0643221219	
	CP 1.5 0.5mm2 to 1mm2	Tin plated	0643231029	∅1.40 min / ∅2.15 Max
		Gold plated	0643231319	
	CP 1.5 >1mm2 to 2mm2	Tin plated	0643231039	∅2.10 min / ∅2.80 Max
		Gold plated	0643231219	

THIS DRAWING CONTAINS INFORMATION THAT IS PROPRIETARY TO MOLEX ELECTRONIC TECHNOLOGIES, LLC AND SHOULD NOT BE USED WITHOUT WRITTEN PERMISSION

DIMENSION UNITS: mm  
SCALE: 2.5:1

GENERAL TOLERANCES (UNLESS SPECIFIED)

ANGULAR TOL ± 2.0°  
4 PLACES ±  
3 PLACES ±  
2 PLACES ± 0.1  
1 PLACE ± 0.1  
0 PLACES ±

DRAFT WHERE APPLICABLE MUST REMAIN WITHIN DIMENSIONS

CURRENT REV DESC: NX RE-MASTERING

EC NO: 625008  
DRWN: PBOSQUAIN 2019/09/11  
CHK'D: CBOUCHAN 2019/10/02  
APPR: SLAFAURE 2019/10/07  
INITIAL REVISION:  
DRWN: PBOSQUAIN 2019/09/11  
APPR: SLAFAURE 2019/10/07

FIRST ANGLE PROJECTION  
DRAWING: A1-SIZE  
SERIES: 64319

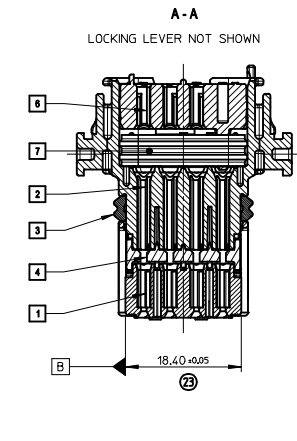
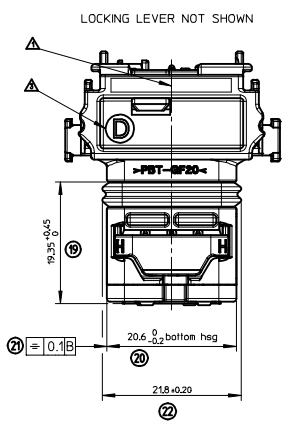
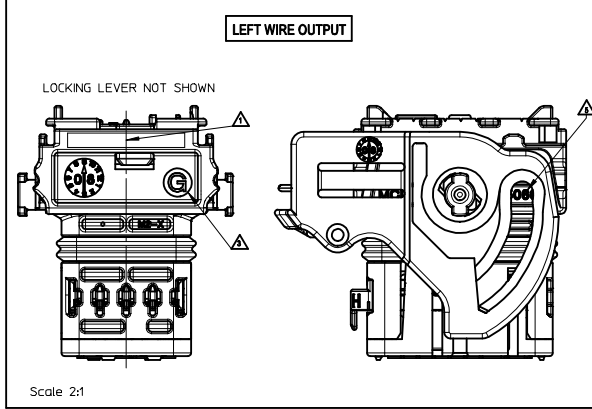
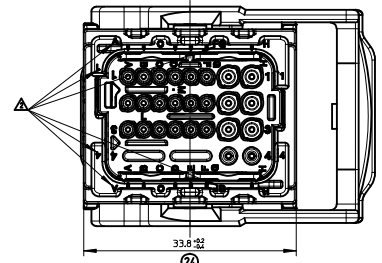
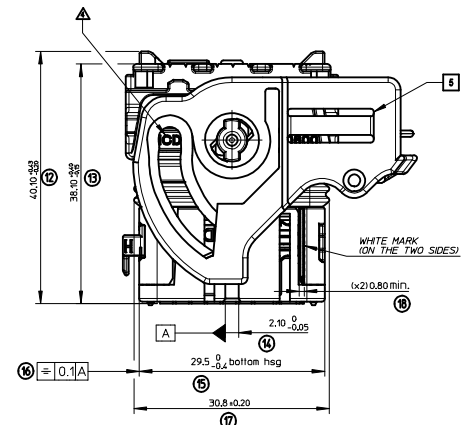
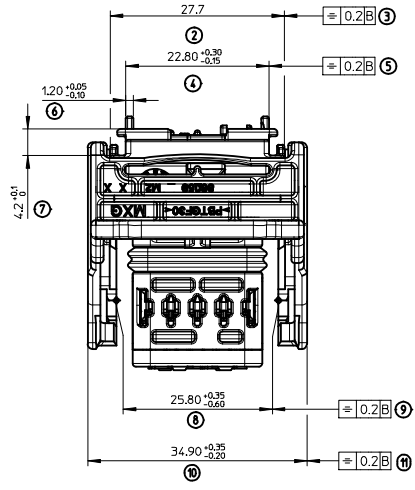
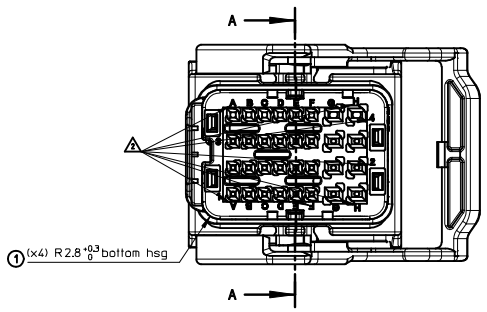
**molex**

CMC CONNECTOR 24 WAY  
MAT SEAL VERSION

PRODUCT CUSTOMER DRAWING

DOCUMENT NUMBER: 643190003  
DOC TYPE: PSD  
DOC PART: 000  
REVISION: A

MATERIAL NUMBER: SEE TABLE  
CUSTOMER: GENERAL MARKET  
SHEET NUMBER: 2 OF 2



**LEFT WIRE OUTPUT**

LOCKING LEVER NOT SHOWN

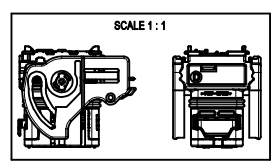
Scale 2:1

**LINE N°1 CLOSED  
YELLOW BACK GRID VERSION**

LEFT WIRE OUTPUT		RIGHT WIRE OUTPUT	
MATERIAL NUMBER	COLOR	MATERIAL NUMBER	COLOR
0643192211	BLACK	0643194211	BLACK

**LINE N°4 CLOSED  
GREEN BACK GRID VERSION**

LEFT WIRE OUTPUT		RIGHT WIRE OUTPUT	
MATERIAL NUMBER	COLOR	MATERIAL NUMBER	COLOR
0643192218	GREY	0643194218	GREY



**NOTES:**

- FOR ILLUSTRATION PURPOSE THE FEMALE HOUSING SHOWN IS THE RIGHT WIRE OUTPUT VERSION (CODING 1)
- APPLICATION SPECIFICATION: AS-64319-002
- WIRES EXTERNAL DIAMETER USED:  
FOR CP0.6 TERMINAL: USE WIRES WITH AN EXTERNAL DIAMETER BETWEEN Ø1.25MM MIN AND Ø1.90MM MAX  
FOR CP1.5 TERMINAL: USE WIRES WITH AN EXTERNAL DIAMETER BETWEEN Ø1.40MM MIN AND Ø2.80MM MAX
- THE CONNECTOR FITS WITH WIRE CAP (32 WAY) MOLEX P/N 0643191201
- BLIND PLUG FOR 0.6 AND 1.5 CAVITIES (MOLEX P/N 0643251010 AND 0643251023) MUST BE USED ON THIS PART.
- DELIVERED PRODUCT WEIGHT: 27.6 g

POB	DESIGNATION	MATERIAL	COLOR
7	MAT SEAL	Silicon	RED
8	BACK GRID 24W	>PBT-GF20<	COLOR LINKED TO LINE CLOSED
9	LOCKING LEVER 32W	>PBT-GF30<	BLACK
4	SECONDARY LOCK	>PBT-GF20<	GREEN
5	PERIPHERAL SEAL 32W	Silicon	BLUE
2	BACK PART	>PBT-GF20<	BLACK
1	FRONT PART	>PBT-GF20<	COLOR LINKED TO KEYING

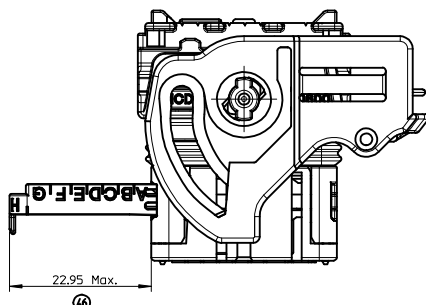
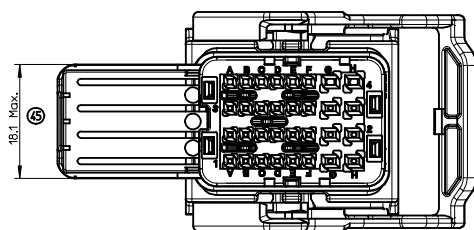
**MARKINGS :**

- ▲ - Assembled part tracability: Day + Year
- ▲ - Terminal cavities identification
- ▲ - Lever position indicator: 'D' LETTER VISIBLE = part with "LEVER ON THE RIGHT" 'G' LETTER VISIBLE = part with "LEVER ON THE LEFT"
- ▲ - Supplier identification
- ▲ - Material identification

REVISED EC NO: G2017-0100 MDRWINGESBRIELLES 2017/05/15 CHYKDCBOUCHAN 2017/05/15 APPR.SL.AFAURE 2017/08/01 REVISIONS DESCRIPTION	QUALITY SYMBOLS 4 PLACES ± --- ± --- 3 PLACES ± --- ± --- 2 PLACES ± 0.1 ± --- 1 PLACE ± 0.1 ± --- 0 PLACE ± --- ± ---	GENERAL TOLERANCES (UNLESS SPECIFIED) mm INCH ANGULAR ± 2 ° DRAFT WHERE APPLICABLE MUST REMAIN WITHIN DIMENSIONS	DIMENSION STYLE MM ONLY DRAWN BY DATE T. BADAROUX 2008/05/23 CHECKED BY DATE P. GRANDCLAUD 2008/05/23 APPROVED BY DATE C. BOUCHAN 2008/05/23	SCALE 2.5:1 DESIGN UNITS METRIC FIRST ANGLE PROJECTION	TITLE CMC CONNECTOR 24 WAY MAT SEAL VERSION GENERIC	MATERIAL NO. SEE CHART DOCUMENT NO. SD-64319-003	SHEET NO. 1 OF 2
	THIS DRAWING CONTAINS INFORMATION THAT IS PROPRIETARY TO MOLEX INCORPORATED AND SHOULD NOT BE USED WITHOUT WRITTEN PERMISSION						
	TO: Frame_A1_P_AM_F Rev. G 2012/01/11						

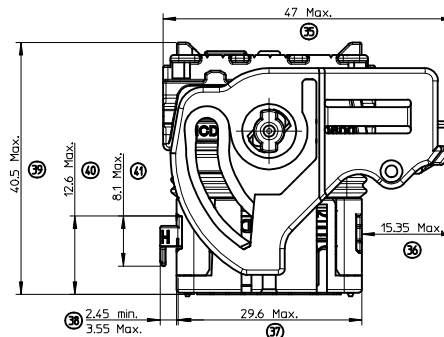
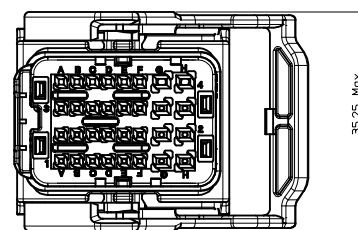
CONNECTOR OVERALL DIMENSIONS:  
SECONDARY LOCKING FULLY OPENED  
FOR TERMINALS INSERTION

RIGHT WIRE OUTPUT

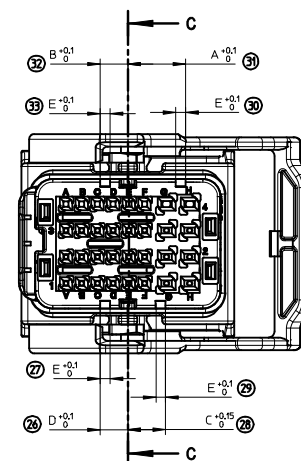


CONNECTOR OVERALL DIMENSIONS:  
SECONDARY LOCKING IN DELIVERY  
POSITION

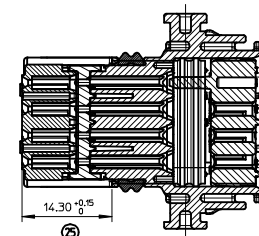
RIGHT WIRE OUTPUT



CODING POSITION



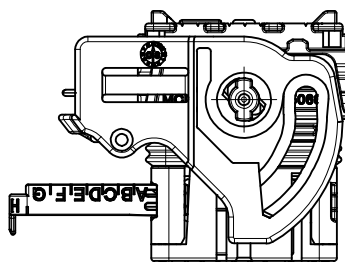
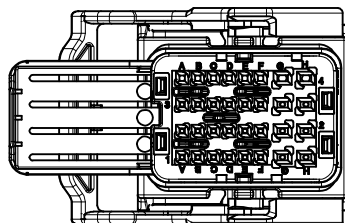
C - C  
LOCKING LEVER NOT SHOWN



COLOR	CODING	A	B	C	D	E
BLACK	1	9.2	4.4	6	4.4	1.6
GREY	2	7.6	6	9.2	6	1.6
BROWN	3	6	7.6	9.2	9.2	1.6
BLUE	5	4.4	7.6	6	6	1.6

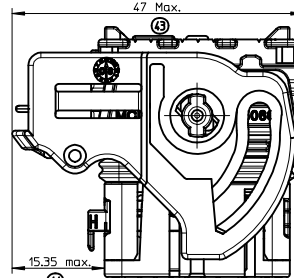
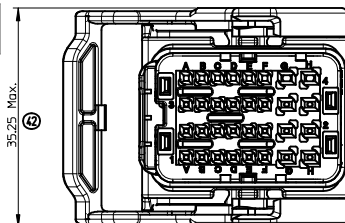
CONNECTOR OVERALL DIMENSIONS:  
SECONDARY LOCKING FULLY OPENED  
FOR TERMINALS INSERTION

LEFT WIRE OUTPUT



CONNECTOR OVERALL DIMENSIONS:  
SECONDARY LOCKING IN DELIVERY  
POSITION

LEFT WIRE OUTPUT



TERMINALS USED

CAVITY #	FEMALE TERMINALS (Section mm2)	PLATING	MOLEX P/N	min / MAX WIRE INSULATION DIAMETER (mm)
A1 to F1 A2 to F2 A3 to F3 A4 to F4	CP 0.6 0.35mm2	Tin plated	0643221019	Ø1.25 min / Ø1.40 Max
		Gold plated	0643221229	
	CP 0.6 0.5mm2	Tin plated	0643221039	Ø1.40 min / Ø1.70 Max
		Gold plated	0643221239	
G1 to H4 G1 to H4	CP 0.6 0.75mm2	Tin plated	0643221029	Ø1.60 min / Ø1.90 Max
		Gold plated	0643221219	
	CP 1.5 0.5mm2 to 1mm2	Tin plated	0643231029	Ø1.40 min / Ø2.15 Max
		Gold plated	0643231319	
CP 1.5 >1mm2 to 2mm2	Tin plated	0643231039	Ø2.10 min / Ø2.80 Max	
	Gold plated	0643231219		

REVISED E.C. NO: G2017-0100 DRAWING DES BREVETES 2017/05/15 CHK'D: C. BOUCHAN 2017/05/15 APPR: S. LAURE 2017/08/01 REV DESCRIPTION	QUALITY SYMBOLS 	GENERAL TOLERANCES (UNLESS SPECIFIED)		DIMENSION STYLE MM ONLY		SCALE 2.5:1	DESIGN UNITS METRIC	FIRST ANGLE PROJECTION		
		4 PLACES ± --- ± ---	3 PLACES ± --- ± ---	2 PLACES ± 0.1 ± ---	1 PLACE ± 0.1 ± ---	0 PLACE ± --- ± ---	DRAWN BY T. BADAROUX	DATE 2008/05/23	TITLE CMC CONNECTOR 24 WAY MAT SEAL VERSION GENERIC	
		ANGULAR ± 2 °		DRAFT WHERE APPLICABLE MUST REMAIN WITHIN DIMENSIONS		SEE SHEET 1		DOCUMENT NO. SD-64319-003		SHEET NO. 2 OF 2
		THIS DRAWING CONTAINS INFORMATION THAT IS PROPRIETARY TO MOLEX INCORPORATED AND SHOULD NOT BE USED WITHOUT WRITTEN PERMISSION								