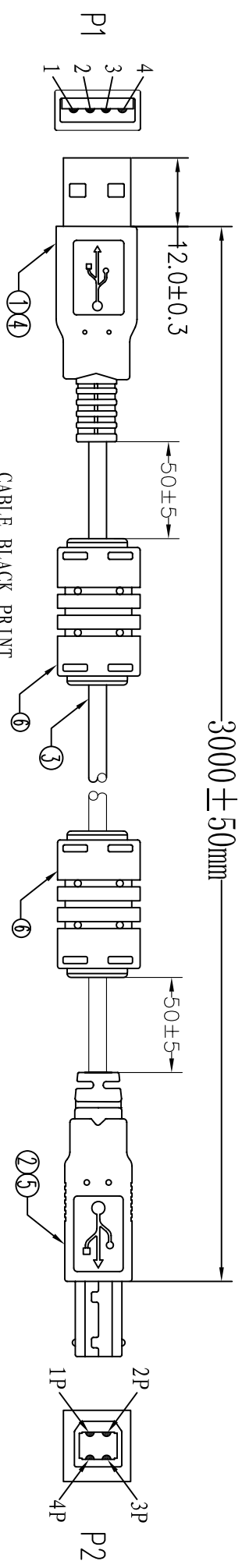
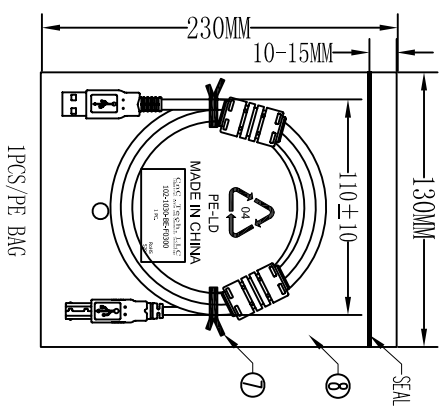
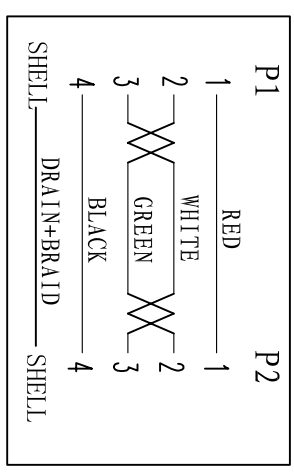


UNIT:mm



CABLE BLACK PRINT
 HI-SPEED USB Revision 2.0 SHIELDED 28AWG/1P+24AWG/2C
 E189529 AWM STYLE 2725 80° C 30V VW-1 VEGA TECH

PIN ASSIGNMENT :



Electrical test:
 1. 100% short, open, miswire test
 2. Conduct resistance: 2 Ohm(max)
 3. Insulation resistance: 10Mohm(min)
 4. dielectric test: DC 300V

| | | | |
|-----|------------|------|--|
| ⑨ | PE BAG | 1/10 | CLEAR SIZE:280*330*0.05mm PRINT BLACK"MADE IN CHINA"+"10PCS". |
| ⑧ | PE BAG | 1 | CLEAR SIZE:130*230*0.05mm PRINT BLACK"MADE IN CHINA"+"1PC". |
| ⑦ | TIE | 2 | WHITE L=100mm |
| ⑥ | OUT JACKET | 18g | BEIGE 45P PVC (MOULD NO:CH003) |
| | FERRITE | 2 | CORE OD12*5.6*L20 BLACK |
| ⑤ | OUT JACKET | 6g | BEIGE(V-29#) PVC-40P (MOULD NO:WM-65) |
| ④ | OUT JACKET | 6g | BEIGE(V-29#) PVC-40P (MOULD NO:WM-40) |
| ③ | CABLE | 1 | BEIGE(V-29#) USB2.0 UL2725 28#/1P+24# /2C+AEB OD:4.7mm L=3000±15mm |
| ② | CONN | 1set | USB2.0 B MALE SHELL:NICKEL PIN G/F 3PCS TYPE INSULATOR COLOR:WHITE |
| ① | CONN | 1set | USB2.0 A MALE SHELL:NICKEL PIN G/F 3PCS TYPE INSULATOR COLOR:WHITE |
| NO. | NAME | QTY | SPECIFICATION |

| | | | |
|---|---------|------------|-------------------|
| CNC Tech, LLC | | | |
| Industrial Cable and Connector Technology | | | |
| DRAWN | ZHONGHS | DRAWING NO | |
| CHECKED | | CUSTOMER | |
| APPROVAL | | ITEM NO. | 102-1030-BE-F0300 |
| DECIDED | | DATE | 2012-02-14 |
| VERSIONS/EDITION | A/0 | PROJECTION | |

4 3 2 1