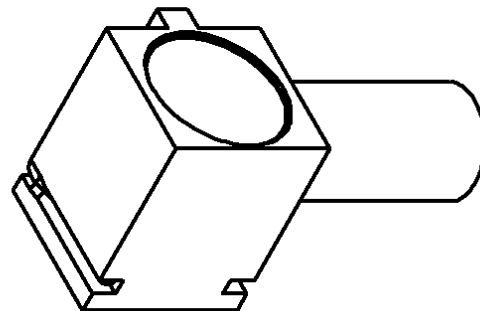
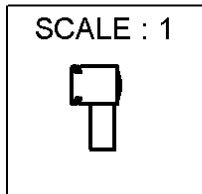
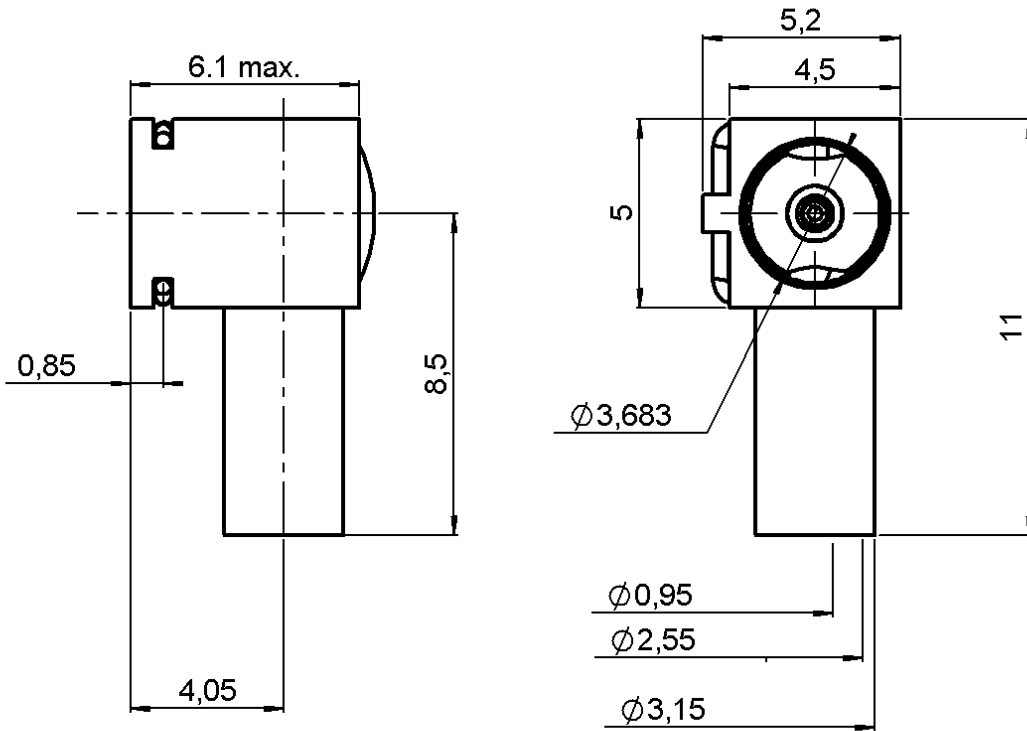


FEMALE RIGHT ANGLE PLUG-CRIMP TYPE CABLE

R210.160.020

2/50S

Series : MMT



All dimensions are in mm.

COMPONENTS	MATERIALS	PLATINGS (µm)
BODY	BRASS	NICKEL 2
CENTER CONTACT	BERYLLIUM COPPER	NICKEL 2 + GOLD 0.5
OUTER CONTACT	BRASS	NICKEL 2
INSULATOR	PTFE	
GASKET		
OTHERS PARTS	BRASS	NICKEL .
-	-	-
-	-	-

Issue : 0344 B

In the effort to improve our products, we reserve the right to make changes judged to be necessary.



FEMALE RIGHT ANGLE PLUG-CRIMP TYPE CABLE

R210.160.020

2/50S

Series : MMT

PACKAGING

Standard	Unit	Other
100R	'W' option	Contact us

SPECIFICATION

ELECTRICAL CHARACTERISTICS

Impedance		50 Ω
Frequency		0-8 GHz
VSWR	1.1 +	0.050 x F(GHz) Maxi
Insertion loss		0.2 √F(GHz) dB Maxi
RF leakage	- (NA - F(GHz)) dB Maxi
Voltage rating		170 Veff Maxi
Dielectric withstanding voltage		500 Veff mini
Insulation resistance		5000 MΩ mini

CABLE ASSEMBLY

Stripping	a	b	c	d	e	f
mm	3.00	5.00	9.00	0.00	6.00	0.00

Assembly instruction :

Recommended cable(s)
RG 178

Cable retention

- pull off **20** N mini
- torque **NA** N.cm

MECHANICAL CHARACTERISTICS

Center contact retention		
Axial force – Mating end	8	N mini
Axial force – Opposite end	NA	N mini
Torque	NA	N.cm mini

TOOLING

Part Number	Description	Hexagon
.	.	.
R282.211.000	CRIMPING TOOL	2.67
R282.868.040	EXTRACTING TOOL TYPE MMT	

Recommended torque		
Mating	NA	N.cm
Panel nut	NA	N.cm
Clamp nut	NA	N.cm
A/F clamp nut	0.000	mm

OTHERS CHARACTERISTICS

accouplt : 18Nmax / desacc. : 7Nmin

Mating life	500	Cycles mini
Weight	0.950	g

ENVIRONMENTAL

Operating temperature	-55/100	° C
Hermetic seal	NA	Atm.cm3/s
Panel leakage	NA	

Issue : 0344 B

In the effort to improve our products, we reserve the right to make changes judged to be necessary.



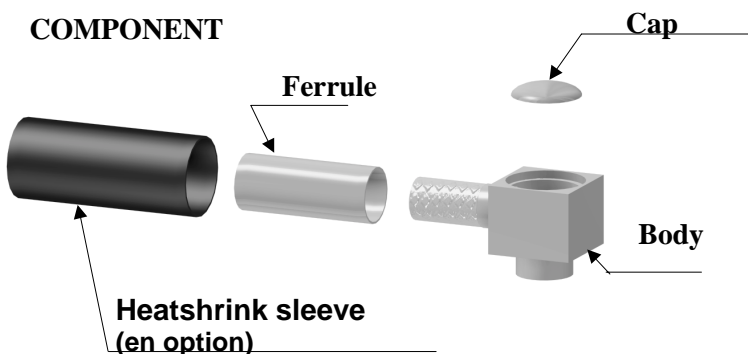
FEMALE RIGHT ANGLE PLUG-CRIMP TYPE CABLE

R210.160.020

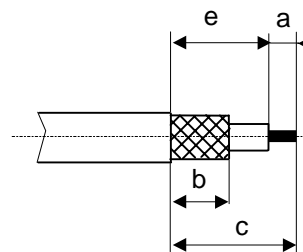
2/50S

Series : MMT

COMPONENT

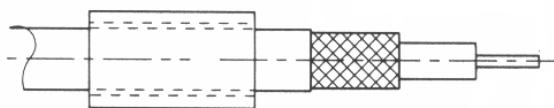


STRIPPING DIMENSIONS



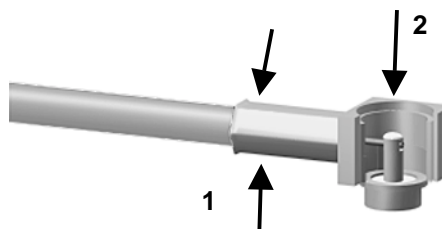
1

To slide the ferrule onto the cable.
Cable stripping.



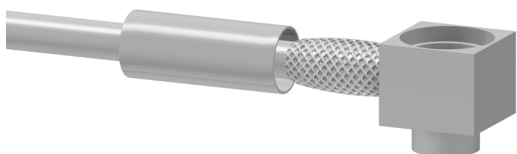
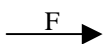
3

To crimp the ferrule crimping tool R282 211 000.
Solder inner conductor onto the pin.



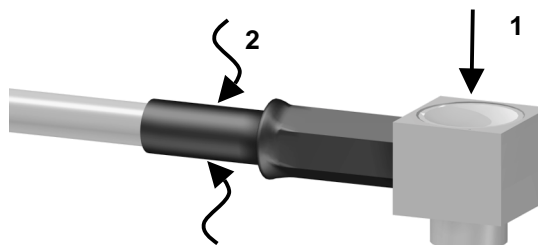
2

To open the braid.
To slide body under braid.
Introduce the cable into the connector body until the body shoulder
To slide the ferrule on braid according to F direction.



4

Press on the cap.
Slide the sleeve over the ferrule and heatshrink
It in place (OPTION)



Issue : 0344 B

In the effort to improve our products, we reserve the right to make changes judged to be necessary.

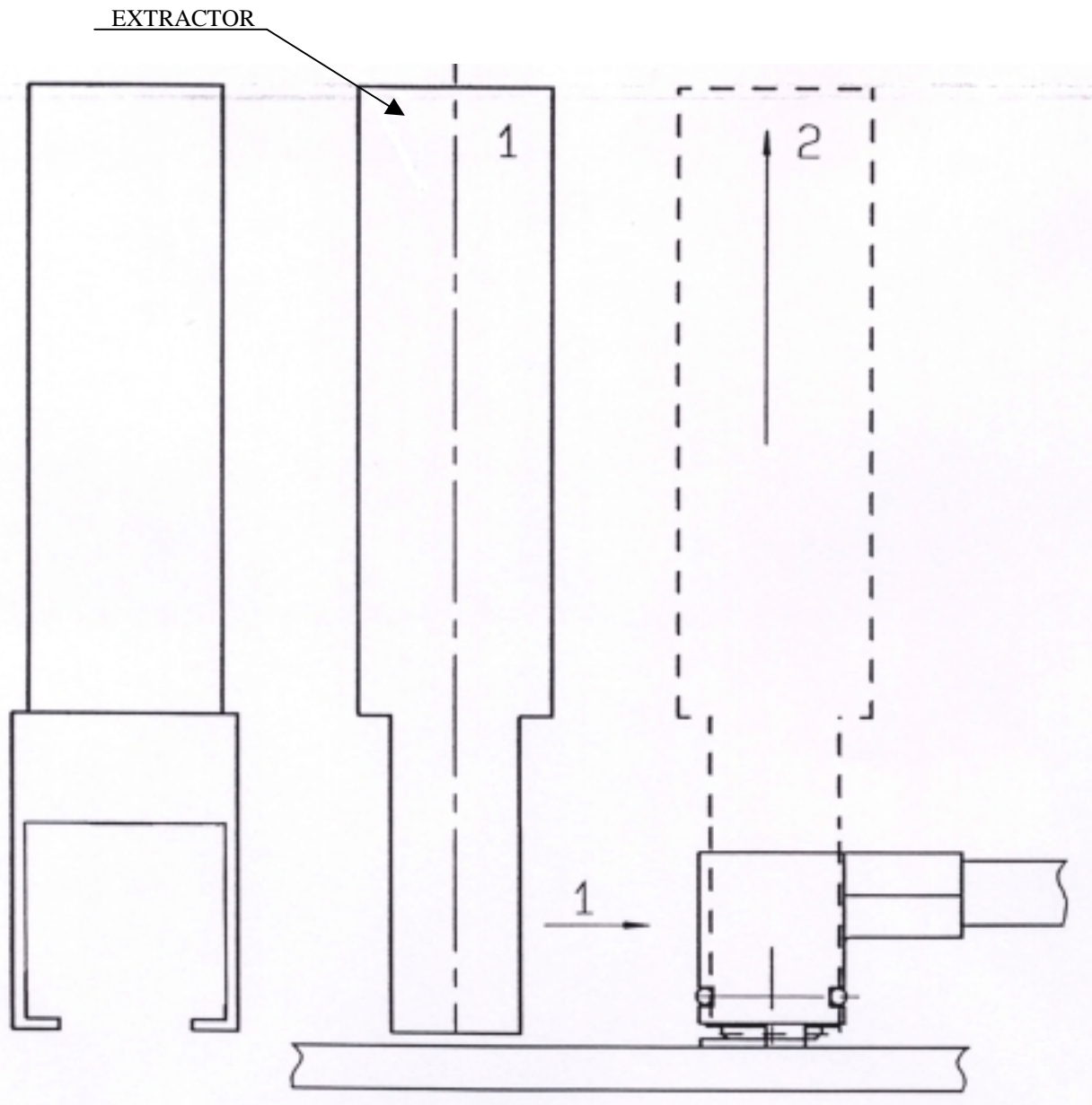


FEMALE RIGHT ANGLE PLUG-CRIMP TYPE CABLE**R210.160.020****2/50S**

Series : MMT

A SPECIAL TOOL MUST BE USED TO REMOVE THE RIGHT ANGLE MMT PLUG FROM THE SMT RECEPTACLE.

- 1- INSERT THE TOOL UNDER THE RIGHT ANGLE MMT PLUG AS SHOWN.
- 2- PULL OFF IN THE VERTICAL DIRECTION TO EXTRACT THE RIGHT ANGLE MMT PLUG.

**Issue : 0344 B**

In the effort to improve our products, we reserve the right to make changes judged to be necessary.

