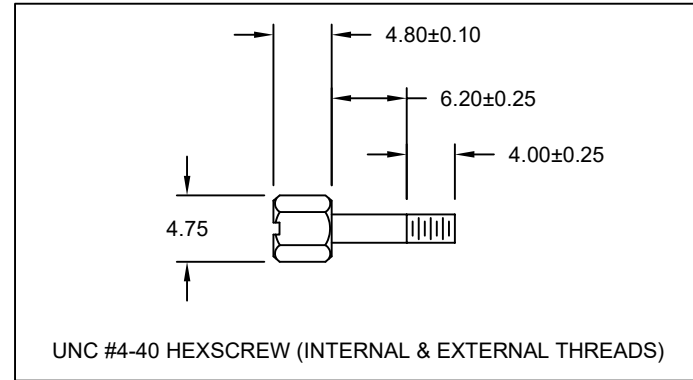
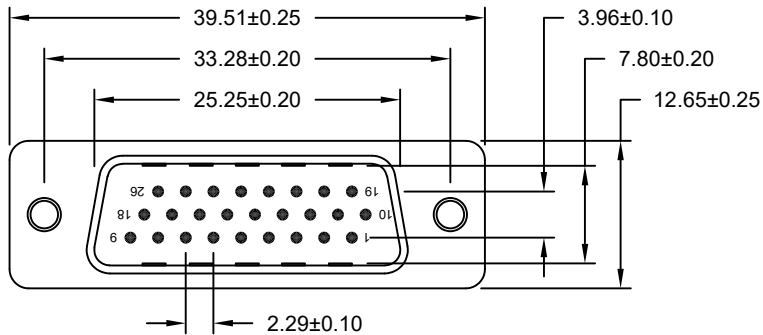
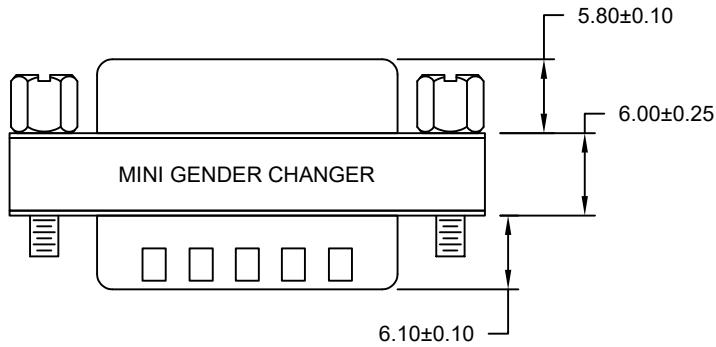
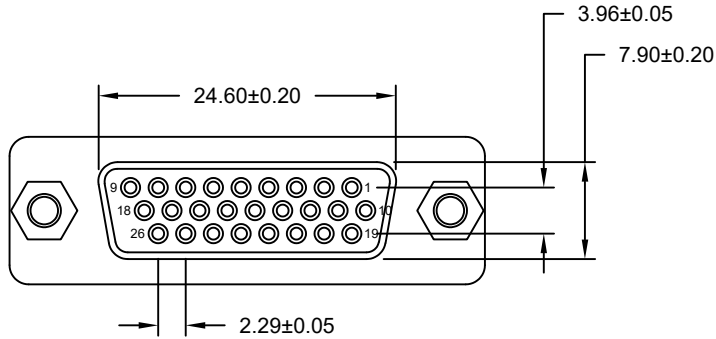


**SPECIFICATION:**

INSULATOR: PBT, UL 94 V-0  
 CONTACT: GOLD PLATED BRASS  
 SHELL: TIN PLATED STEEL  
 CURRENT RATING: 3 AMP  
 DIELECTRIC STRENGTH: 1,000VAC FOR 1 MINUTE  
 INSULATION RESISTANCE: 1,000 MOHMS MIN @500 VDC  
 TEMPERATURE: -55° C - +105° C

**NOTE:**

LABEL: YELLOW COLOR WITH BLACK CHARACTERS  
 SIDE 1: MINI GENDER CHANGER  
 SIDE 2: U.S.A. PATENT 5199906



26-PIN MALE	26-PIN FEMALE
1	1
2	2
3	3
~	
25	25
26	26
SHELL	SHELL

PIN OUT

RoHS COMPLIANT

UNITS = mm

DO NOT SCALE FROM DRAWING



THESE DRAWINGS AND SPECIFICATIONS ARE THE PROPERTY OF NorComp AND SHALL NOT BE REPRODUCED, COPIED OR USED AS THE BASIS FOR THE MANUFACTURE OR SALE OF APPARATUS WITHOUT WRITTEN PERMISSION.

DRAWN:  
C. SMITH

DATE:  
10/15/2007

NorComp

SCALE:  
NTS

SHEET 1 OF 1

REV 2

DWG NO.

GCHDLP26M26F