

# MICRO SWITCH

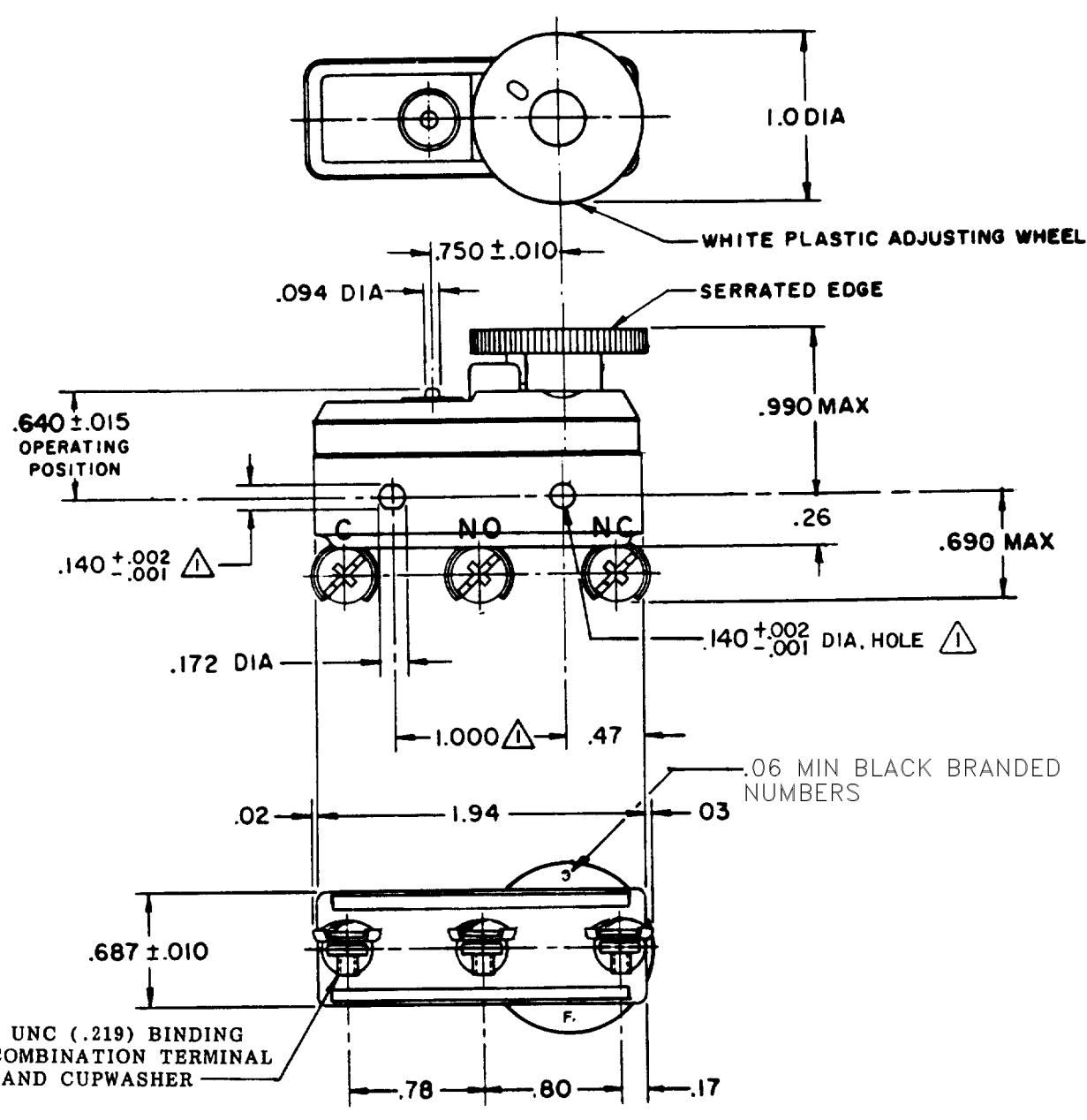
FREERPORT ILLINOIS, U.S.A.  
A DIVISION OF HONEYWELL  
FED. MFG. CODE 91929

# SWITCH - BASIC

CATALOG LISTING

## 10BS217

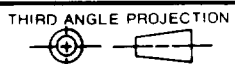
FORMTEK  
 DRAWN  
 K SW 7 JAN 76  
 CHECK USD  
 8 JAN 76  
 CHECK  
 REVISIONS  
 A C080053  
 JALA  
 5 APR 95  
 ISSUE  
 7  
 DRAWING NUMBER  
 M  
 10BS217  
 REPLACES  
 PR - 5433  
 RELEASE NO.



3X 8-32 UNC (.219) BINDING HEAD COMBINATION TERMINAL SCREW AND CUPWASHER

**NOTE -**  
 ▲ MOUNTING HOLES WILL ACCEPT PINS OR SCREWS OF .139 MAX ON  $1.000 \pm .002$  CENTERS  
 2 - DIAL WHEEL IS SHOWN AT THE MAX SETTING OF BREAK DISTANCE  
 3 - DIAL WHEEL ROTATION  $300^\circ$

THIS DRAWING COVERS A PROPRIETARY ITEM AND IS THE PROPERTY OF MICRO SWITCH, A DIVISION OF HONEYWELL. THIS DRAWING IS NOT TO BE COPIED OR USED WITHOUT THE APPROVAL OF MICRO SWITCH.



CHARACTERISTICS	
AT MIN SETTING	
OPERATING FORCE	----- 11-20 OZ
RELEASE FORCE	----- 10 OZ MIN
DIFFERENTIAL TRAVEL	----- .0015-.0025
AT MAX SETTING	
DIFFERENTIAL TRAVEL	----- .007 MIN
OVERTRAVEL	----- .010 MIN

ELECTRICAL DATA	
CONTACT ARRANGEMENT S P D T	
L17	
20A 125, 250 OR 480 VAC 3/4 HP 125 VAC, 1 1/2 HP 250 VAC	

SCALE FULL				
DO NOT SCALE PRINT				
TOLERANCES				
APPLY TO DESIGN UNITS. CONVERSIONS ARE ONLY FOR REFERENCE. UNLESS NOTED, TOLERANCES ARE ±				
	DIM. mm	TOL. mm/in	DIM. in	TOL. mm/in
NO PLACES	X	1/64	X X	0.8/0.03
ONE PLACE	X.X	0.4/0.018	X.X X	0.38/0.015
TWO PLACES	X.XX	0.18/0.008	X.XX X	0.13/0.005
THREE PLACES	X.XXX		X.XXX	
ANGLES				
DESIGN UNITS	SI METRIC <input type="checkbox"/>		US CUSTOMARY <input checked="" type="checkbox"/>	
WEIGHT				