

LLN Series Industrial liquid level sensors



Features

- TTL-compatible - 200 mA sinking output
- High degree of sealing - IP67
- Stainless steel housings for long life and ease of cleaning
- Quick-connect, industry-standard cable assembly for easy installation
- Wide operating temperature range (-40 to +125°C)
- Compact optoelectronic design gives accurate, reliable results
- Polysulphone sensor dome suitable for hygiene applications (FDA, UL, CSA and Sanitary Spec 3-A)
- Integrated power regulation

Description

LLN Series industrial liquid level sensors are designed for industrial environments exposed to extremes of temperature, pressure, vibration and shock. Standard devices feature rugged, stainless steel housings and polysulphone domes. Nickel-plated brass housings and polyamide domes are available to special order.

The mode of operation is derived from the principle of total internal reflection (see figure 1). An LED and optoschmitt are housed within a plastic dome at the head of the device. When no liquid is present, all light from the LED is totally internally reflected from the boundary to the optoschmitt. When liquid covers the dome, the effective refractive index at the dome liquid boundary changes, allowing some light from the LED to escape. Thus, the amount of light received by the optoschmitt is reduced and the output switches, denoting the presence of liquid. This method of liquid level sensing is very fast.

Typical applications

- Industrial compressors
- Machine tools
- Material handling
- Processing and packaging equipment
- Heavy-duty automotive

Technical information

Specifications	
Operation mode	User defined single on/off switch
Repeatability (mm)	±1
Hysteresis (mm)	1 (Dependent on liquid)
Response time	Rising liquid level - instantaneous Falling liquid level - 1s max. (in ethanol). Response in other liquids dependent on viscosity
Mechanical	
Mounting	Exterior mounting by 3/8" B.S.P. thread
Installation	Wall or base mounting
Connector	3-pin integral Lumberg/Brad Harrison type connector Pin 1 supply (V_{cc}) Pin 3 0 V Pin 4 output A range of cable/connector assemblies is available
Material	Polysulphone or polyamide dome, stainless steel housing (other materials available on request)
Dimensions	Dome 3,5 mm radius Thread 3/8" B.S.P. Hex 24 mm
Environmental	
Operating temperature (°C)	-40 to +125 (Sensing end only)
Storage temperature (°C)	-50 to +90
Humidity	No effect on operation, dependent upon catalogue listing
Vibration/shock	Qualification tested 100 to 5000 Hz at 30g to B.S.2011 part 2.1
Pressure range (bar)	0 - 25
Ambient light limit (Lux)	20000 at 0,6 m
Electrical	
Supply voltage (V_{cc})	10 to 40 Vdc Reverse voltage protection to 40 Vdc Short circuit protection to 40 Vdc
Supply current	Optoschmitt (I_o) : 8 mA typical LED (I_{LED}) : 15 to 50 mA, dependent upon catalogue listing
Output sink current (I_o)	200 mA max

Ordering information

Catalogue listing	Description
LLN865172-1	Stainless steel housed Polysulphone dome 35 mA LED drive current NPN output, high in air
LLN865172-2	Stainless steel housed Polysulphone dome 35 mA LED drive current NPN output, low in air
LLN865172-4	Stainless steel housed Polysulphone dome 15 mA LED drive current NPN output, high in air
LLN865172-5	Stainless steel housed Polysulphone dome 15 mA LED drive current NPN output, low in air
LLN865172-6	Stainless steel housed Polysulphone dome 50 mA LED drive current NPN output, high in air
LLN865172-7	Stainless steel housed Polysulphone dome 50 mA LED drive current NPN output, low in air
HLC131-020	2 m of cable 3-pin female connector assembly Straight head
HLC231-020	2 m of cable 3-pin female connector assembly Angled head

Note:

In normal operating conditions a sensor with LED drive current of 35 mA should be selected. In situations where extreme bubbling may occur, then the sensors with drive current 15 mA should be selected (i.e. LLN865172-4 and LLN865172-5). Where extreme condensation may be present, then the sensors with drive current 50 mA should be selected. (For assistance on these points see Application Note LL3 or contact local sales office).

Principle - LLN in air

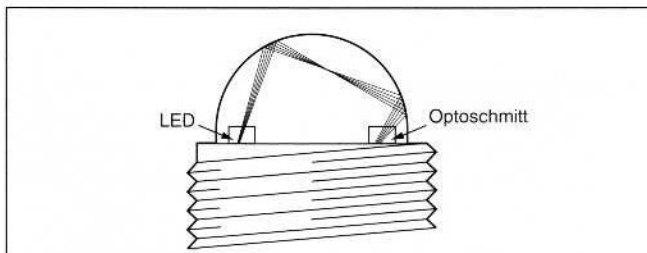


Figure 1

Electrical connections

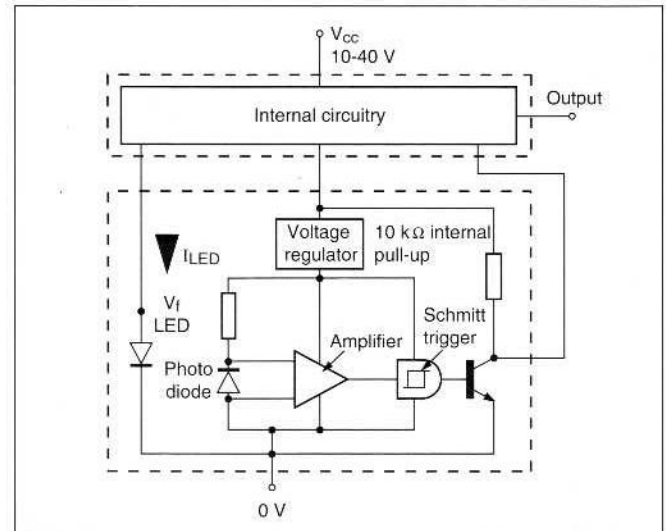


Figure 2

Mounting dimensions (for reference only)

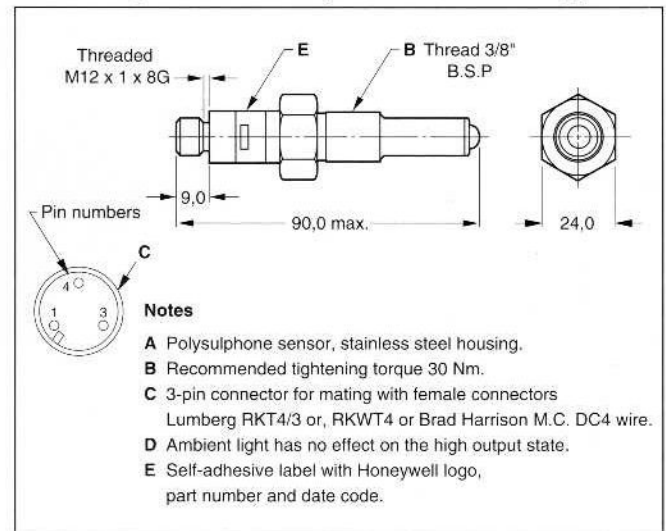


Figure 3

Austria

Honeywell Austria GmbH,
Edelsinnstrasse 7-11,
1121 Wien.
Tel : (0222) 811 010
Telex : 133302 or 132984
Fax : (0222) 811 014

Belgium

Honeywell S.A./N.V.,
Av. de Schiphol/Laan 3,
1140 Bruxelles/Brussel.
Tel : (02) 728 2711
Telex : 22788
Fax : (0) 728 2468

Denmark

Honeywell A/S,
Lyngby Hovedgade 98
2800 Lyngby.
Tel : (45) .93.56.56
Fax : (45) .93.57.80

Finland

Honeywell OY,
Ruukintie 8,
02320 Espoo 32.
Tel : (0) 80 101
Telex : 121229
Fax : (0) 801 1297

France

Honeywell,
4 Avenue Ampère-Montigny,
78886 St. Quentin-en-Yvelines
Cedex.
Tel : (01) 30588000
Telex : 695513
Fax : (01) 30443064

Germany

Honeywell GmbH,
Kaiserleistrasse 39,
6050 Offenbach/Main.
Tel : (069) 80 640
Telex : 4152758
Fax : (069) 818 620

Italy

Honeywell S.p.A.,
Via Vittor Pisani 13,
20124 Milano.
Tel : (02) 67 731
Telex : 311092
Fax : (02) 677 3208

The Netherlands

Honeywell B.V.,
Laarderhoogtweg 18,
1101 EA Amsterdam Z.O.
Tel : (020) 565 69 11
Telex : 14257
Fax : (020) 565 66 00

Norway

Honeywell A/S,
Askerveien 61,
1371 Asker.
Tel : (066) 90 20 30
Telex : 19345
Fax : (066) 78 03 04

Portugal

Honeywell Automacao
E Controlo LDA,
Edificio Suecia II,
Av. do Forte nr. 3 - Piso 3,
Carnaxide,
2795 Linda a Velha.
Tel : (01) 417 2602
Fax : (01) 417 2600

Spain

Honeywell S.A.,
Apartado de Correos 29106
28080 Madrid.
Tel : (91) 320 2112
Telex : 22470
Fax : (91) 320 5389

Sweden

Honeywell A.B.,
Storsåtragränd 5,
12786 Skårholmen.
Tel : (08) 775 5500
Telex : 10673
Fax : (08) 775 5600

Switzerland

Honeywell A.G.,
Hertistrasse 2,
8304 Wallisellen.
Tel : (1) 939 25 26
Fax : (1) 831 03 14

United Kingdom

Honeywell Control Systems Ltd.,
Honeywell House,
Charles Square,
Bracknell,
Berkshire, RG12 1EB.
Tel : (0344) 424 555
Telex : 847064
Fax : (0344) 416 015

Eastern Europe

Please contact Honeywell
Austria

**Mediterranean Basin,
Middle East & Africa**

Honeywell International,
Management S.p.A.,
Via Volta 16,
20093 Cologno Monzese,
Milano, Italy.
Tel : (02) 273 211
Telex : 324044
Fax : (02) 273 21 240 or 250
(including Yugoslavia)

Asia Pacific Region

Honeywell Asia Pacific Inc.,
30F Suite 3001 Office Tower,
Convention Plaza,
1 Harbour Road,
Wanchai,
Hong Kong.
Tel : 829 8298
Fax : 824 1226

Canada

Honeywell Components Division,
740 Ellesmere Road,
Scarborough, Ontario,
M1P 2Y9.
Tel : (416) 293 8111
Telex: 065 25170
Fax: (416) 297 4217

Note: this publication constitutes no contract between us and our customers and may be changed without notice. Safe installation and operation of our products remain customer's liability. Detailed mounting drawings of all our products illustrated available on request.

© Honeywell 1993

Honeywell

Helping You Control Your World