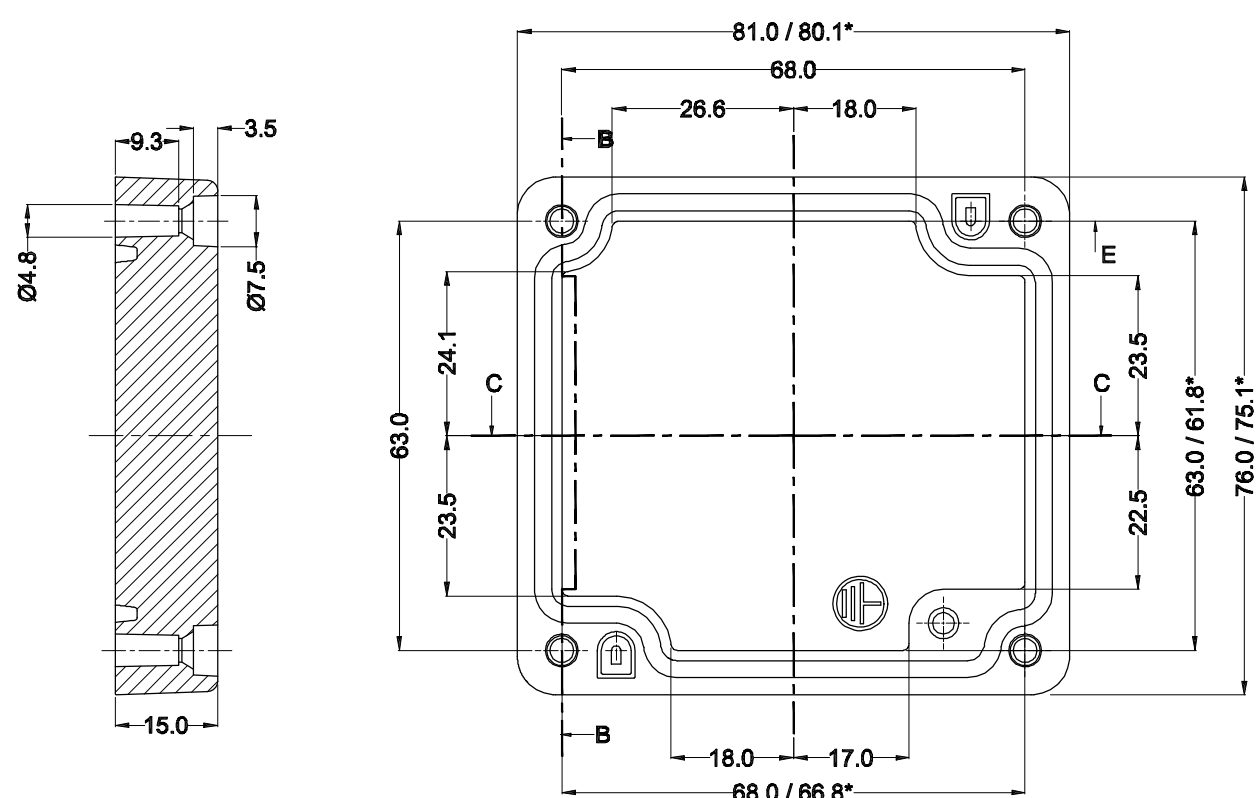
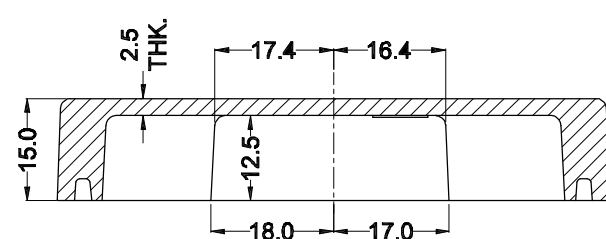


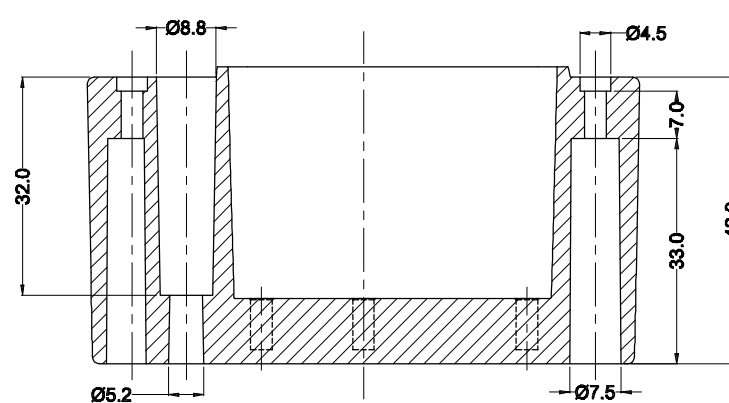
LID



SECTION B-B

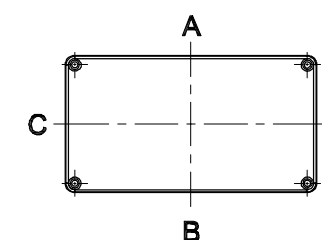
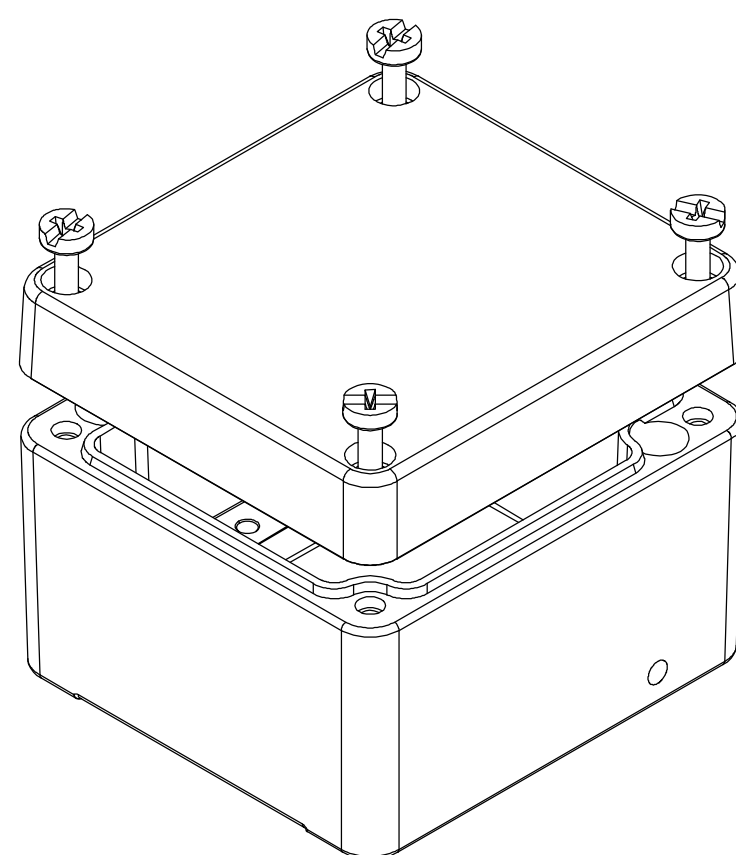
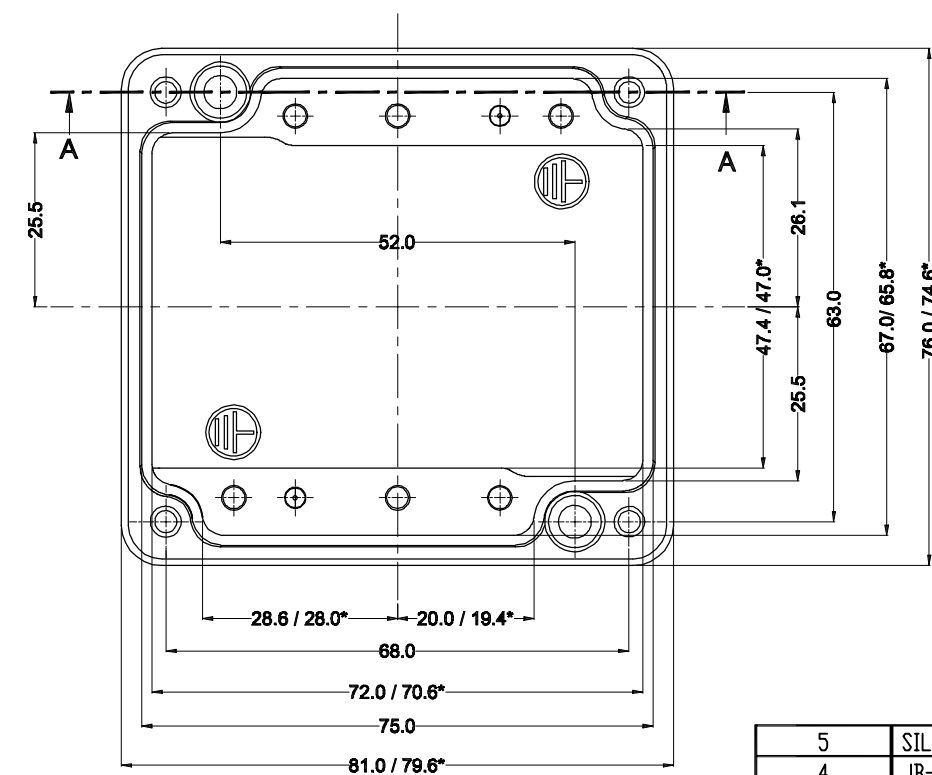


SECTION C-C



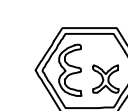
SECTION A-A

BASE



GENERAL SPECIFICATION AND AREA CLASSIFICATION:

- STANDARDS - IEC/EN 60079-0, IEC/EN 60079-7 & IEC/En 60079-31.
- MATERIAL COMPOSITION - AISI 12
- DEGREE OF PROTECTION IP66 AS PER IEC 60529 : 1989 +A1 : 2000
- GASKET MANUFACTURER - WACKER CHEMIE AG, MODEL: CENUSIL R 150 AND - CONTINUOUS OPERATING TEMPERATURE AS - 70°C TO 200°C
- MAGNESIUM, TITANIUM AND ZIRCONIUM CONTENTS ARE < 2%.
- SERVICE TEMPERATURE RANGE : - 50 °C to +135 °C
- ALL DIMENSIONS ARE IN mm. UNLESS STATED OTHERWISE.
- SURFACE WILL BE POWDER COATED.
- THE JUNCTION BOX WILL BE MARKED WITH



II 2 G Ex e IIC Gb
II 2 D Ex tb IIIC Db IP 66 IP

0539

DEMKO 13 ATEX 1327771U
IECEX UL 13.0042U

10. TRADE MARK

11. TIGHTENING TORQUE - (2-3) NM

NOT TO BE REVISED WITHOUT NOTIFICATION TO THE ExCB/NOTIFIED BODY

Opening Detail (Size)	NO OF HOLES SIDE A/B	Min. Distance between the opening for Side A/B (mm)	NO OF HOLES SIDE C/D	Min. Distance between the opening for Side C/D (mm)	Opening Detail (Size) PG	NO OF HOLES SIDE A/B	Min. Distance between the opening for Side A/B (mm)	NO OF HOLES SIDE C/D	Min. Distance between the opening for Side C/D (mm)	Min. Distance of last opening from the enclosure end on side A/B (mm)	Min. Distance of last opening from the enclosure end on side C/D (mm)
M12	2	11	3	11	Pg.7	2	11	3	11	15	16
M16	2	11	3	11	Pg.9	2	11	3	11	15	16
M20	1	-	2	9	Pg.11	1	-	2	8	24	13
M25	1	-	1	-	Pg.13.5	1	-	2	9	25	17
M32	-	-	-	-	Pg.16	1	-	1	-	25	17
M40	-	-	-	-	Pg.21	-	-	-	-	-	-
M50	-	-	-	-	Pg.29	-	-	-	-	-	-
M63	-	-	-	-	Pg.36	-	-	-	-	-	-
-	-	-	-	-	Pg.42	-	-	-	-	-	-
-	-	-	-	-	Pg.48	-	-	-	-	-	-

FINISH:
GRAY TEXTURE POWDERCOAT RAL 7001

OPTIONAL ACCESSORIES:
STEEL MOUNTING PLATE #MPX-501
ALUMINUM MOUNTING PLATE #MPX-501-A
EXTERNAL BRACKETS KIT #MTX-4503

DRAWING FOR REFERENCE
WE RESERVE THE RIGHT TO MAKE CHANGES TO OUR STANDARD PRODUCTS. PLEASE CONSULT WITH BUD INDUSTRIES PRIOR TO USING THIS DRAWING FOR DESIGN PURPOSE.

ALL DIMENSIONS ARE IN MM

SR.NO.	PART NAME	DRAWING NO.	MATERIAL	TOOL NO.	QTY.
5	SILICON GASKATE	-	SILICON	-	1
4	JB-EARTHING M4 SCREW	-	AISI 304 / AISI 316	-	4
3	JB-M4x20/7 SCREW	-	MS/304/316/COPPER	-	4
2	BASE JUNCTION BOX 75 X 80 X 57	Ex-R-758057-B	AISI 12	1-19	1
1	LID JUNCTION BOX 75 X 80 X 57	Ex-R-758057-L	AISI 12	1-20	1

B.D.M.



PART NAME

EXPLOSION PROOF ENCLOSURE

PART No.

ATX-10501
(Ex-AJB-758057)

REV. DATE

10-27-15

PROPERTY OF RaychemRPG (P) LTD.
ALL RIGHTS RESERVED AND/OR PHOTOCOPYING THIS DOCUMENT TO A PERSON WITHOUT RaychemRPG (P) LTD. WRITTEN AUTHORIZATION IS PROHIBITED