



## SSV66A000SM16

SIDE MOUNT, VERTICAL SWITCH - ON CENTRELINE



This switch is designed to give the switch level accuracy of a vertical switch, but without the need to mount the switch in the top of the tank. This can also avoid the need for a long vertical top mounted switch, as this switch can be mounted at the required level in the side of the tank.

The switch is configured to give a normally open switch action (with no liquid present) when the switch is positioned as shown in the dimensioned sketch below. The switch action can be reversed by rotating the mounting shaft by 180°.

### Features

- Switch operates at level of mounting centreline
- 50 VA switching capacity
- 316 Stainless steel material
- Horizontal mounting and vertical float movement gives accurate level detection without needing a top mounting switch.
- Suitable for use at up to 10 bar pressure



## SPECIFICATIONS

### Technical

<b>Mounting Style</b>	Internal
<b>Mounting Thread</b>	M16x2
<b>Float &amp; Stem Material</b>	316 grade SS
<b>Maximum Temperature</b>	120°C
<b>Maximum Pressure</b>	10 bar
<b>Float SG</b>	0.7
<b>Minimum Fluid SG</b>	0.8
<b>Cable Length - Standard</b>	100cm
<b>Wire</b>	17/0.10 - AWG22 Teflon insulated
<b>Cable Conductor Material</b>	Tinned copper
<b>Cable Sheath Material</b>	PVC
<b>Cable Temperature Rating</b>	125°C
<b>Sealing Gasket</b>	Nitrile
<b>Tightening Torque for Fixing Nut</b>	2.0kg/cm

### Electrical

<b>Contact Form</b>		N/O (N/C)
<b>Switching Power Max</b>	VA	50
<b>Switching Voltage AC Max</b>	V	240
<b>Switching Voltage DC Max</b>	V	240
<b>Switching Current Max</b>	A	1.0

All ratings are for resistive load only.

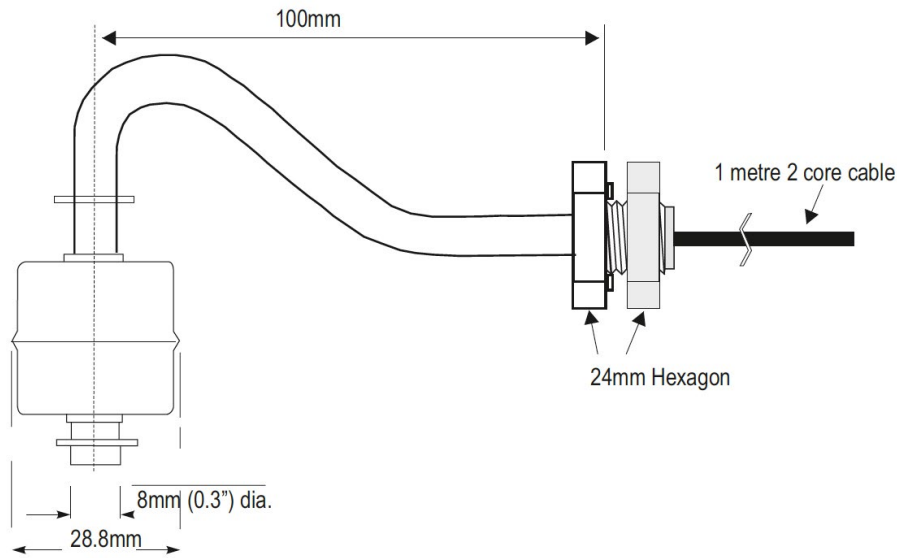
## STANDARD PARTS

	Material	Max Power	Leadouts	Gasket
<b>SSV66A000SM16</b>	SS 316	50VA	2 core Teflon insulated	Nitrile

Custom versions can be made for particular applications. Please contact Sensata with your requirements.

## DIMENSIONS

All dimensions are in millimeters.



Made in the UK

Page 2

Sensata Technologies, Inc. ("Sensata") data sheets are solely intended to assist designers ("Buyers") who are developing systems that incorporate Sensata products (also referred to herein as "components"). Buyer understands and agrees that Buyer remains responsible for using its independent analysis, evaluation and judgment in designing Buyer's systems and products. Sensata data sheets have been created using standard laboratory conditions and engineering practices. Sensata has not conducted any testing other than that specifically described in the published documentation for a particular data sheet. Sensata may make corrections, enhancements, improvements and other changes to its data sheets or components without notice.

Buyers are authorized to use Sensata data sheets with the Sensata component(s) identified in each particular data sheet. HOWEVER, NO OTHER LICENSE, EXPRESS OR IMPLIED, BY ESTOPPEL OR OTHERWISE TO ANY OTHER SENSATA INTELLECTUAL PROPERTY RIGHT, AND NO LICENSE TO ANY THIRD PARTY TECHNOLOGY OR INTELLECTUAL PROPERTY RIGHT, IS GRANTED HEREIN. SENSATA DATA SHEETS ARE PROVIDED "AS IS". SENSATA MAKES NO WARRANTIES OR REPRESENTATIONS WITH REGARD TO THE DATA SHEETS OR USE OF THE DATA SHEETS, EXPRESS, IMPLIED OR STATUTORY, INCLUDING ACCURACY OR COMPLETENESS. SENSATA DISCLAIMS ANY WARRANTY OF TITLE AND ANY IMPLIED WARRANTIES OF MERCHANTABILITY, FITNESS FOR A PARTICULAR PURPOSE, QUIET ENJOYMENT, QUIET POSSESSION, AND NON-INFRINGEMENT OF ANY THIRD PARTY INTELLECTUAL PROPERTY RIGHTS WITH REGARD TO SENSATA DATA SHEETS OR USE THEREOF.

All products are sold subject to Sensata's terms and conditions of sale supplied at [www.sensata.com](http://www.sensata.com) SENSATA ASSUMES NO LIABILITY FOR APPLICATIONS ASSISTANCE OR THE DESIGN OF BUYERS' PRODUCTS. BUYER ACKNOWLEDGES AND AGREES THAT IT IS SOLELY RESPONSIBLE FOR COMPLIANCE WITH ALL LEGAL, REGULATORY AND SAFETY-RELATED REQUIREMENTS CONCERNING ITS PRODUCTS, AND ANY USE OF SENSATA COMPONENTS IN ITS APPLICATIONS, NOTWITHSTANDING ANY APPLICATIONS-RELATED INFORMATION OR SUPPORT THAT MAY BE PROVIDED BY SENSATA.

Mailing Address: Sensata Technologies, Inc., 529 Pleasant Street, Attleboro, MA 02703, USA.

## CONTACT US

+44 (0)1202 897969  
 c3w\_sales@sensata.com  
 Cynergy3 Components Ltd.  
 7 Cobham Road,  
 Ferndown Industrial Estate,  
 Wimborne, Dorset,  
 BH21 7PE, United Kingdom